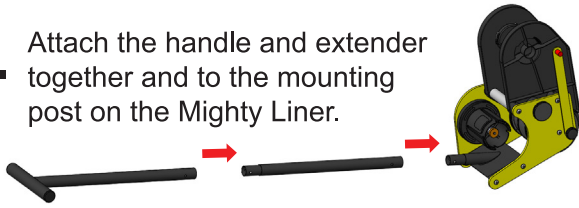
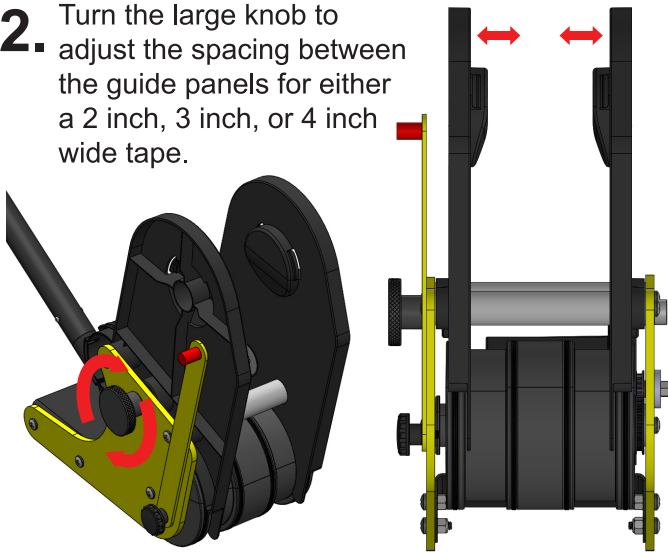


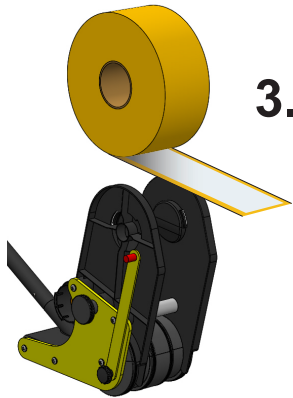
1. Attach the handle and extender together and to the mounting post on the Mighty Liner.



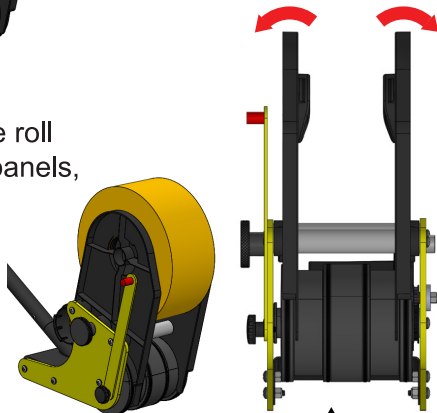
2. Turn the large knob to adjust the spacing between the guide panels for either a 2 inch, 3 inch, or 4 inch wide tape.



3. Before loading the roll into the Mighty Liner, make sure the tape unrolls off the bottom- NOT over the top

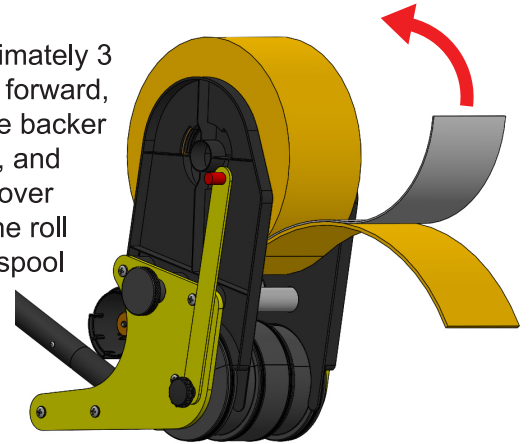


4. Insert the tape roll between the panels, making sure the round supports fit securely into the tape core.

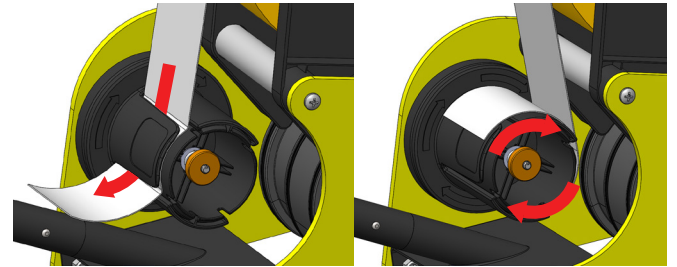


\* The panels may need to flex outward when loading the 4 inch wide tape

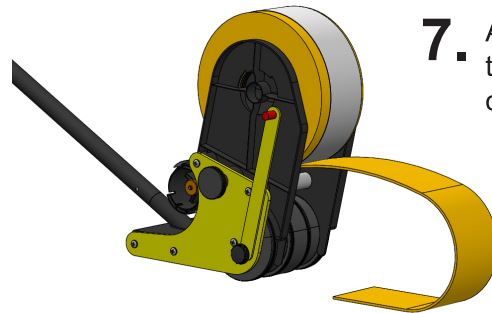
5. Pull approximately 3 feet of tape forward, and peel the backer off the tape, and pull it back over the top of the roll toward the spool



6. Feed the backer under one of the tabs on the spool. Then manually rotate the spool clockwise, making sure the spool grabs the backer so it will not slip out, as well as make sure the backer is tight against the top surface of the roll of tape.



7. Apply the tape to the floor in front of the Mighty Liner



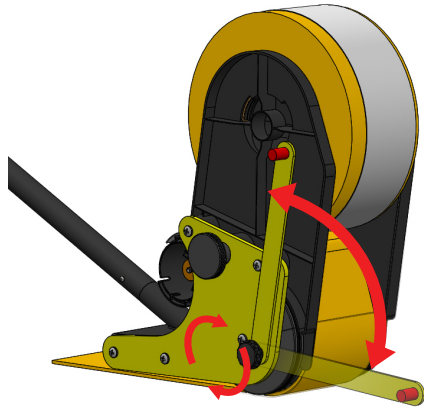
8. PICK UP the Mighty Liner and move it forward until the tape is resting taut against the roller wheel.

DO NOT ROLL the Mighty Liner forward to get the tape taut against the roller wheel.

You are now ready to apply Mighty Line Tape.

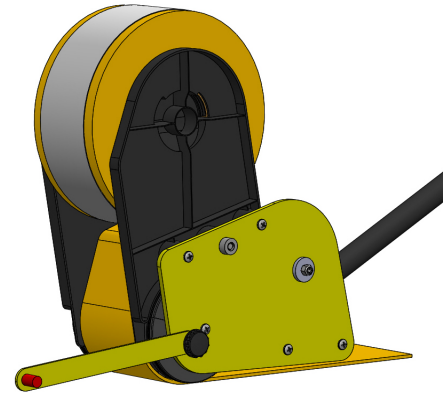


## Tape Guide:



A guide arm can be adjusted with a small knob on the side of the Trolley. This will help ensure a straight, accurate line of tape.

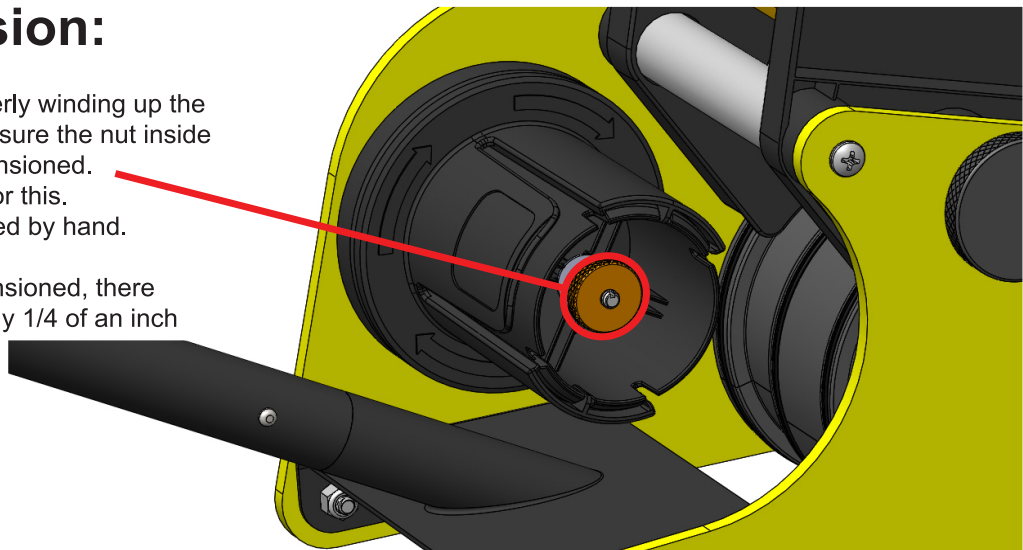
There is also another optional mounting location on the other side of the Mighty Liner to attach the guide arm if desired.



## Spool Tension:

If the spool is not properly winding up the backer, check to make sure the nut inside the spool is properly tensioned. No tools are required for this. The nut can be tightened by hand.

If the nut is properly tensioned, there should be approximately 1/4 of an inch protruding past the nut.



It is **STRONGLY RECOMMENDED** to use a chalk line, laser line, or some other kind of linear guide to ensure a straight, accurate application of the **MIGHTY LINE TAPE**.

**THE MIGHTY LINER** has been specially designed to apply and manage **MIGHTY LINE TAPE**. It can also apply several non-backed tapes as well; such as duct, vinyl, and gaffer tape, and many more.



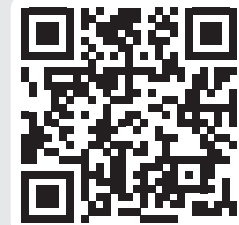
**MIGHTY LINE**  
The Only Durable Stripe® Patent No. 8,008,480

**SHIELDMARK** Inc

Text **TAPE** To:  
**797979**  
For Instructional Videos



Instructional Videos & More:  
**MightyLiner.com**



More Mighty Line 5s Products:  
**MightyLineTape.com**