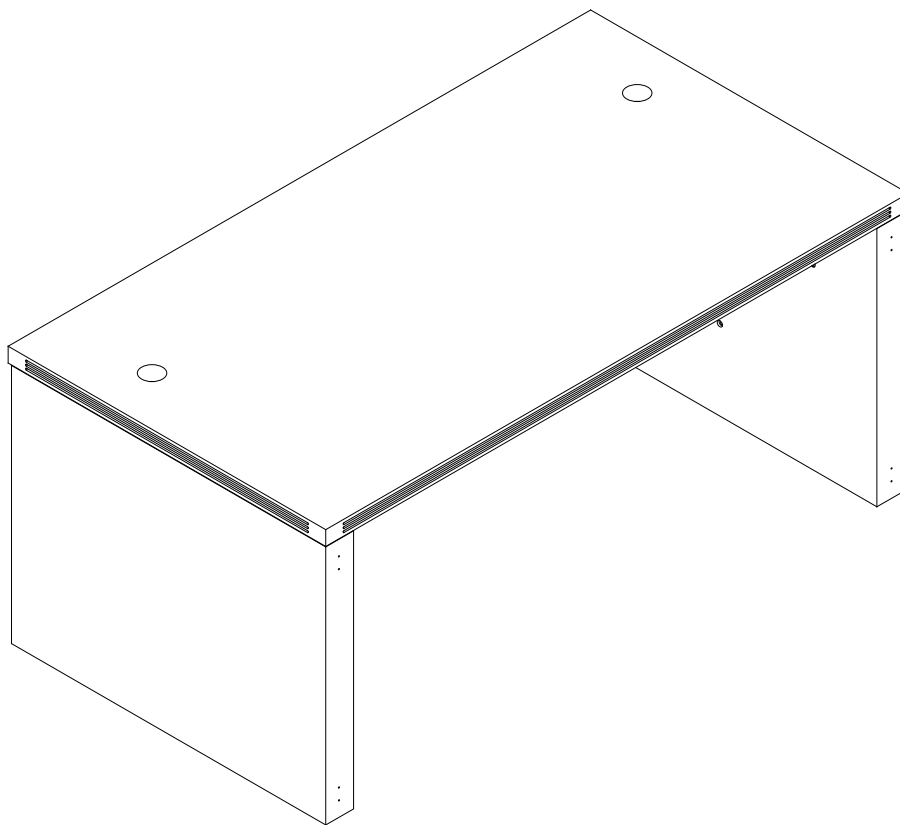


Aberdeen® Series  
Main Desk - Height Adjustable  
Model No. ARDHA7236  
ARDHA7230  
ARDHA6630  
ARDHA6030

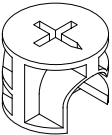

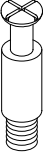
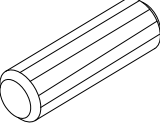
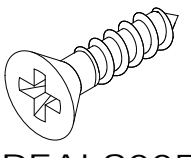



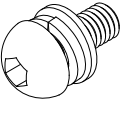
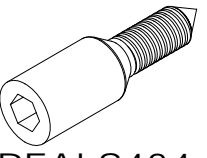
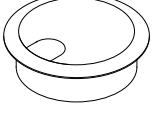
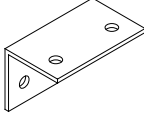
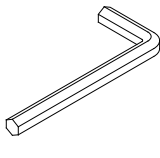
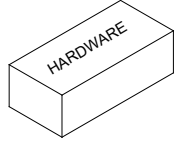
**ASSEMBLY INSTRUCTIONS**

**CALL 1-800-822-8037 FOR ASSISTANCE**

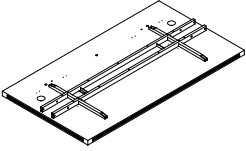
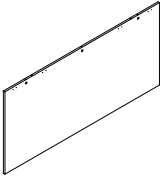
# PARTS LIST

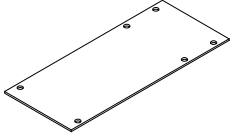
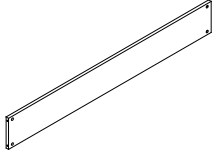
ARDHA

Name	Part	Qty.	Spare Qty
A	 REALS001 Cam Lock	8	1
B	 REALS102 Cam Sticker	8	1
C	 REALS003 Cam Post	8	1
D	 REALS004 Wood Dowel	8	1
E	 REALS005 Wood Screw Ø4*16	17	1
F	 REALS435 Allen Wrench 4mm	1	

Name	Part	Qty.	Spare Qty
G	 REALS436 M6*15	8	
H	 REALS434 M6*33	9	1
I	 REALS100 Grommet	2	
J	 <b>REALBY047</b> Corner Bracket	4	
K	 REALS084 Allen Wrench 5mm	1	
	 ABDHAHB	1	

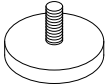
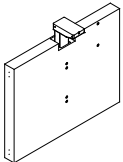
# PARTS LIST ARDHA

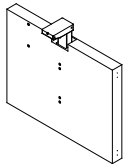
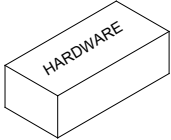
Name	Part	Qty.
L	 TOP	1
M	 Adjustable Modesty Panel	1

Name	Part	Qty.
N	 Wire Management Tray	2
O	 Fixed Modesty Panel	1

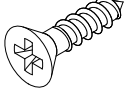
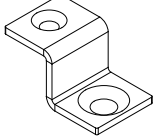
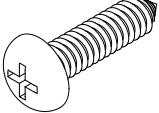
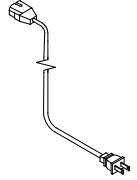
# PARTS LIST

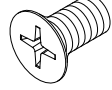
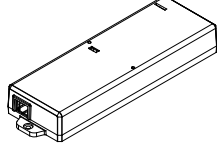
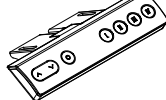
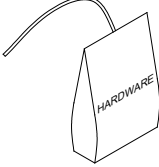
ARDBHA30 / ABDBHA

		HB
P	 <b>REALS437</b> Levelers	6
Q	 Left Leg	1

R	 Right Leg	1
	 ABDBHAHB	1

# PARTS LIST Z548/Z549

S	 REALS016 Ø4*16	HB	3	1
T	 REALS438 Z Bracket	HB	2	
U	 REALS442 Ø4x14mm	HB	3	1
V	 Power cord		1	

W	 REALS440 M6*10	HB	3	1
X	 Control box		1	
Y	 Controller		1	
	 Z548HB		1	

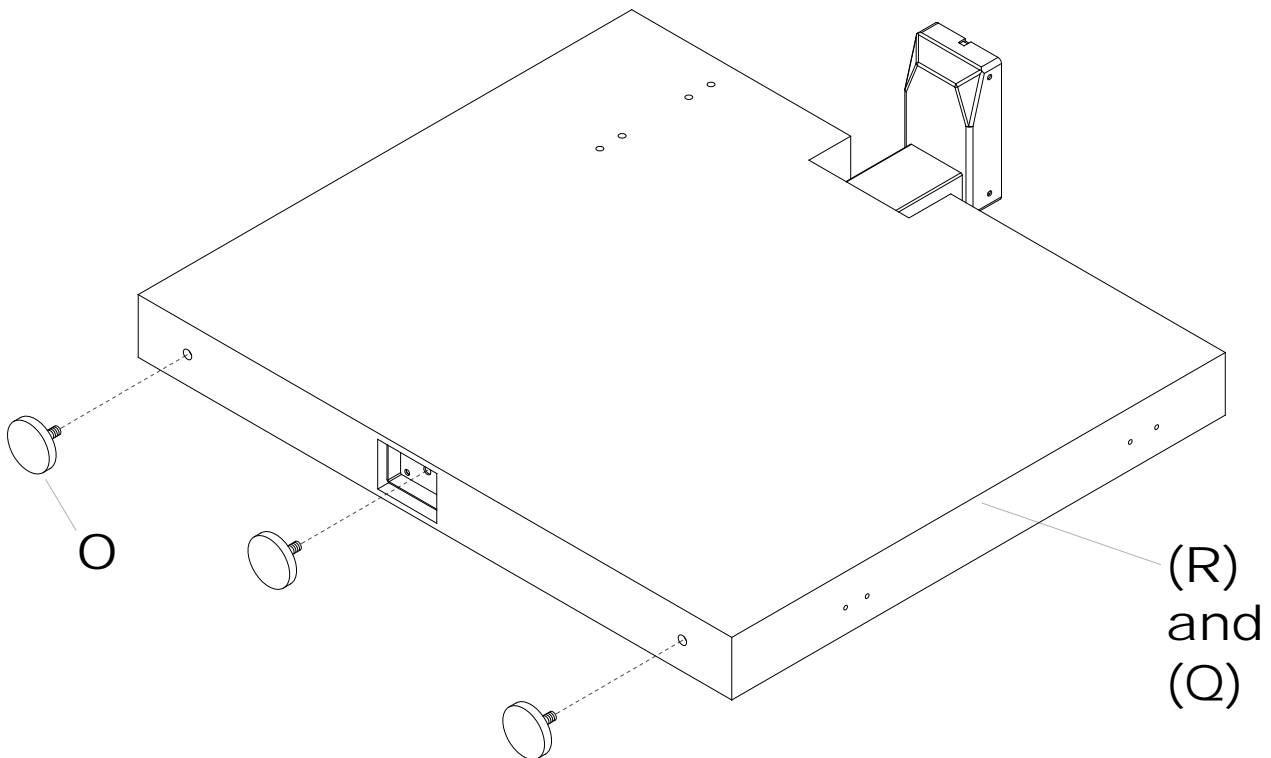
**NOTE:**

- ①. 1 Top and 2 Modesty Panel and 2 Wire Management Tray with Hardware packed in one carton  
- ABDHA7242/ABDHA6642.
- ②. 2 Legs packed in one carton
- ③. 1 Control Box and 1 Power Cord and 1 Controller in one carton

## IMPORTANT!

**Review ALL instructions before beginning assembly.** These instructions are provided to avoid problems that may occur from improper assembly or installation. Mayline and/or its distributor are not responsible for failure resulting from improper assembly or installation of this product. Moreover, all warranties are void for failure to follow these assembly instructions.

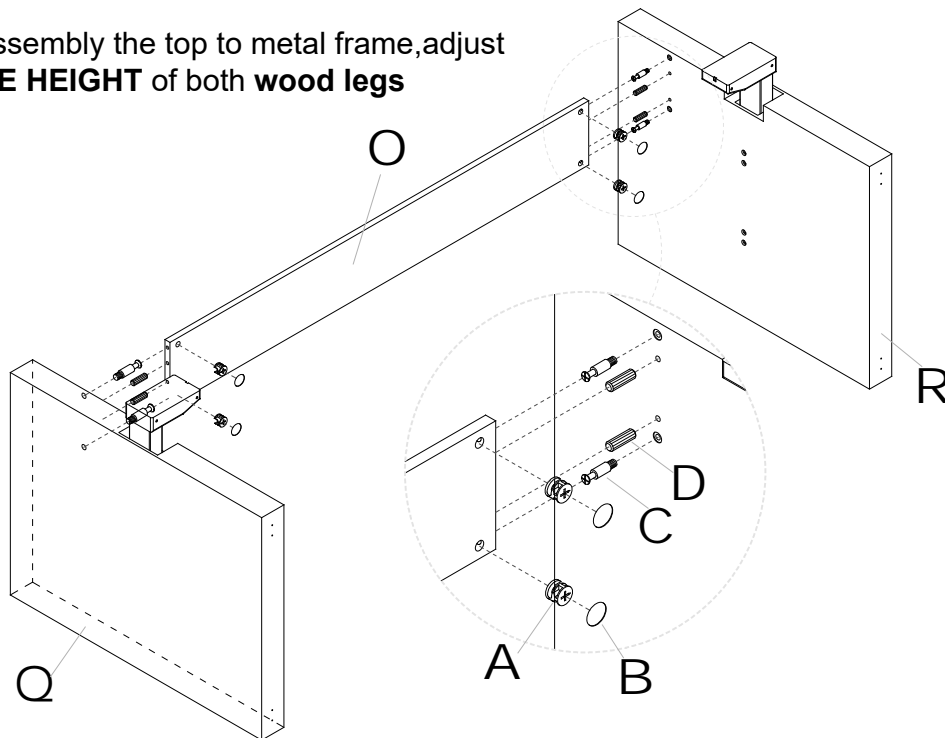
- 1 install the Levelers (P) into the Legs (R and Q).



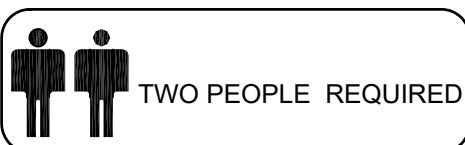
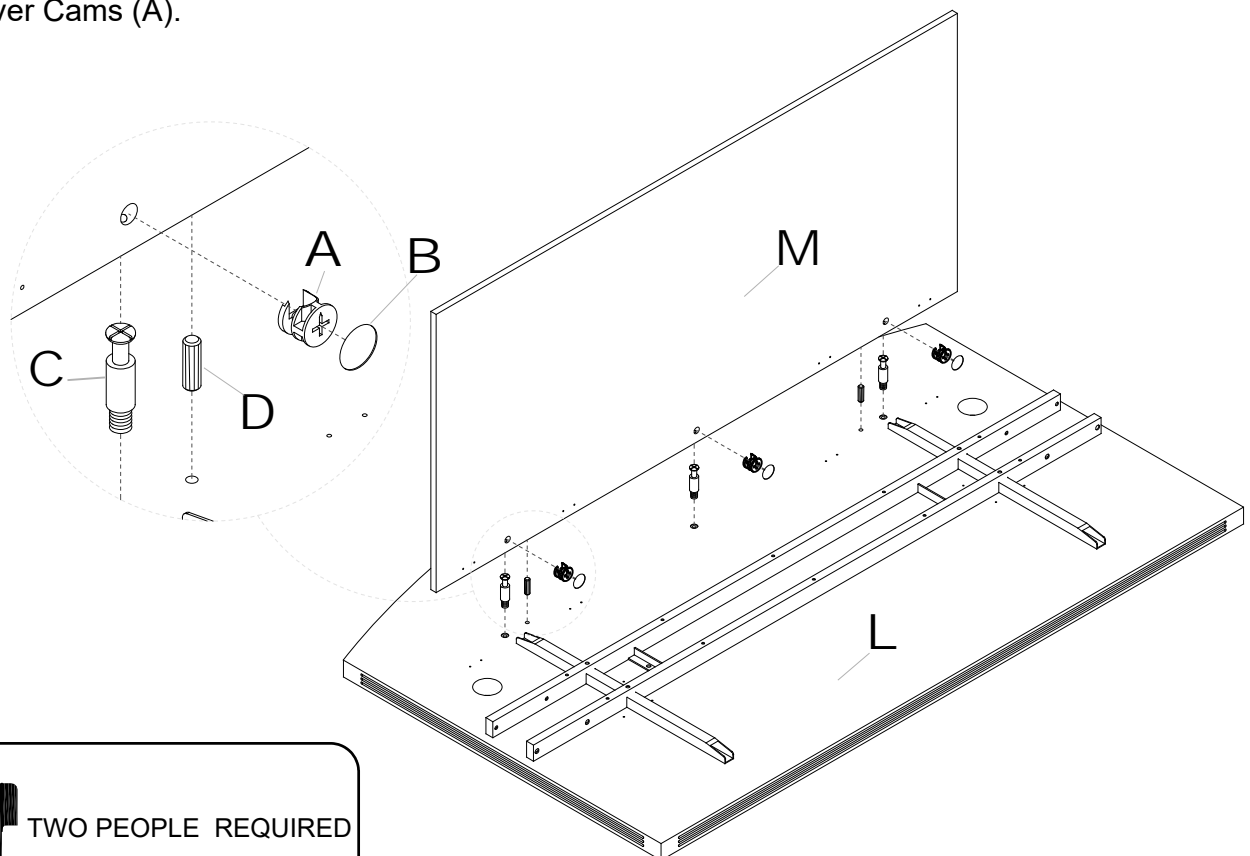
- ② Insert Cams (A) into Fixed Modesty Panel (O). Install Cam Posts (C) into threaded inserts in Top of Legs (R and Q). Attach Fixed Modesty Panel (O) to Legs (R and Q) by turning Cams (A). Attach Stickers (B) over Cams (A).

NOTE:

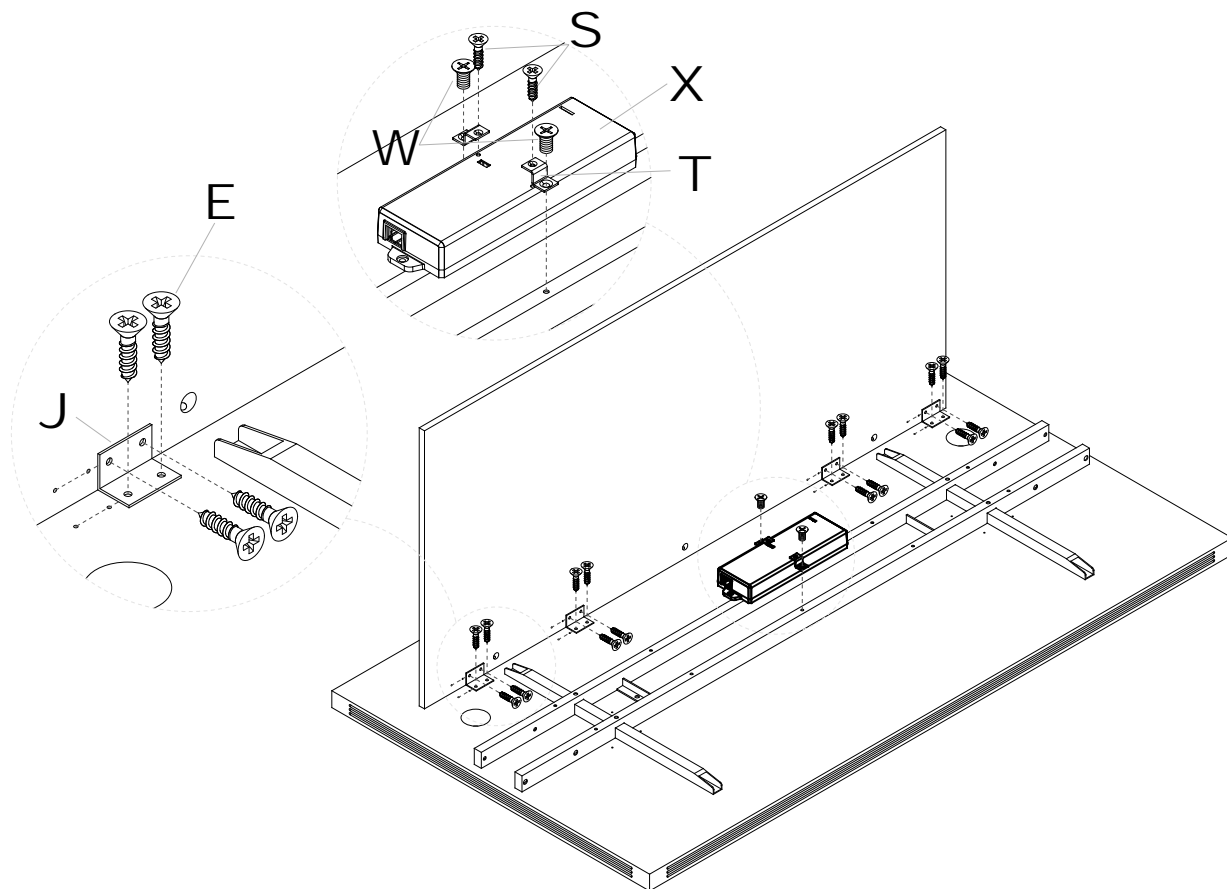
Before assembly the top to metal frame, adjust the **SAME HEIGHT** of both **wood legs**



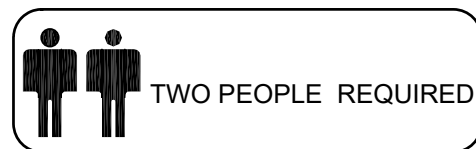
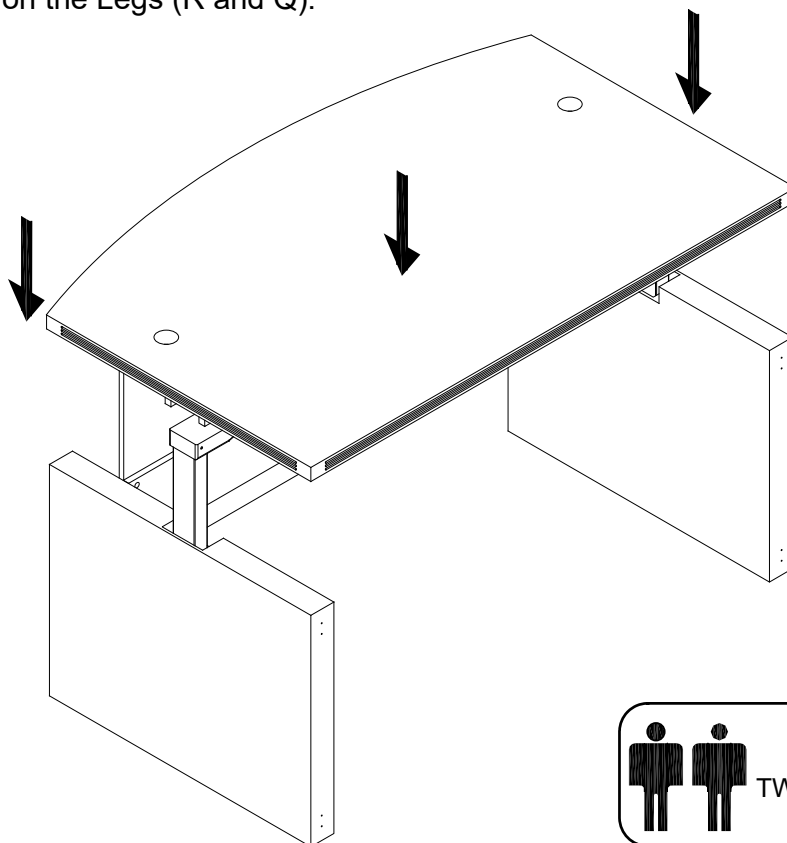
- ③ Insert Wood Dowels (D) into the Adjustable Modesty Panel (M), Insert Cams (A) into Adjustable Modesty Panel (M). Install Cam Posts (C) into the Top (L). Attach Adjustable Modesty panel (M) to top by turning Cams (A). Attach Stickers (B) over Cams (A).



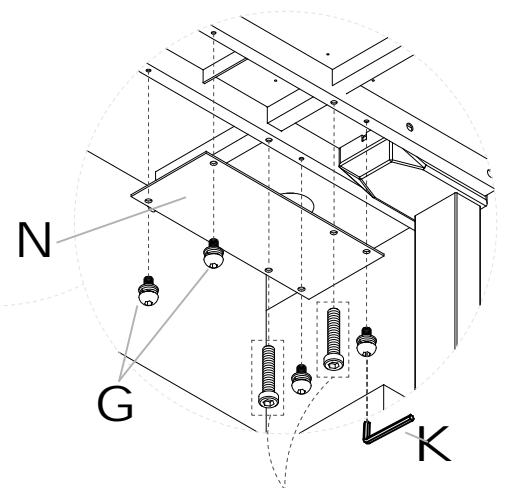
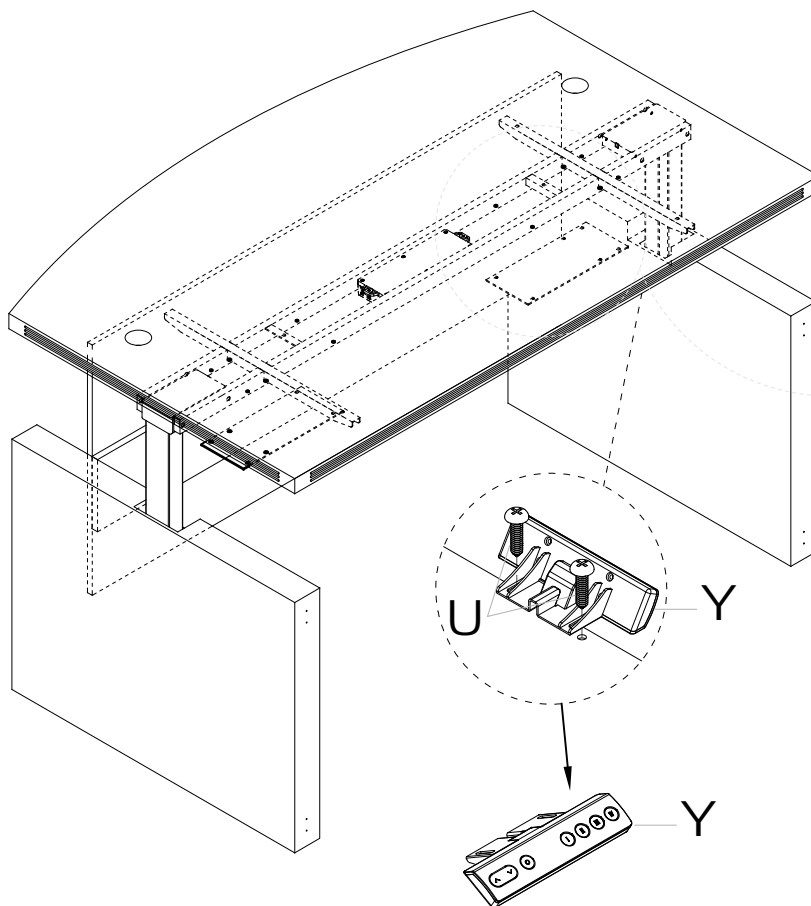
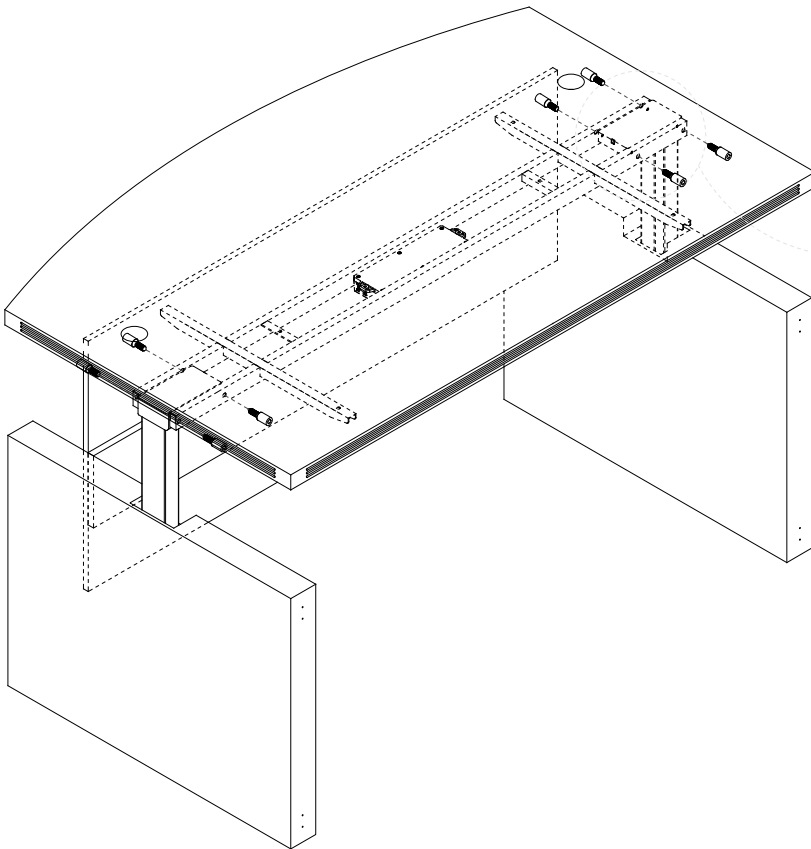
- ④ Install the Bracket (T) to the Control Box (X) by Screws (S), Install the Control Box (X) to the Top (L) by Screw (W); Install the Bracket (J) to the Adjustable Modesty Panel (M) and the Top (L) by Screw (E).



- ⑤ Put the Top (L) on the Legs (R and Q).



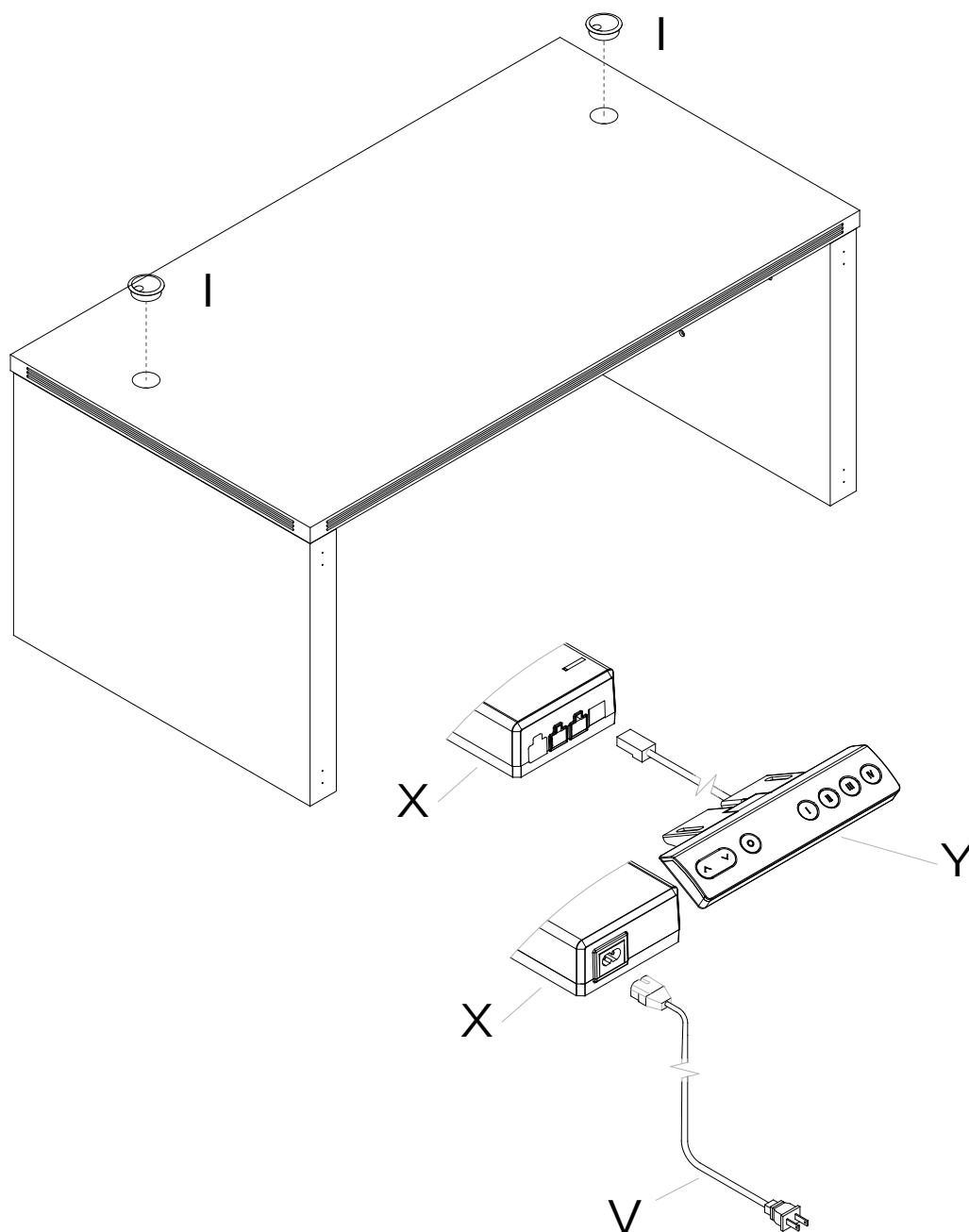
- 6 Install the Top (L) to the Legs (R and Q) by Screw (H); Put Memory Controller (Y) on desired location on front edge of top, and fasten with Screws (U).



Uninstall the Frame Mounting Screws, Qty 2, with Wrench (K).  
Install Wire Management Tray (N) to Frame using Screws (G) and Wrench (K).  
Re-install Frame Screws thru Wire Management Tray.



- 8 Put the Grommets (I) to the Top (L); Connect power for Control Box (X) using the Power Cord (V) and connect Controller (Y) into the Control Box (V); Plug Power Cord (V) into outlet and proceed with Controller Initialization. See User Manua;





Make sure no obstacles are in the desk's path.

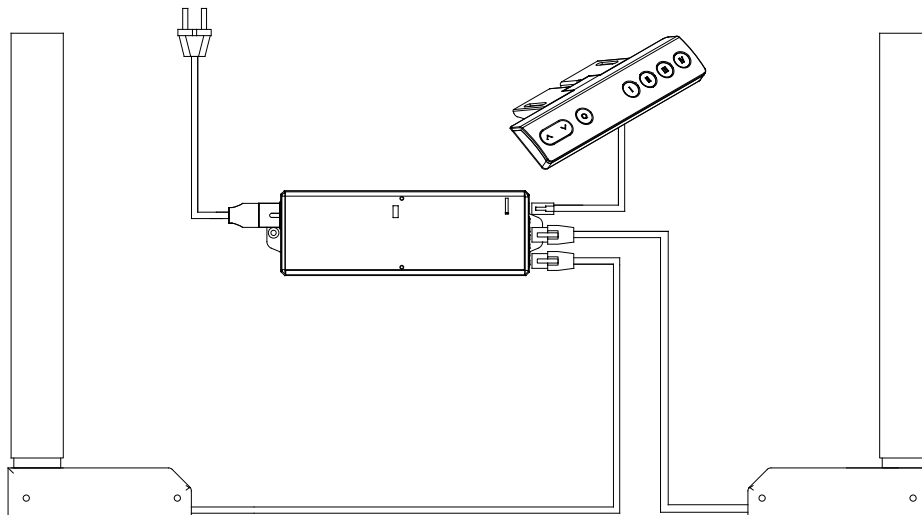
Make sure the desktop is not touching any walls.



Make sure all cords are appropriate length to accommodate the change in height.

IMPORTANT: You must INITIALIZE the desk prior to first use.

Controller Initialization- Press and hold the Down button on the controller until the desk reaches its lowest height, slightly raises, and stops. Release the down button, your desk is now ready for use. (Following the "USER MANUALS" to use your desk)



## TROUBLESHOOTING

If the table is not functioning properly it may need to be reset. Unplug the power cord for 20 seconds. Plug the power cord back in and follow the RESET procedures;

If the error message persists after the reset procedure, please contact your dealer;

If the height between the legs exceeds 1.5 inches, stop the reset procedure, please contact your dealer;