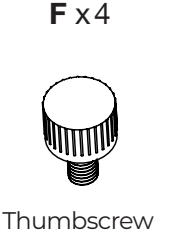
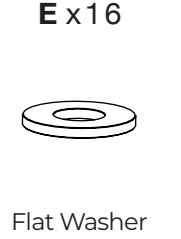
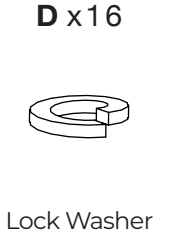
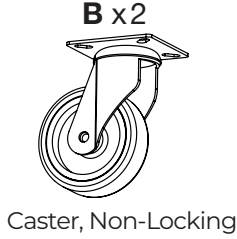
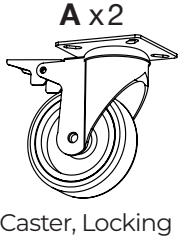
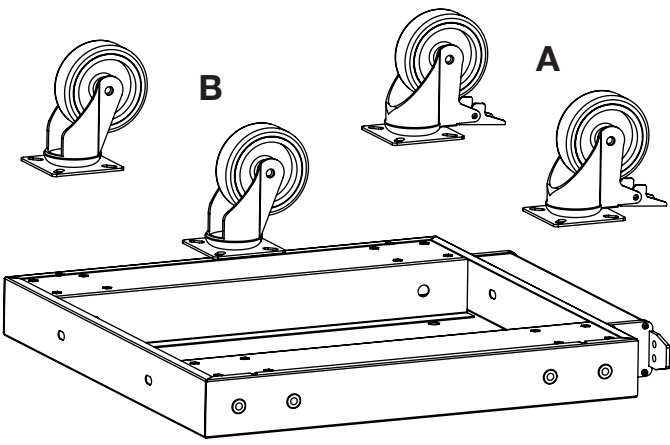


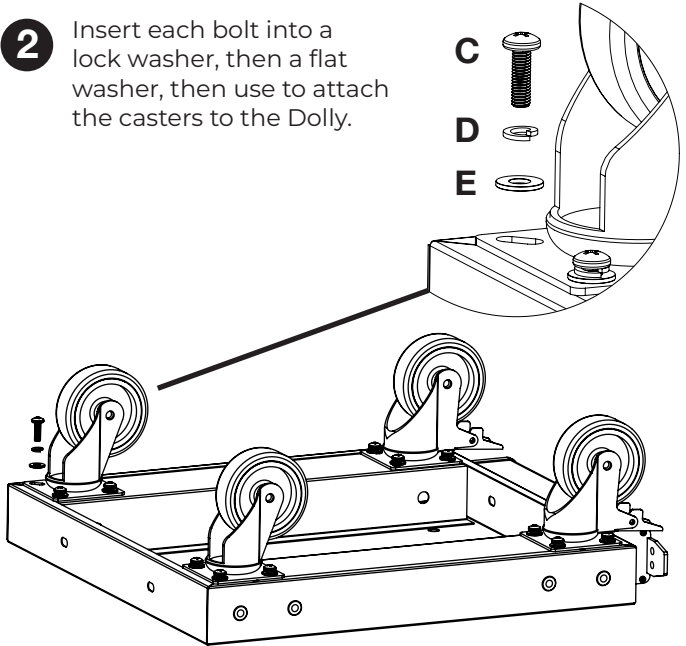
Parts Key



1 Flip the Dolly over and position the casters over the corresponding threaded mount holes.
IMPORTANT: Position the locking casters on the end next to the power strip.



2 Insert each bolt into a lock washer, then a flat washer, then use to attach the casters to the Dolly.



3 Using the thumbscrews, attach the Modular Charging Cabinet.
IMPORTANT: Position the Charging Cabinet so the cabinet door faces perpendicular to the edge of the Dolly with the power strip.

