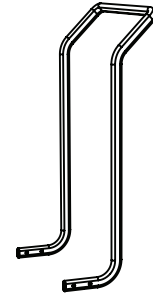


LLMCPH Modular Charging Cabinet – Dolly Handle Assembly Instructions

Parts Key

B x4

A x1



Handle



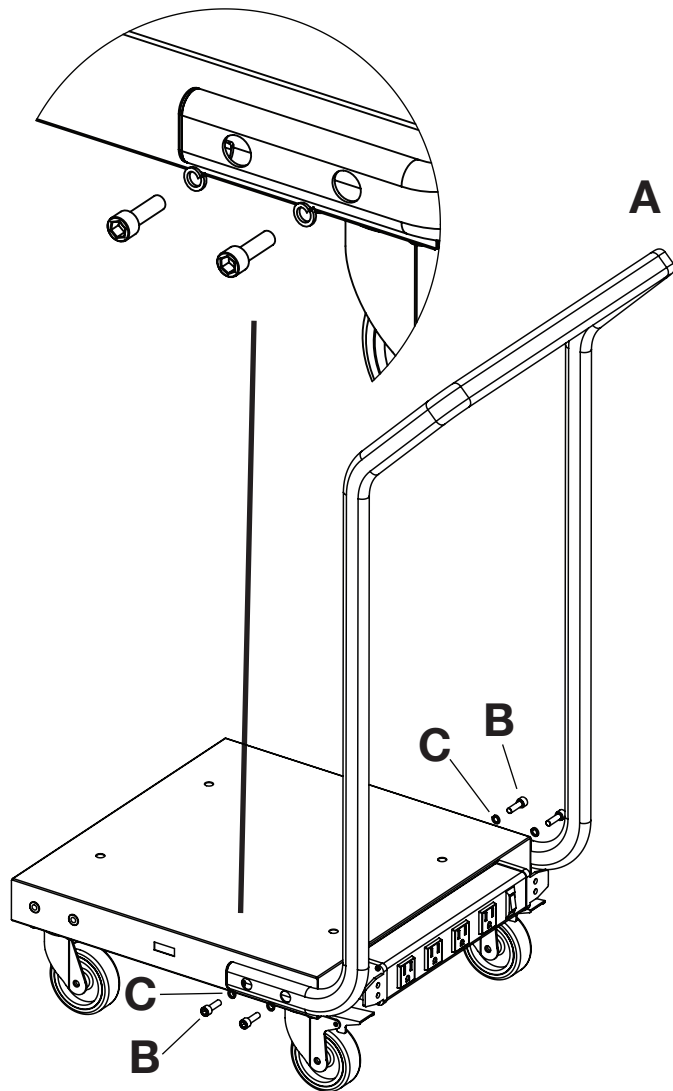
Bolt, Socket Head

C x4



Split Washer

- 1 Line the handle up with the corresponding threaded mount holes on the sides of the Dolly.
NOTE: While the handle can be attached to either end, it's generally best to attach the handle to the end with the power strip and caster locks.



- 2 Use the socket head bolts and split washers to attach the handle to the Dolly.

