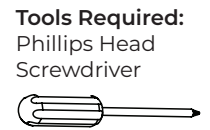
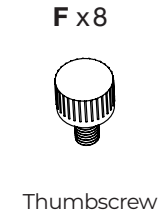
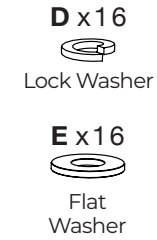
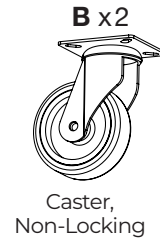
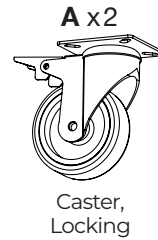
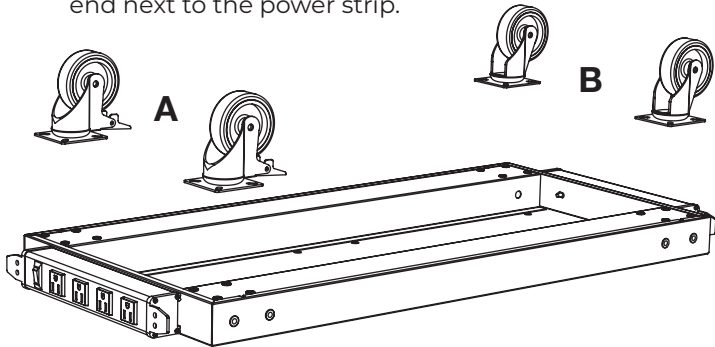


LLMCDP Modular Charging Cabinet - Double Dolly Assembly Instructions

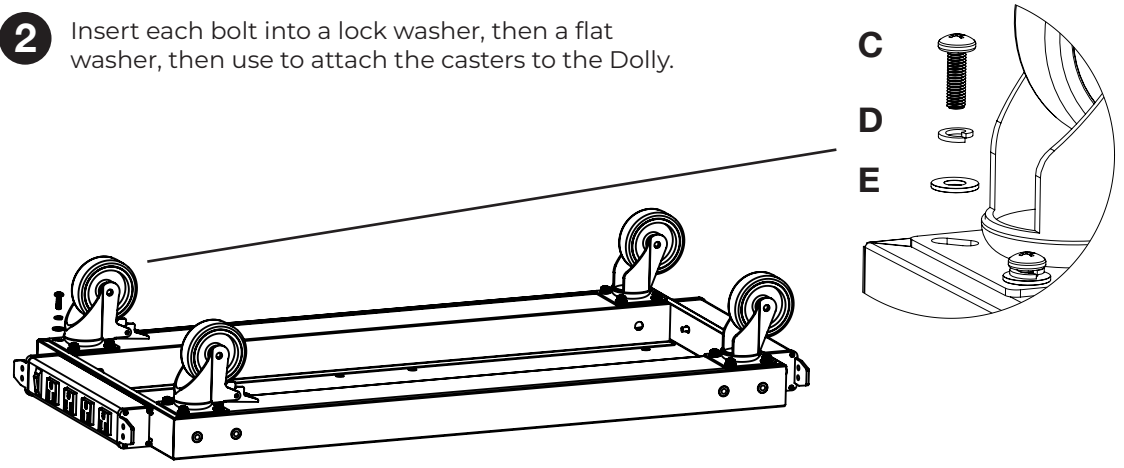
Parts Key



- 1** Flip the Dolly over and position the casters over the corresponding threaded mount holes.
- IMPORTANT:** Position the locking casters on the end next to the power strip.



- 2** Insert each bolt into a lock washer, then a flat washer, then use to attach the casters to the Dolly.



- 3** Using the thumbscrews, attach the Modular Charging Cabinets.
- IMPORTANT:** Position the Charging Cabinets so the cabinet doors face perpendicular to the edges of the Dolly with the power strips.

