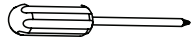


LUXOR WORKSPACES

www.luxorworkspaces.com
800-323-4656

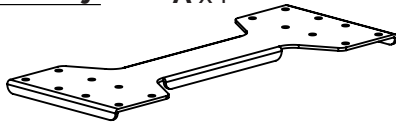
LLMCDC Modular Charging Cabinet - Dolly Connection Plate Assembly Instructions

Tools Required:
Phillips Head Screwdriver



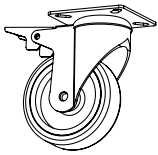
* Phillips head bolts come with the Dolly assemblies.
** Thumbscrews come with the Modular Charging Cabinet assemblies.

Parts Key A x 1



Connection Plate

B x 4



Caster,
Locking

C x 4



Caster,
Non-Locking

D x 32



Bolt,
Phillips Head

E x 32



Lock Washer

F x 32



Flat
Washer

G x 8

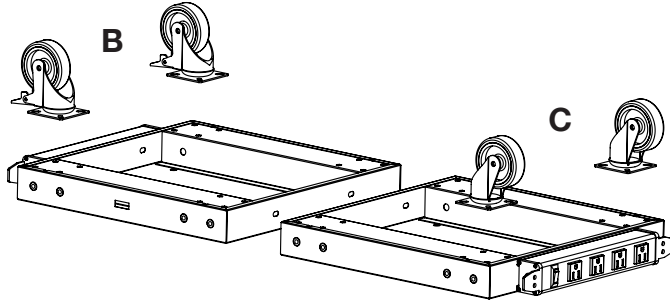


Thumbscrew

1

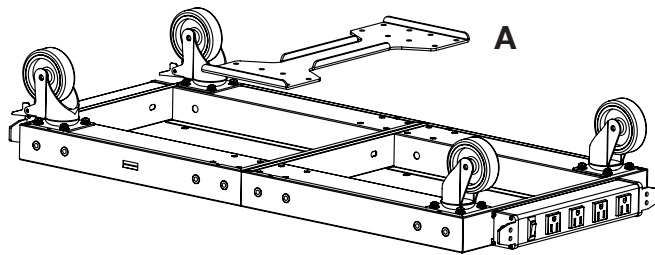
Flip the Dollies over, position them end-to-end with the power strips facing out, and position the casters at each corner over the corresponding threaded mount holes.

IMPORTANT: Position at least one set of locking casters on one end. If desired, you can place a locking caster at all four corners.



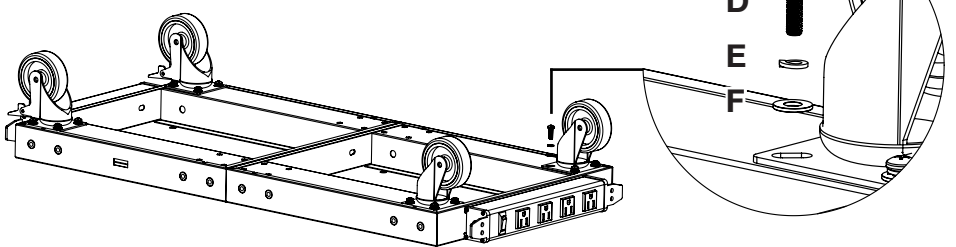
2

Position the Connection Plate over the corresponding threaded mount holes where the two Dollies are joined.



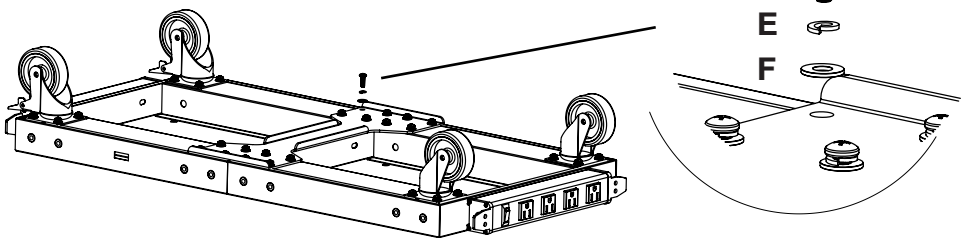
3

Insert each bolt into a lock washer, then a flat washer, then use 16 bolts to attach the casters to the Dollies.



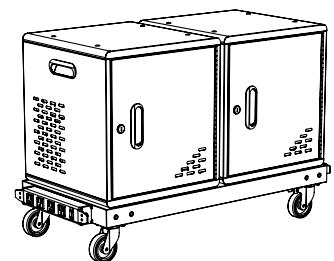
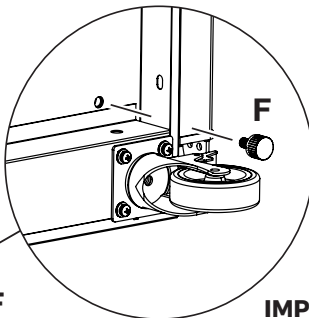
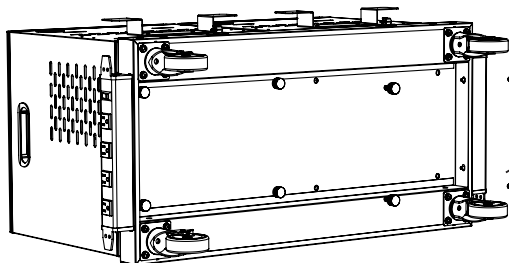
4

Use the remaining 16 bolts to attach Connection Plate to the Dollies.



5

Using the thumbscrews, attach the Modular Charging Cabinets.



IMPORTANT: Position the Charging Cabinets so the cabinet doors face perpendicular to the power strips.