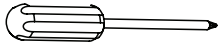


LUXOR WORKSPACES

www.luxorworkspaces.com
800-323-4656

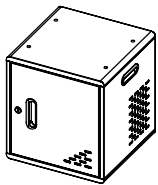
LLMC10 Modular Charging Cabinet Assembly Instructions

Tools Required:
Phillips Head Screwdriver



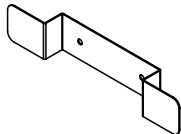
Parts Key

A x1



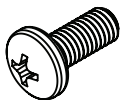
Charging Cabinet

B x1



Cord Wrap

C x2



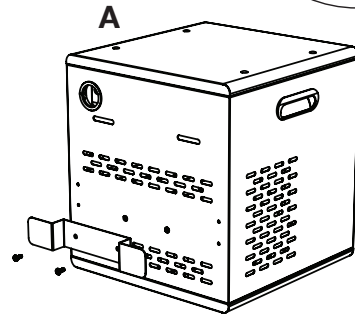
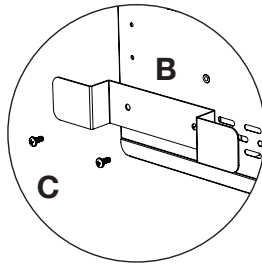
Bolt,
Phillips Head

D x4

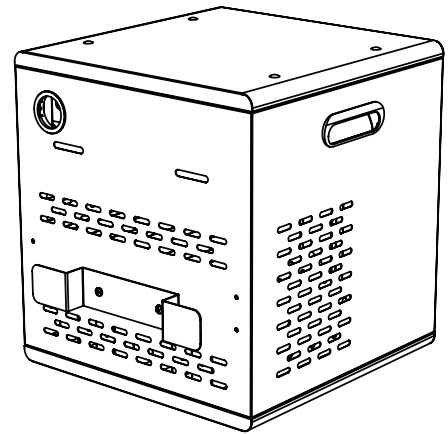


Thumbscrew

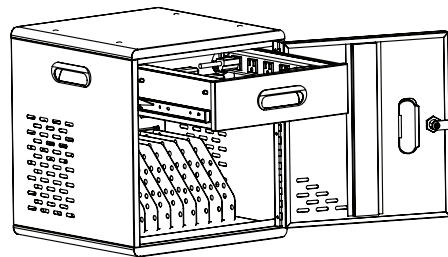
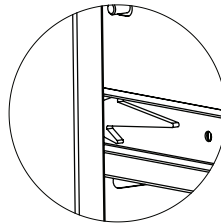
- 1** Position cord wrap on the rear of the cabinet, over the corresponding threaded mount holes.



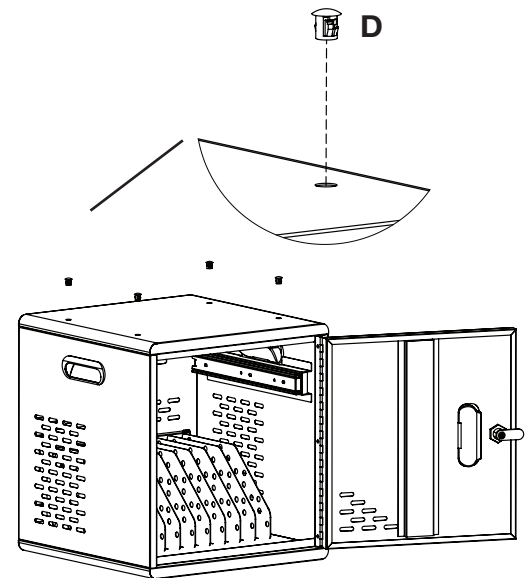
- 2** Insert each bolt into a lock washer, then a flat washer, then use to attach the casters to the Dolly.



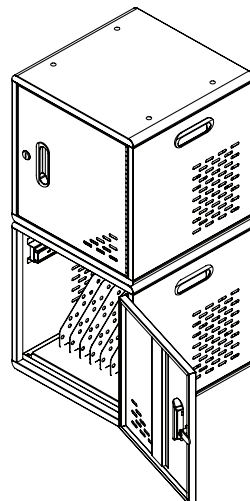
- 3** Remove the drawer from the bottom/lower cabinet by pressing the release lever on each side of the drawer track.



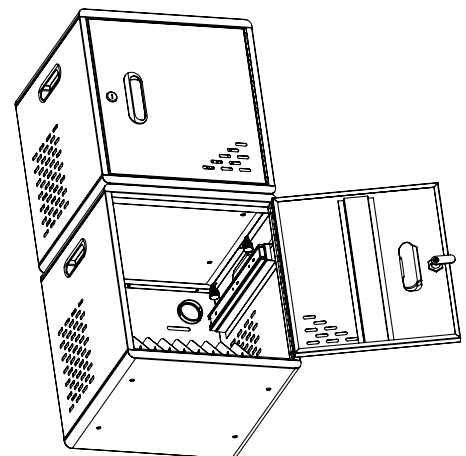
- 4** Remove the rubber caps from the top of the cabinet.



- 5** Position a second cabinet on top, aligning the threaded mount holes.



- 6** Using the thumbscrews attach the lower Cabinet to the upper Cabinet.

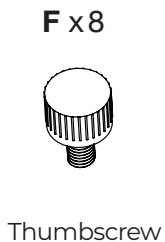
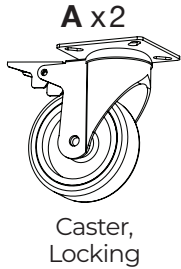


**LLMCDP
Modular Charging
Cabinet – Double Dolly**
Assembly Instructions

Tools Required:
Phillips Head Screwdriver

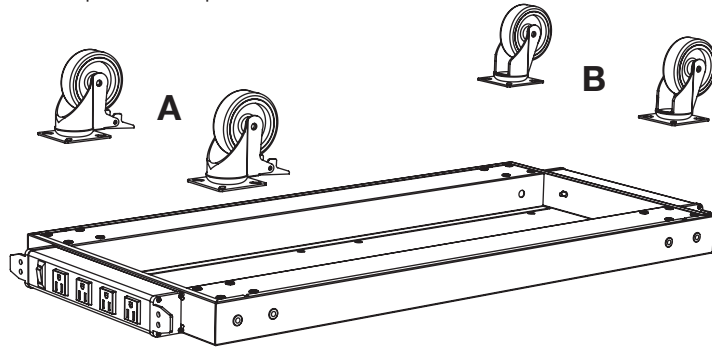


Parts Key

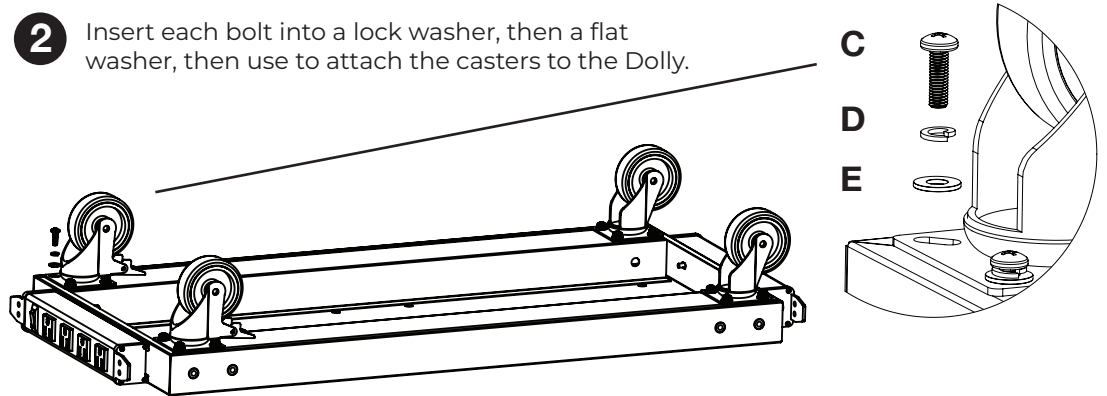


1 Flip the Dolly over and position the casters over the corresponding threaded mount holes.

IMPORTANT: Position the locking casters on the end next to the power strip.

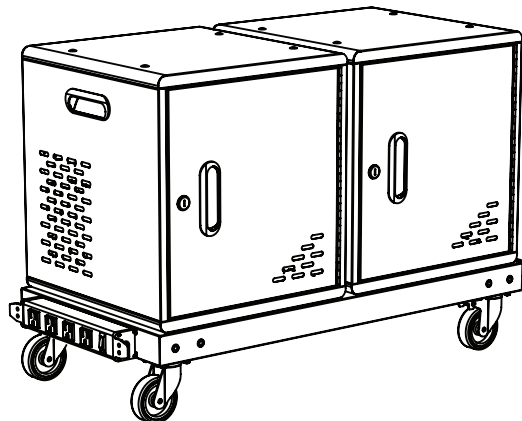
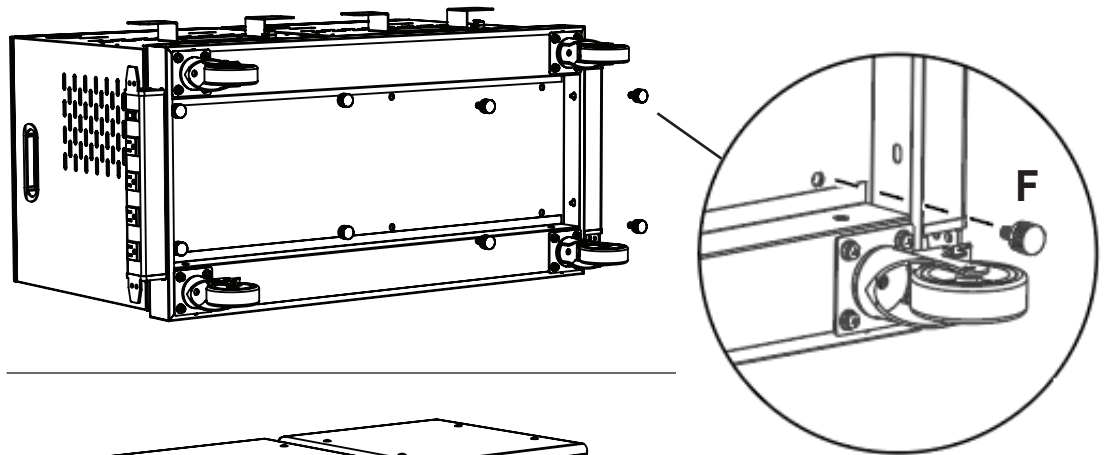


2 Insert each bolt into a lock washer, then a flat washer, then use to attach the casters to the Dolly.



3 Using the thumbscrews, attach the Modular Charging Cabinets.

IMPORTANT: Position the Charging Cabinets so the cabinet doors face perpendicular to the edges of the Dolly with the power strips.

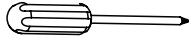


LUXOR WORKSPACES

www.luxorworkspaces.com
800-323-4656

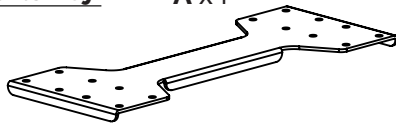
LLMCDC Modular Charging Cabinet - Dolly Connection Plate Assembly Instructions

Tools Required:
Phillips Head Screwdriver



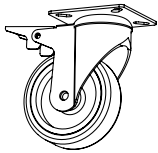
* Phillips head bolts come with the Dolly assemblies.
** Thumbscrews come with the Modular Charging Cabinet assemblies.

Parts Key A x 1



Connection Plate

B x 4



Caster,
Locking

C x 4



Caster,
Non-Locking

D x 32



Bolt,
Phillips Head

E x 32



Lock Washer

F x 32



Flat
Washer

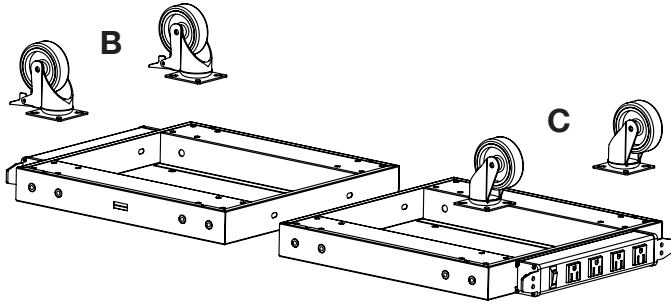
G x 8



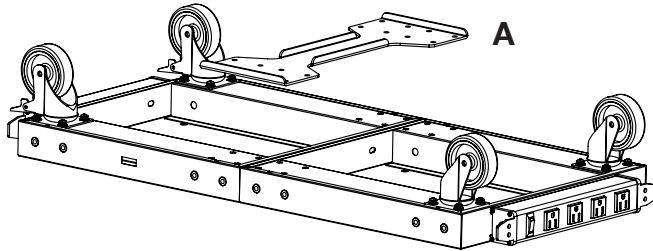
Thumbscrew

- 1 Flip the Dollies over, position them end-to-end with the power strips facing out, and position the casters at each corner over the corresponding threaded mount holes.

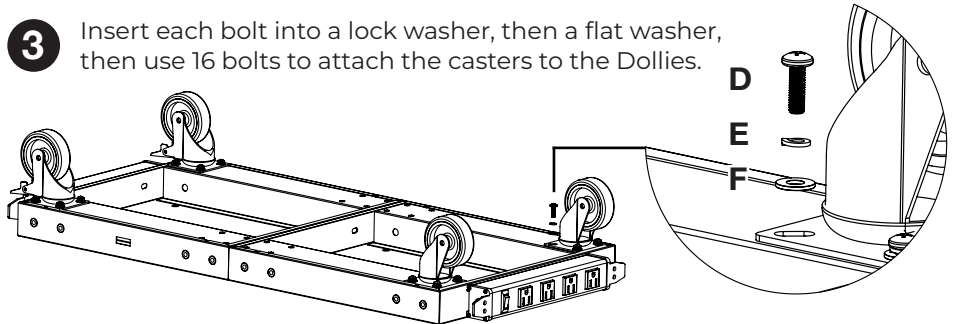
IMPORTANT: Position at least one set of locking casters on one end. If desired, you can place a locking caster at all four corners.



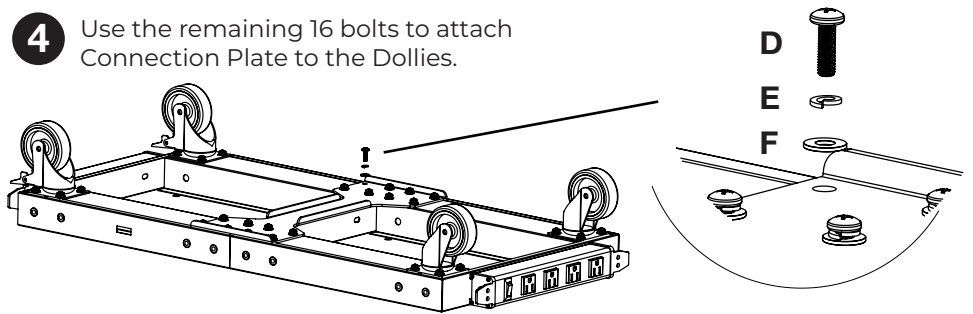
- 2 Position the Connection Plate over the corresponding threaded mount holes where the two Dollies are joined.



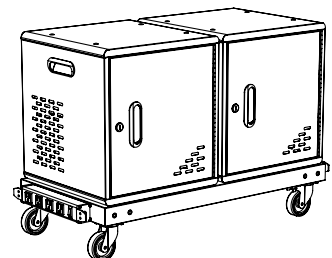
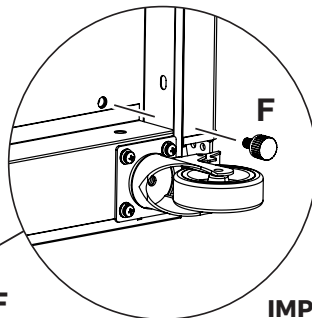
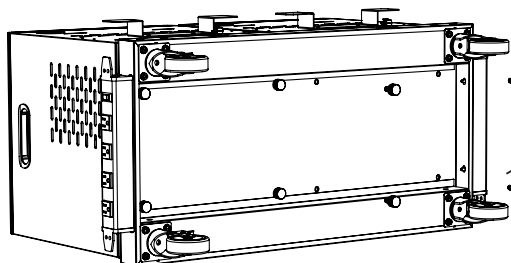
- 3 Insert each bolt into a lock washer, then a flat washer, then use 16 bolts to attach the casters to the Dollies.



- 4 Use the remaining 16 bolts to attach Connection Plate to the Dollies.



- 5 Using the thumbscrews, attach the Modular Charging Cabinets.

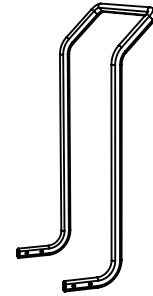


IMPORTANT: Position the Charging Cabinets so the cabinet doors face perpendicular to the power strips.

LLMCPH Modular Charging Cabinet – Dolly Handle Assembly Instructions

Parts Key

A x1



Handle

B x4



Bolt, Socket Head

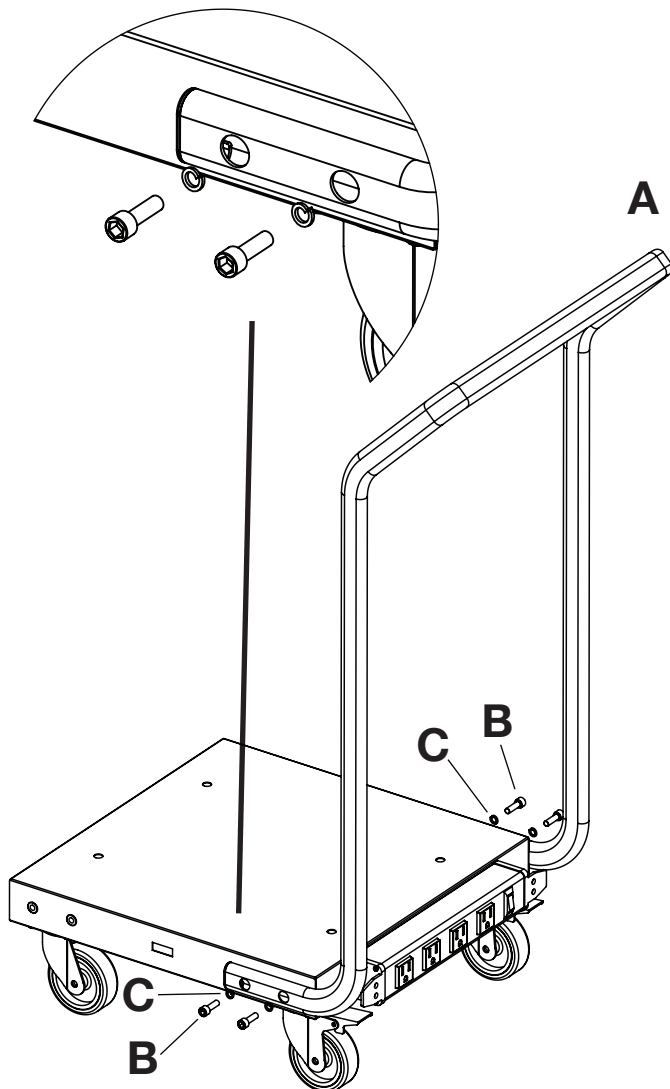
C x4



Split Washer

- 1 Line the handle up with the corresponding threaded mount holes on the sides of the Dolly.

NOTE: While the handle can be attached to either end, it's generally best to attach the handle to the end with the power strip and caster locks.



- 2 Use the socket head bolts and split washers to attach the handle to the Dolly.

