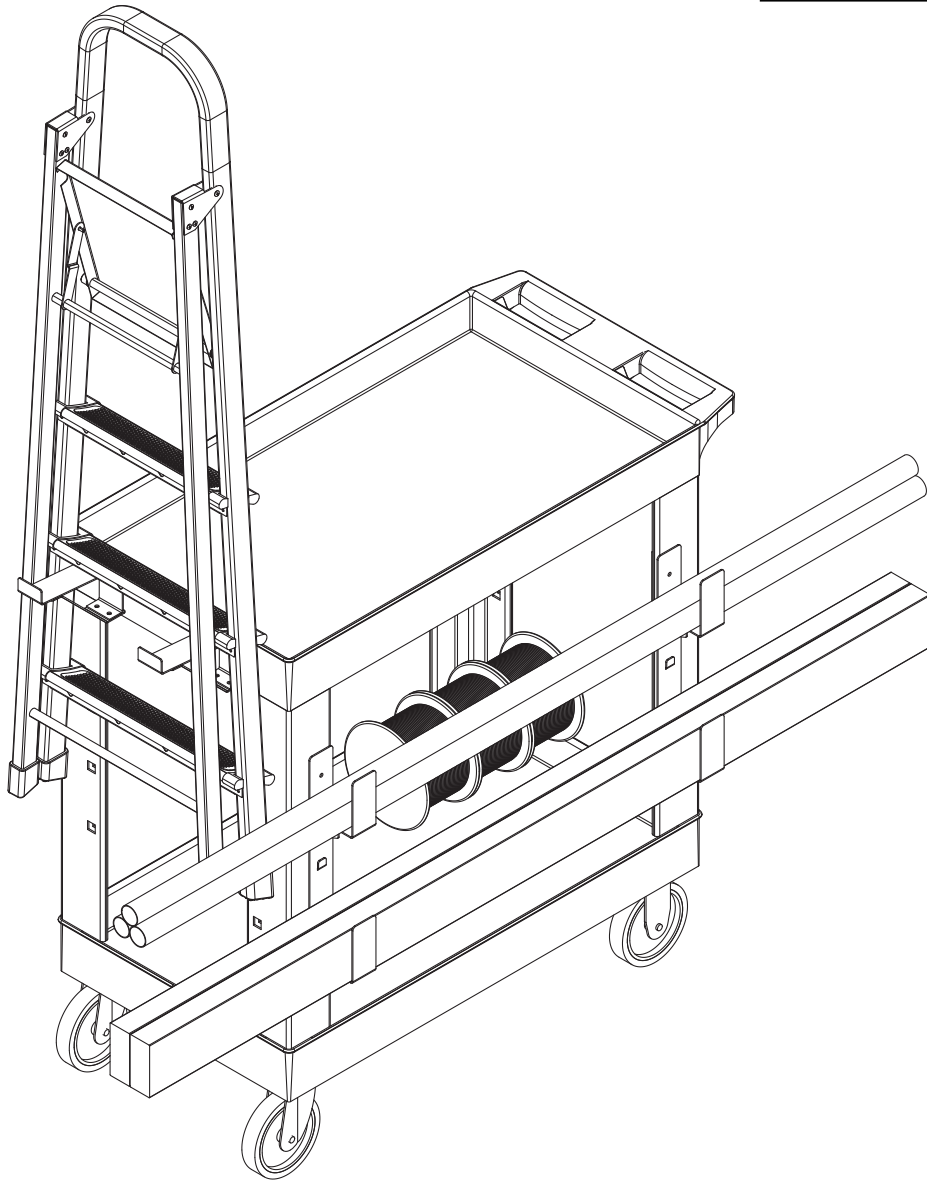


# EC INDUSTRIAL CART

Ladder, pipe, lumber, and spools not included.



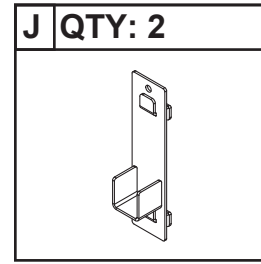
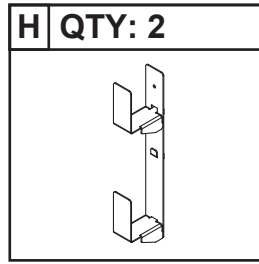
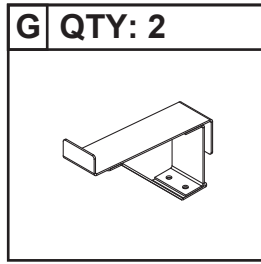
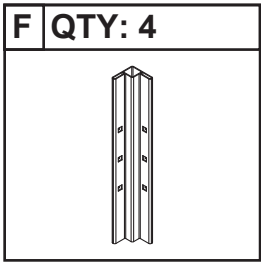
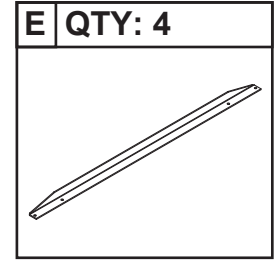
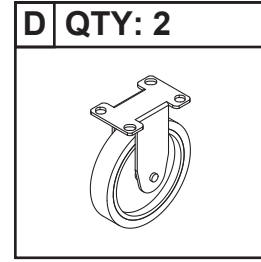
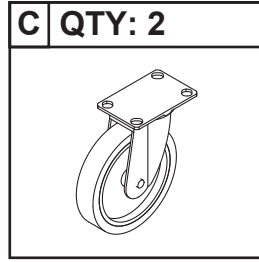
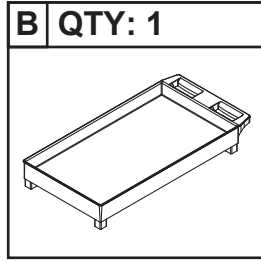
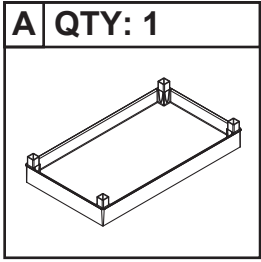
**LUXOR**

Questions or concerns?  
Contact us directly!

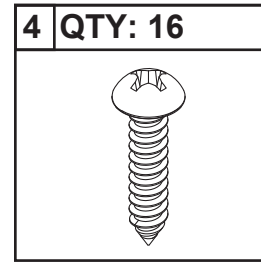
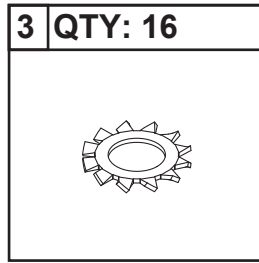
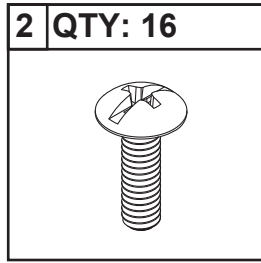
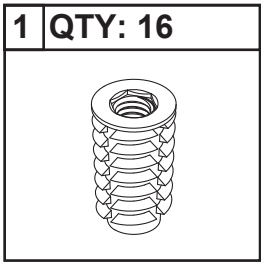


1-800-323-4656  
Info@LuxorFurn.com

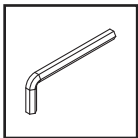
# PARTS INCLUDED NOT TO SCALE



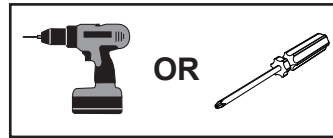
# HARDWARE INCLUDED NOT TO SCALE



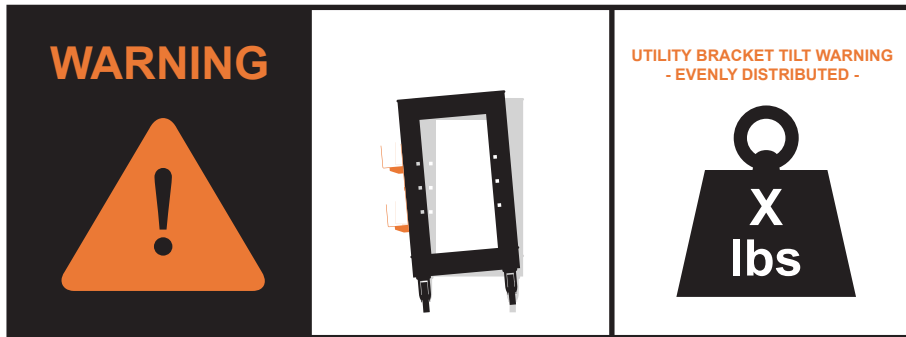
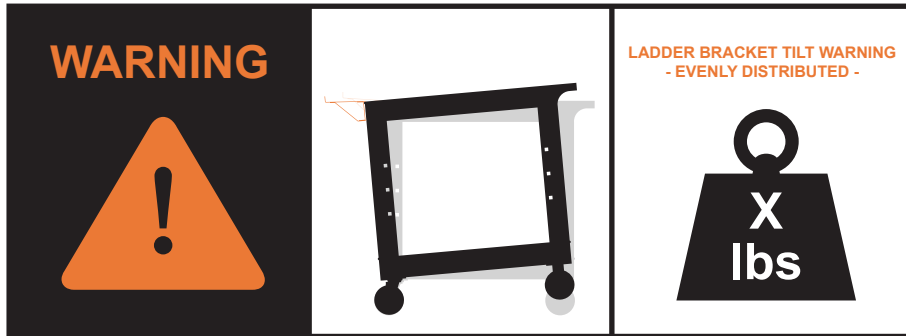
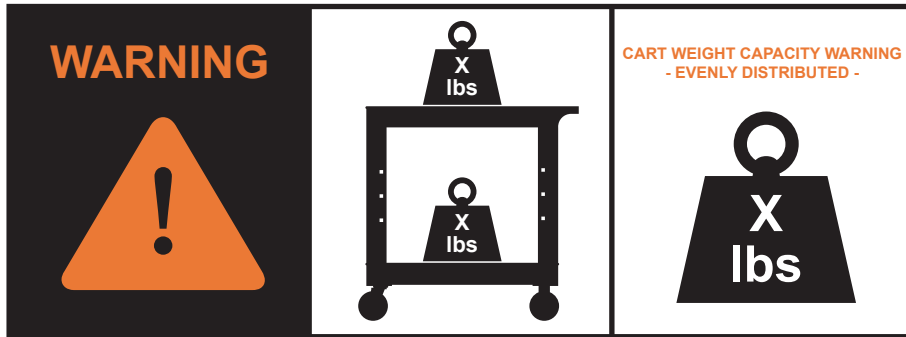
# TOOLS INCLUDED



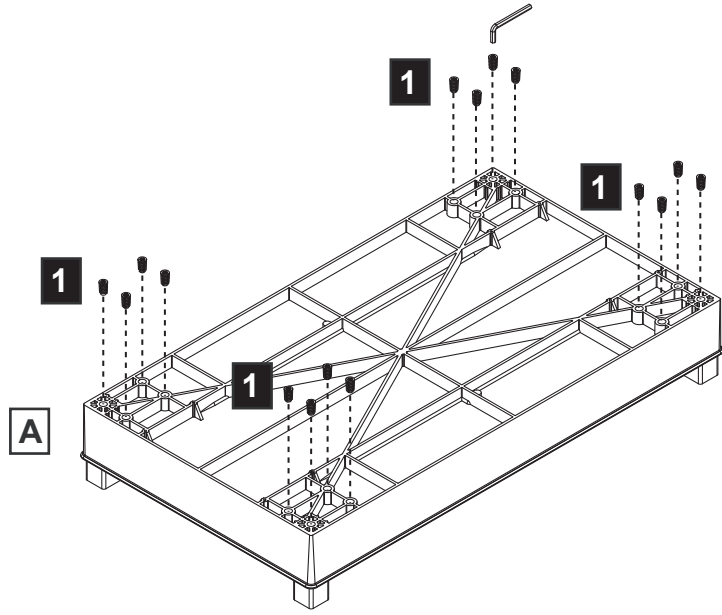
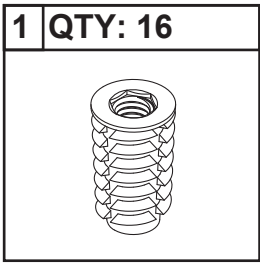
# TOOLS REQUIRED



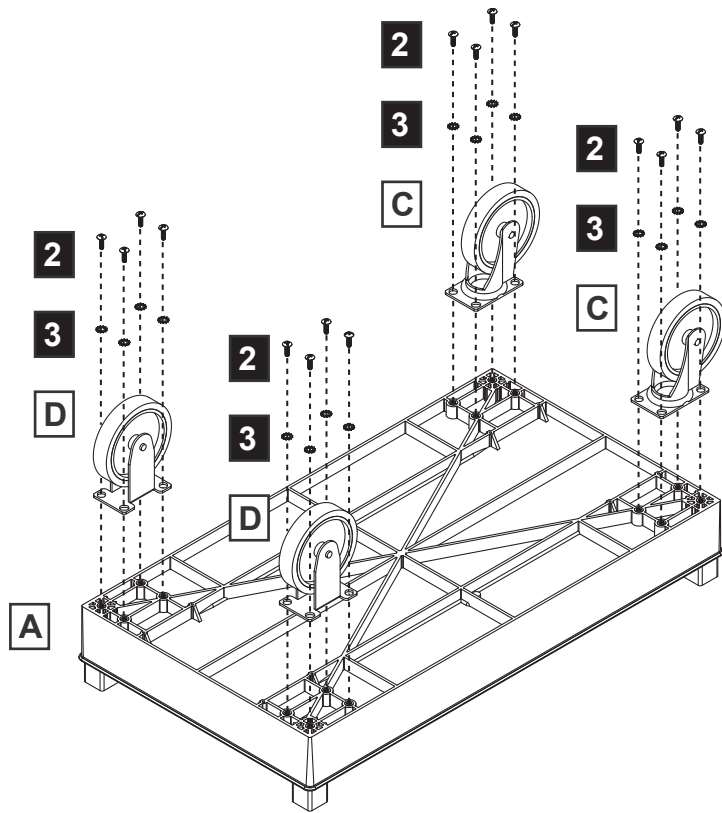
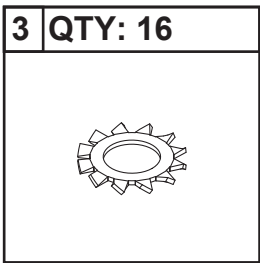
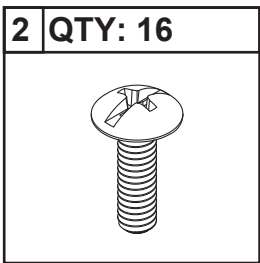
# WARNING NOTES



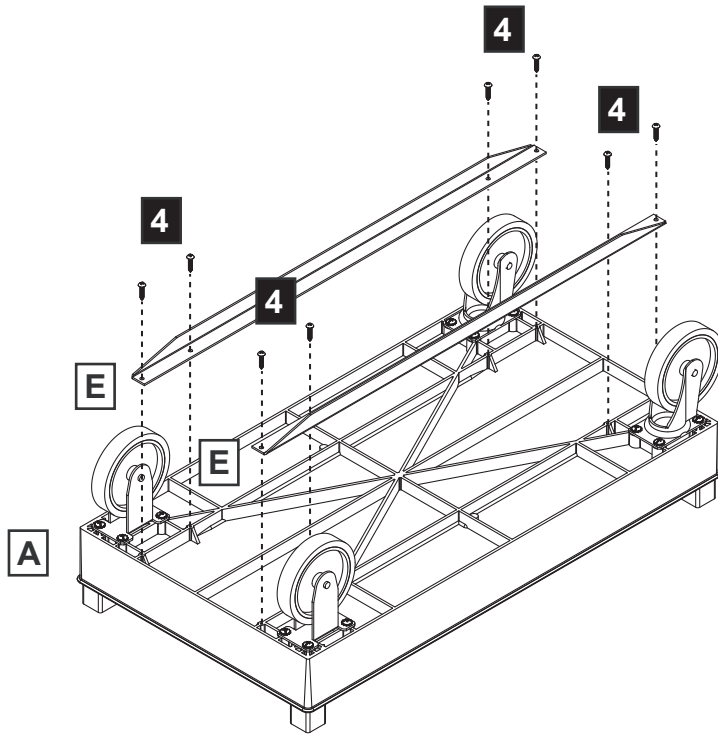
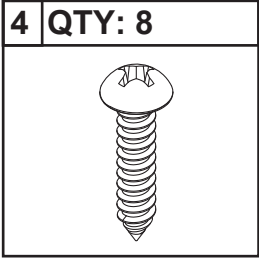
1



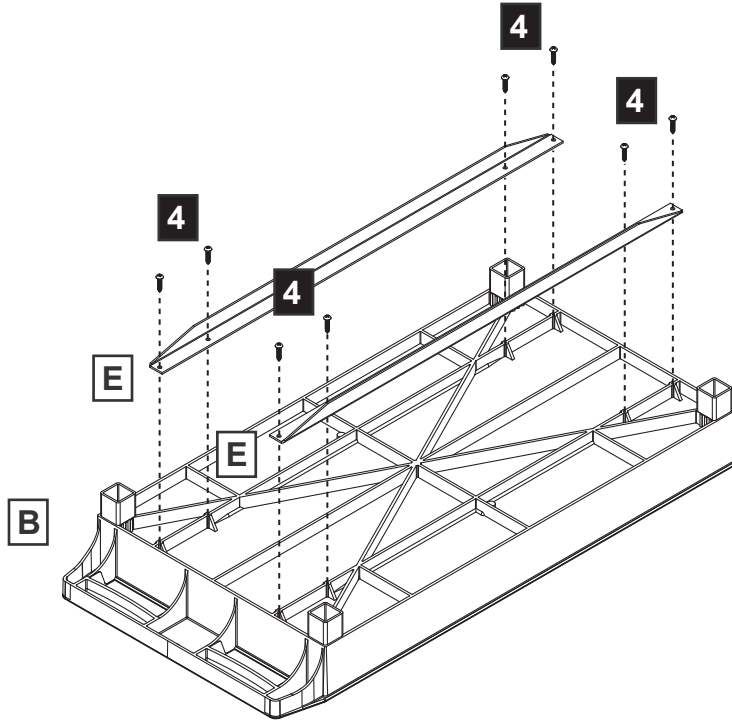
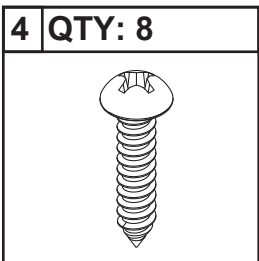
2



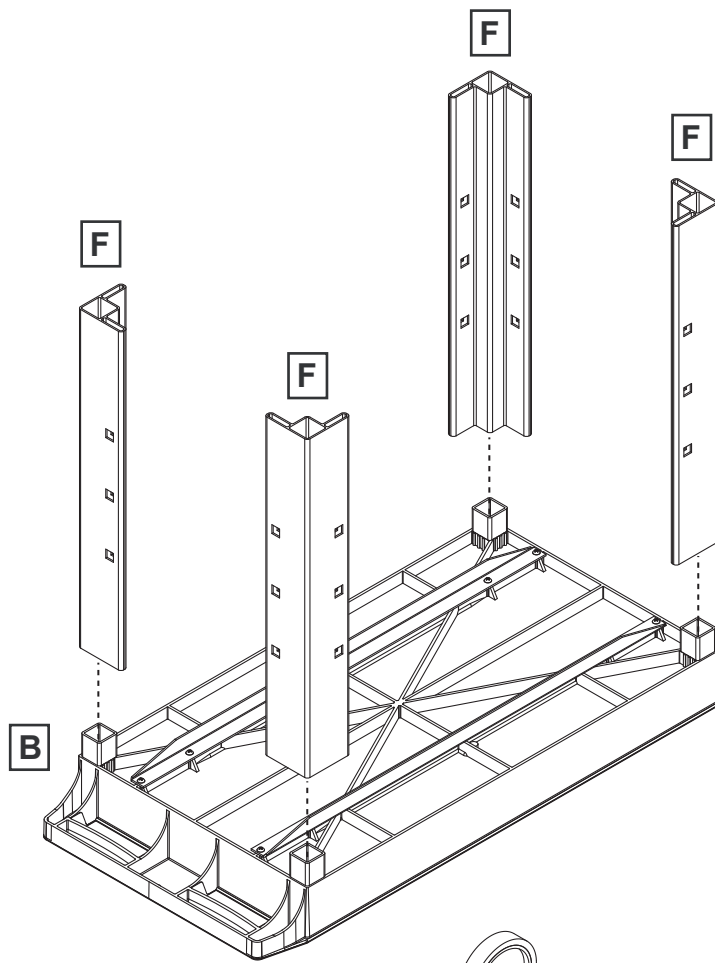
3



4

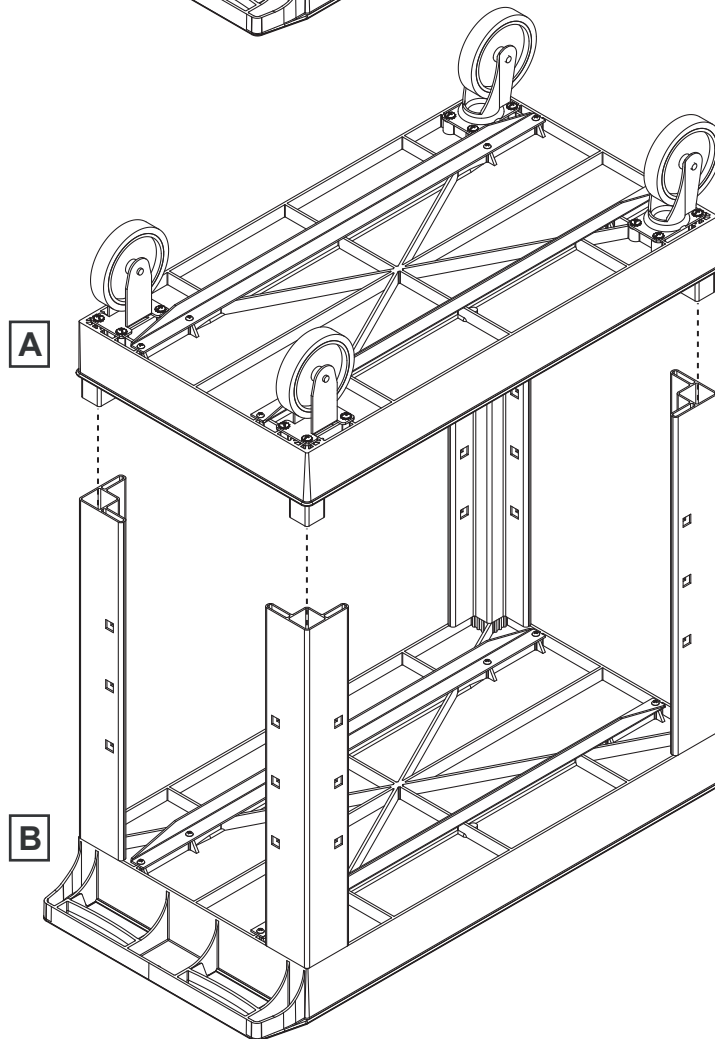


5

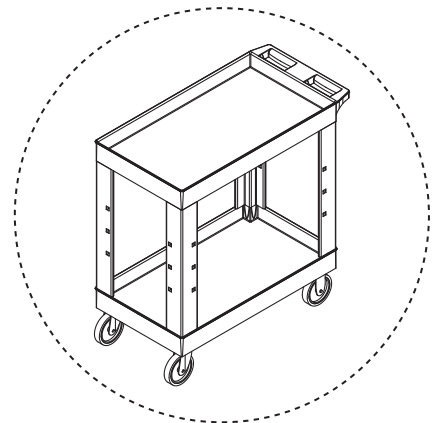


Use strength.

6



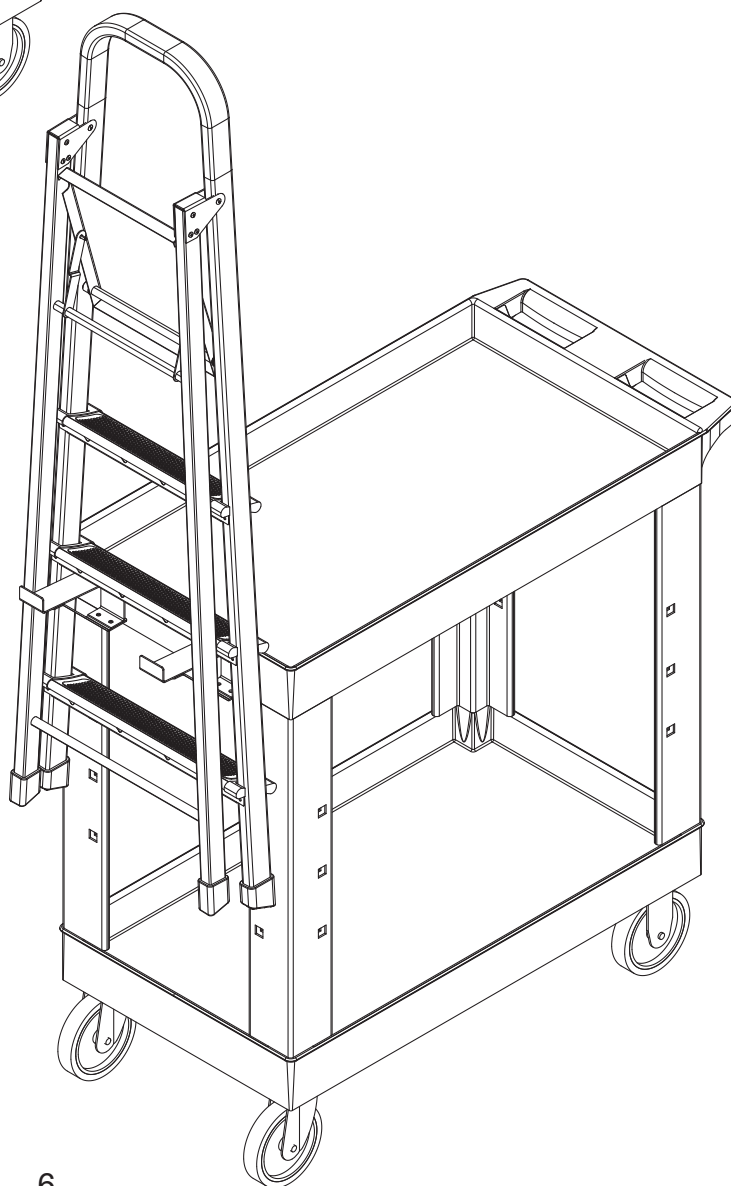
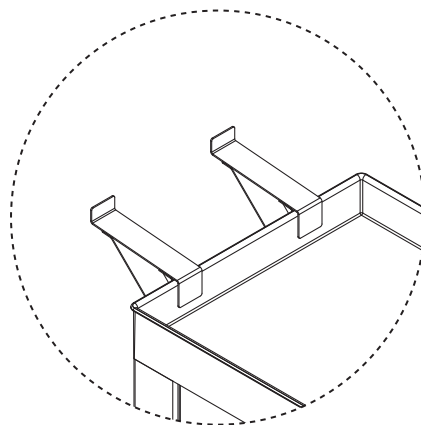
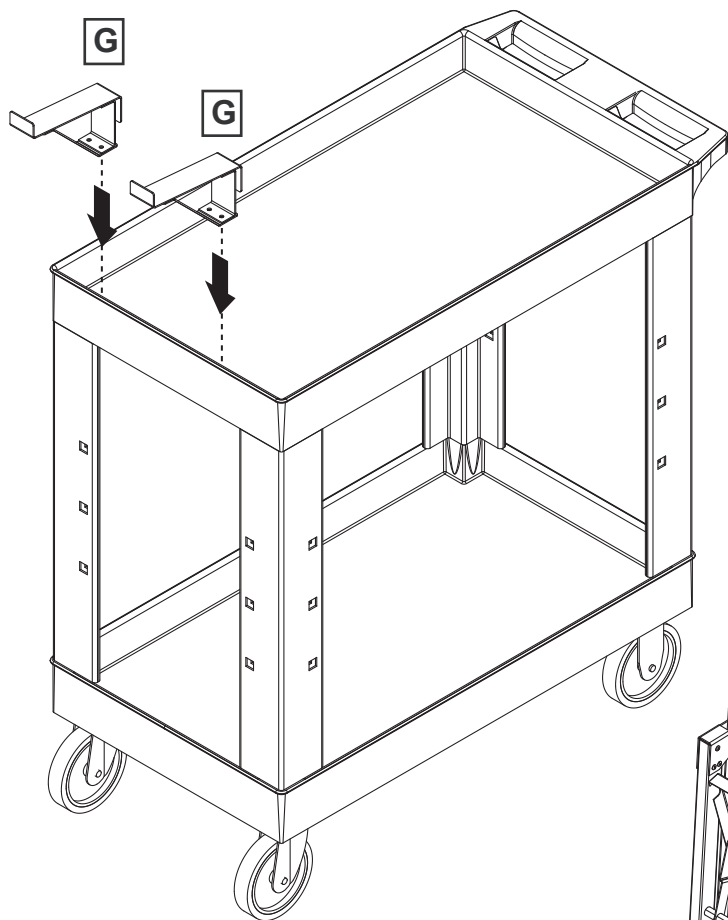
Use strength.



Great job!

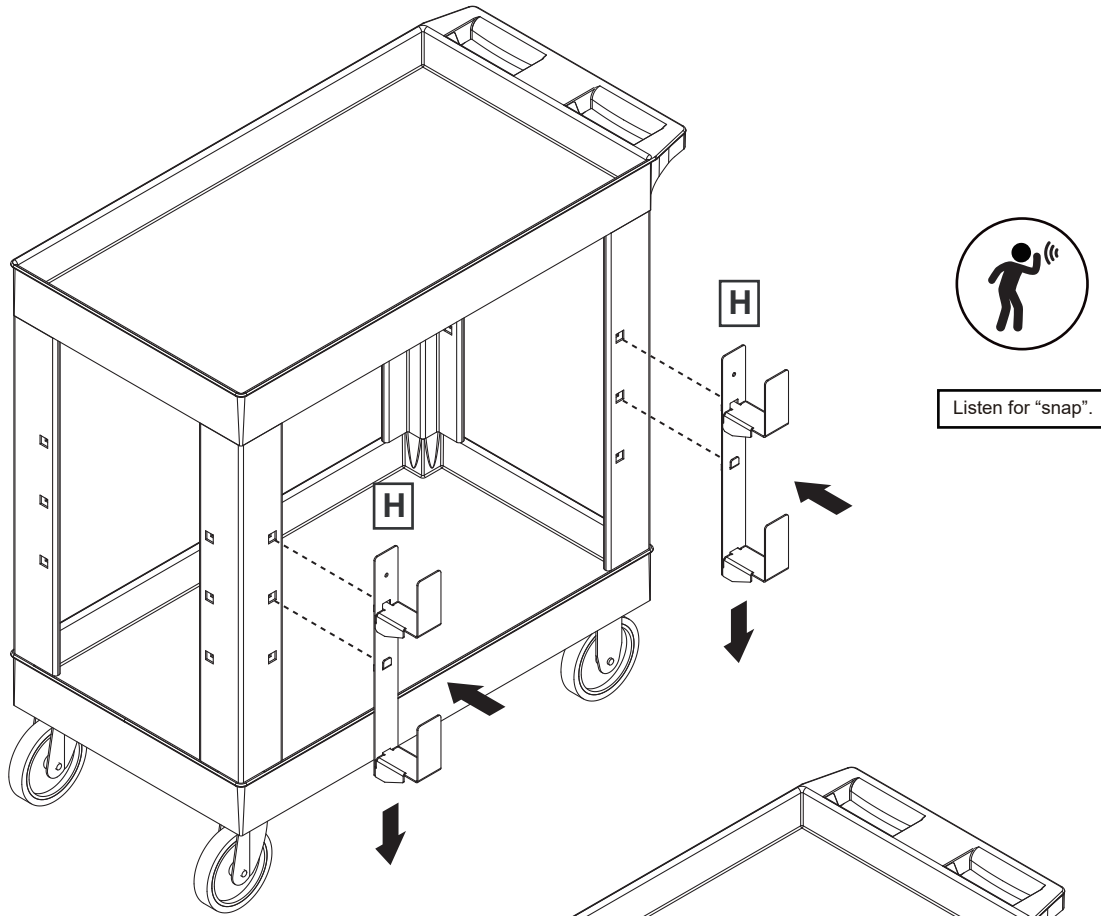
# LADDER BRACKETS

Ladder not included.

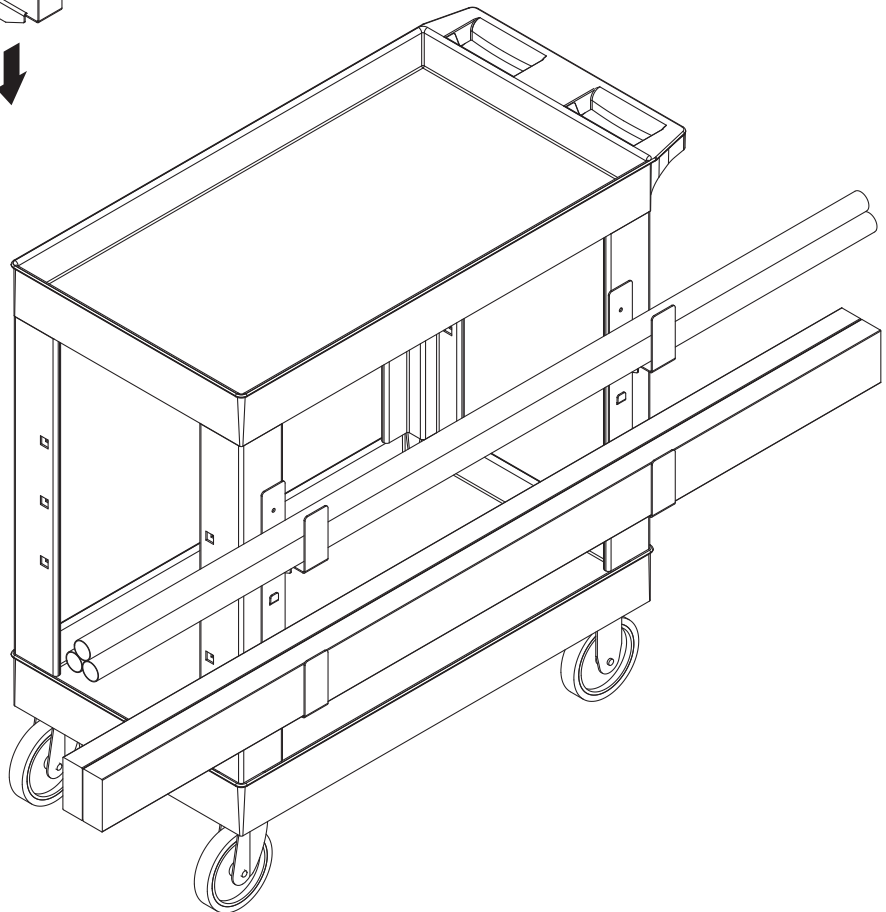


# UTILITY BRACKETS

Pipe and lumber not included.



**To help prevent tipping:**  
It is recommended utility brackets are mounted opposite of spool brackets.

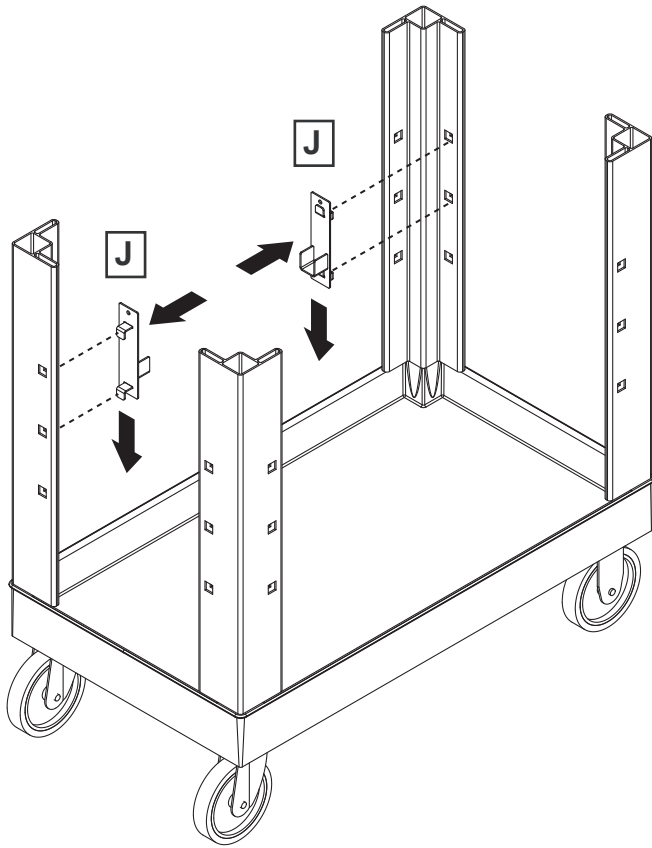




# SPOOL BRACKETS

Cart tub top not shown for visualization purposes.

Pipe and spools not included.



Listen for "snap".



**To help prevent tipping:**  
It is recommended spool brackets are mounted opposite of utility brackets.

