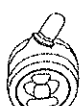
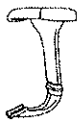
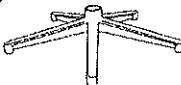


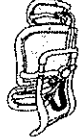


ERGOHUMAN LEM4ERG ASSEMBLY INSTRUCTION

PARTS LIST

<p>①</p>  <p>CASTER x 5</p>	<p>④</p>  <p>RIGHT&LEFT ARM x 1 EACH</p>
<p>②</p>  <p>BASE x 1</p>	<p>⑤</p>  <p>SEAT CUSHION x 1</p>
<p>③</p>  <p>GAS LIFT x 1</p>	<p>⑥</p>  <p>BACK CUSHION x 1</p>

HARDWARE

TYPE A ARM SCREWS&WASHER (FOR FRONT SCREW OPENING)

	1/4" X 1"
	SPARE SCREW

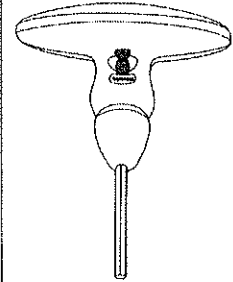
TYPE B ARM SCREWS&WASHER (FOR REAR SCREW OPENING)

	1/4" X 5/8"
	SPARE SCREW

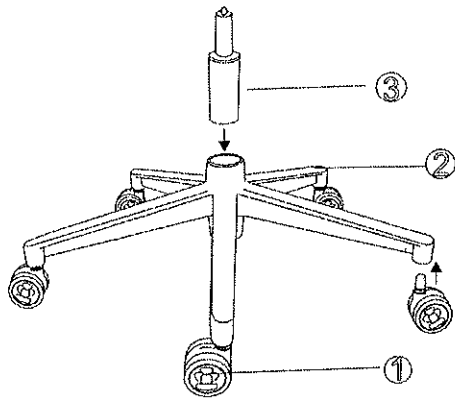
TYPE C BACK SCREWS

	8MX17MM
	SPARE SCREW

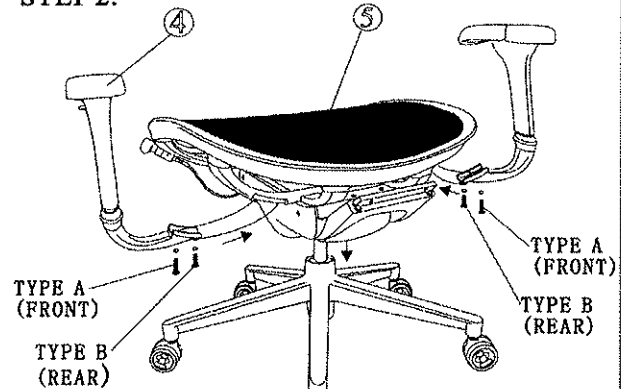
ALLEN WRENCH



STEP 1.

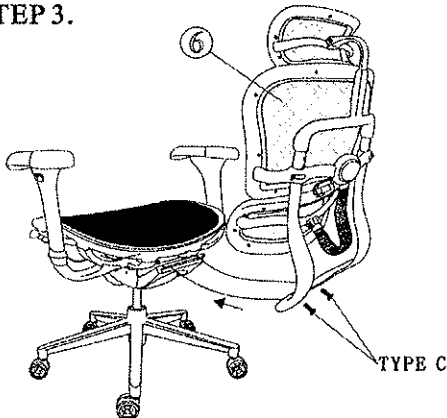


STEP 2.

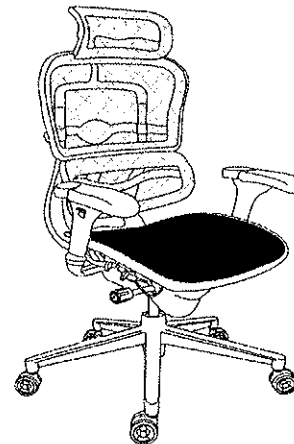


please follow step 2 closely:
Type B shorter screw is for the hole closer to the mechanism.
Type A longer screw is for the hole farther away from the mechanism

STEP 3.



STEP 4.



PREVENTIVE MAINTENANCE AND WARNING

- USE THIS PRODUCT ONLY FOR SEATING ONE PERSON AT A TIME.
- DO NOT USE CHAIR AS STEP STOOL/LADDER.
- DO NOT USE CHAIR UNLESS ALL BOLTS, SCREWS ARE TIGHT. AT LEAST EVERY SIX MONTHS CHECK ALL BOLTS, SCREWS TO BE SURE THEY ARE TIGHT.
- IF ANY PARTS ARE MISSING, BROKEN, DAMAGED OR WORN, STOP USE OF THE PRODUCT UNTIL REPAIRS ARE MADE USING FACTORY AUTHORIZED PARTS.
- FAILURE TO FOLLOW THESE WARNINGS CAN RESULT IN SERIOUS INJURY.

FOR ASSEMBLY ASSISTANCE CALL
CUSTOMER SERVICE: 1-800-637-0005
METRO NY: 1-516-481-9500
9:00AM TO 5:00PM (EASTERN)