

Eoslift

CE
Hand Table Truck
Operating Instructions
TAD Series

BEFORE YOU BEGIN

Thank you for using our lift table. Our lift table is made of high quality steel. For your safety and correct operation, please carefully read this instruction before using it.

Hand Table Truck TAD Series
TAD35, TAD80



**Hand Table Truck
TAD Series**

Eoslift Automation Technology Corp.
No.99, Yanjia Road, Yuantong Town, Haiyan, Zhejiang

Year of Manufacture: 2014

CONTENTS

1 Warnings	Page 1
2 Cautions	Page 1
3 Name of Parts	Page 2
4 Daily Inspection	Page 2
5 Operation Instruction	Page 2
6 Structural Data Form	Page 4
7 Maintenance	Page 4
8 Hydraulic Circuit	Page 5
9 Parts List	Page 6

1. Warnings

1. DO NOT put foot or hand in scissors mechanism.
2. DO NOT allow other person to stand in front of or behind lift table when it is moving.
3. DO NOT move lift table when table is in raised position. Load could fall down.
4. DO NOT enter under table.
5. DO NOT overload lift table.
6. DO NOT put foot in front of rolling wheels. Injury could result.
7. WATCH difference of floor level when moving lift table Load could fall down.
8. DO NOT use lift table on slop or inclined surface, lift table may become uncontrollable and create danger.
9. DO NOT lift people. People could fall down and suffer severe injury.

2. Cautions

1. Read this operation manual carefully and understand completely operating lift table. Improper operation could create danger.
2. This lift table is a movable lifter designed to lift or lower rated load on table. DO NOT use lift table for other purpose than its intended use.
3. DO NOT allow person to operate lift table who dose not understand its operation.
4. DO NOT lower table too fast. Load could fall down and create danger.
5. KEEP watching the condition of load. Stop operating lift table if load becomes unstable.
6. Break the lift table when sliding load on or off table.
7. DO NOT side or end load. Load must be distributed on at least 80% of table area.
8. DO NOT use lift table with unstable, unbalanced loosely stacked load.
9. Practice maintenance work according to service instructions.
10. DO NOT modify lift table without manufacturers' written consent.
11. REMOVE load from table and use safety stopper to prevent table from lowering when servicing lift table.
12. This lift table is not designed to be water resistant. Use lift table under dry condition.

3. Name of Parts TAD35, TAD80 / 零部件名称 TAD35, TAD80



4. Daily Inspection

Daily inspection is effective to find the malfunction or fault on lift table. Check lift table on the following points before operation.

 CAUTION
DO NOT use lift table if any malfunction or fault is found.

- (1) Check for scratch, bending or cracking on the lift table.
- (2) Check if there is any oil leakage from the cylinder.
- (3) Check the vertical creep of the table.
- (4) Check the smooth movement of the wheels.
- (5) Check the function of brake.
- (6) Check if all the bolts and nuts are tightened firmly.

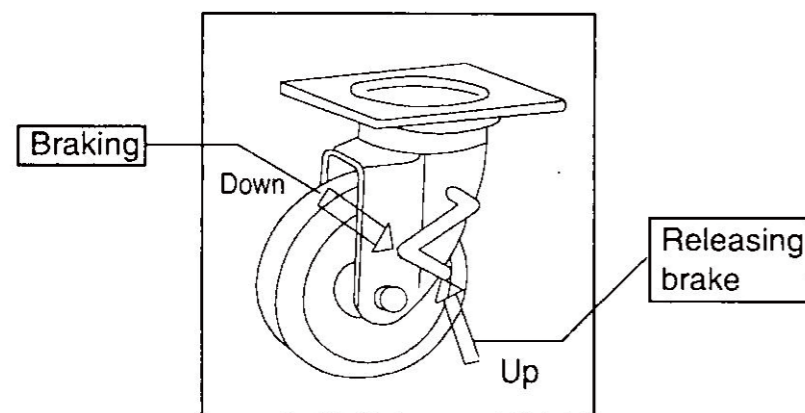
5. Operation Instruction

5-1. How to use the brake

 CAUTION
Brake lift table when not moving it in order to prevent sudden movement.

The brake is equipped with the swivel caster on the right side.

- (1) Breaking the wheel, press the brake pedal.
- (2) Releasing the brake, lift up the brake pedal.



5-2. lifting the table

WARNINGS
1. DO NOT overload lift table. Stay within its rated capacity. 2. DO NOT side or end load must be distributed on at least 80% of table area.


Press the lifting pedal several times until the table reaches the desired position. The table does not elevate after reaching the highest position even if the lifting pedal is pressed. The table lowers slightly after reaching the highest position.

5-3. Lowering table

MAXIMUM CAPACITY OF TABLE	
TAD35	TAD80
350KG	800KG

NOTE:
The hydraulic cylinder is designed to hold table. As is the nature of the hydraulic system, table lowers very slowly over an extended period of time. Please note the table does not stay at the same position indefinitely.

- ##### 5-4. Fold the handles
- To fold the handle, push down the lock bar and lay down the handle.

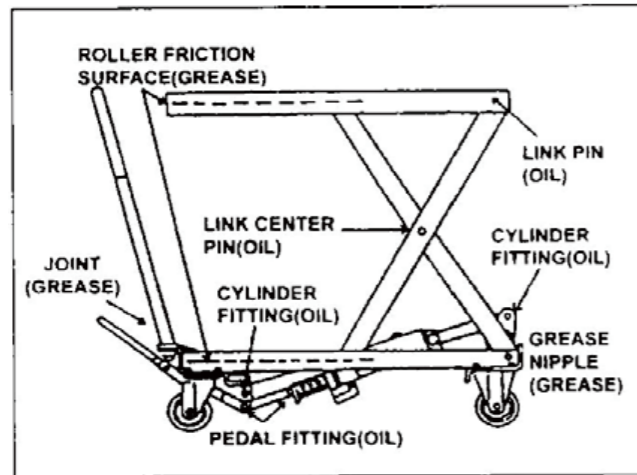
 WARNING
DO NOT put foot or hand in scissors mechanism Pull the lowering lever up and table lowers.

6. Structural Data Form

Mode	Capacity (kg)	Table (mm)	Table Height (mm)	Stroke	L X W X H (mm)	Pedaling to top (approx. times)	Wheel Φ (mm)	Weight (kg)
TAD35	350	520X1010	435-1585	1150	1130X520X1260	53	150	150
TAD80	800	520X1010	470-1410	910	1130X520X1275	95	150	165

7. Maintenance

7-1. Lubricate each point described below every month:

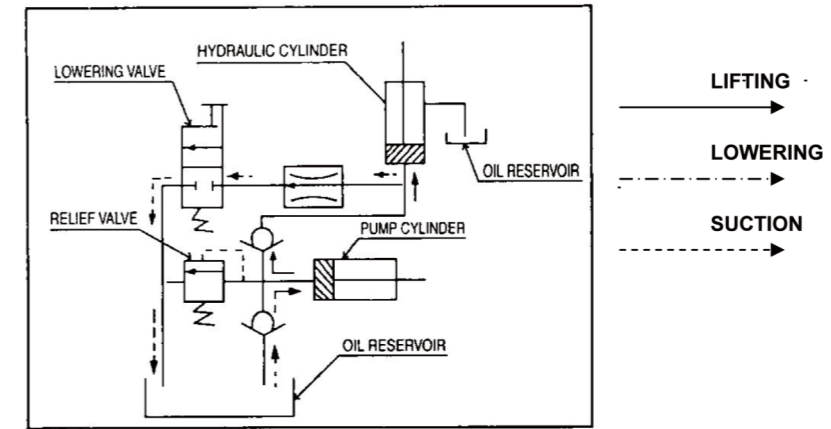


7-2. Change hydraulic oil every 12 months.

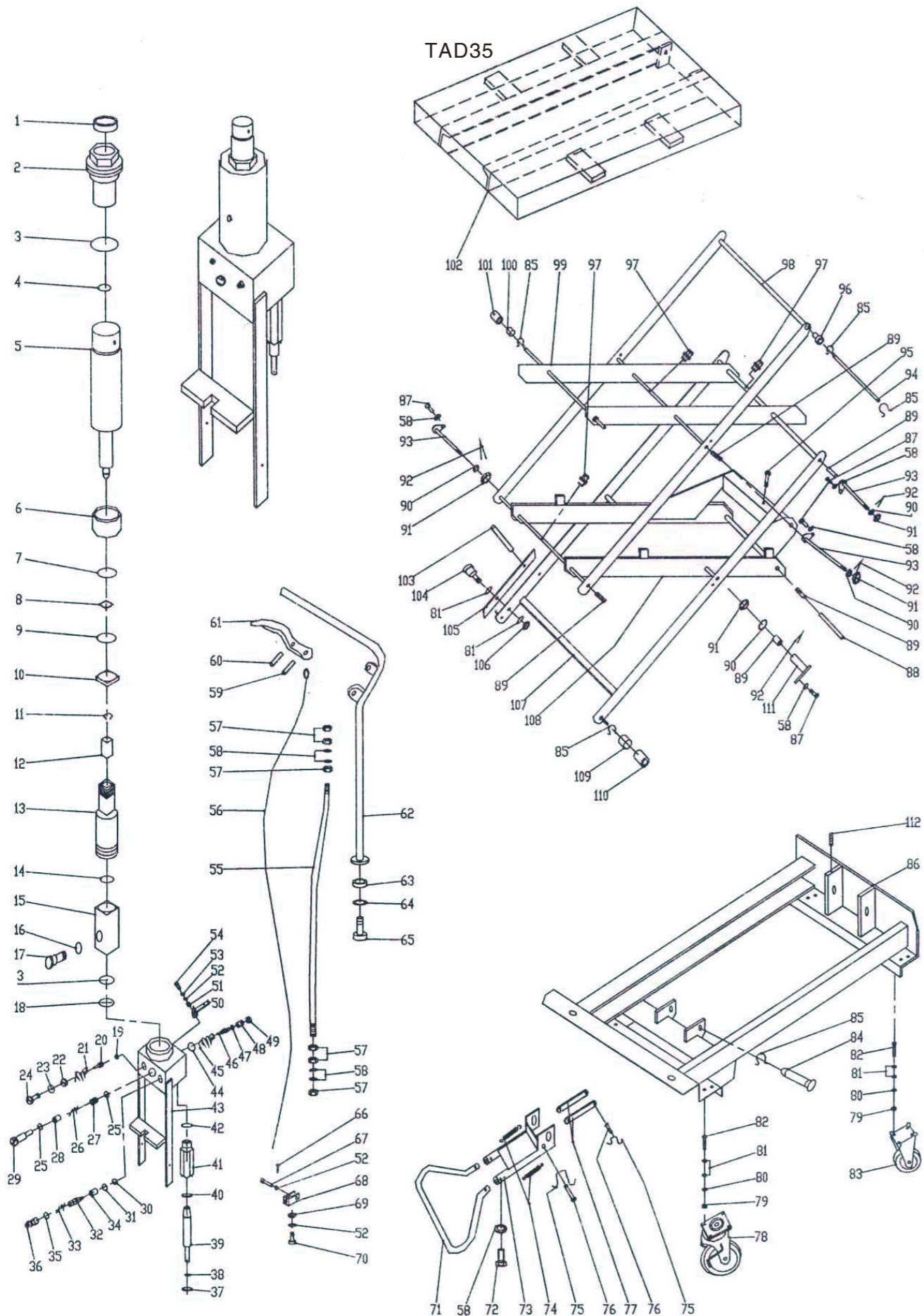
Lubricating Points

- (1) Fitting of cylinderOil
- (2) Roller friction surface.....Grease
- (3) Link Pin.....Oil
- (4) Pedal fitting point.....Oil
- (5) Link center pin.....Oil
- (6) Joint.....Grease
- (7) Grease nipple.....Grease
- (8) Hydraulic circuit

8. Hydraulic Circuit



9 Parts List



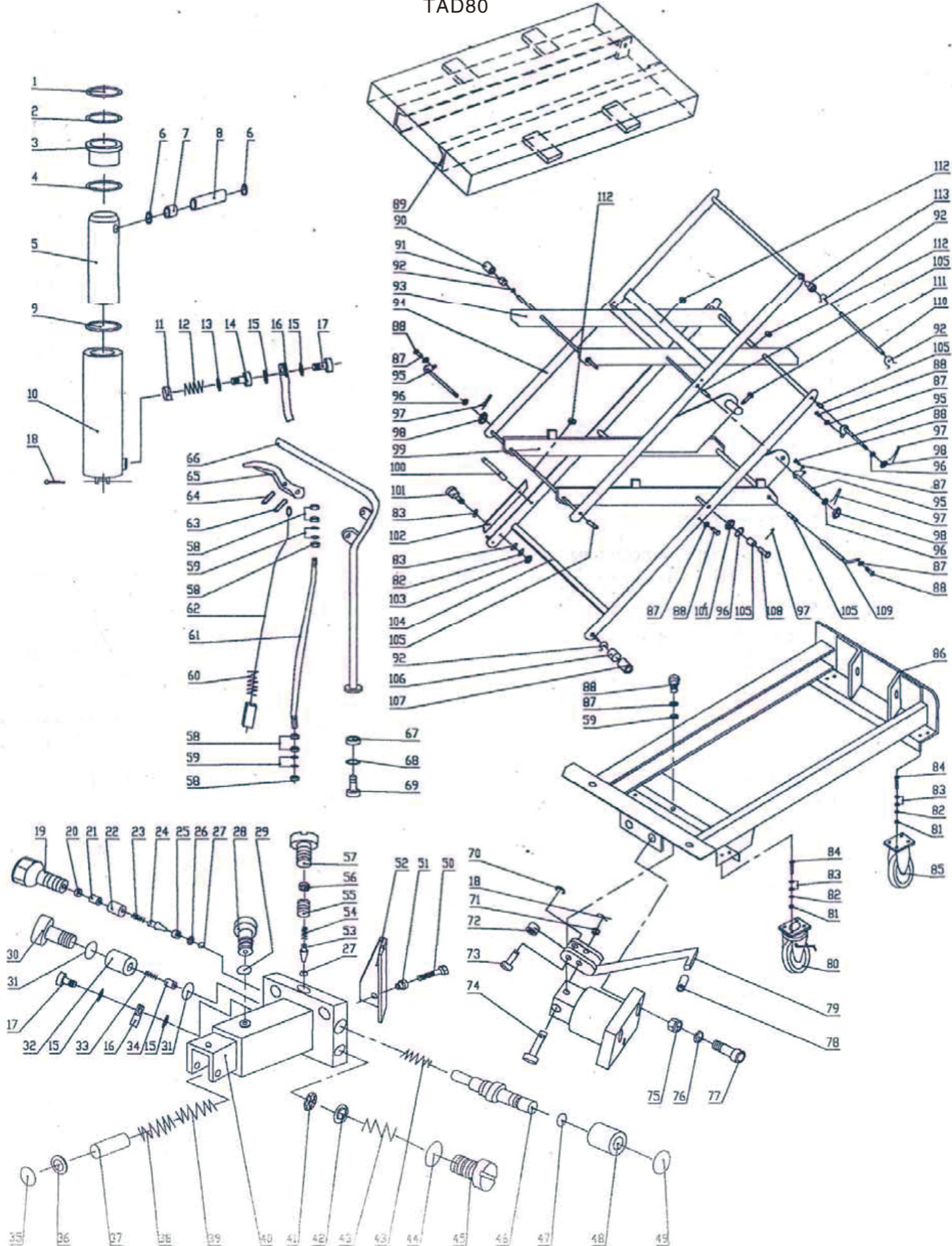
LIFT TABLE SPARE PARTS LIST: TAD35

NO.	DESCRIPTION	QTY	NO.	DESCRIPTION	QTY
1	Seal cover d30*D42*7	1	61	Control link	1
2	Cylinder cover	1	62	Handle	1
3	O-ring d63*2.65	2	63	Spacing casing	2
4	O-ring d30*3.55	1	64	Spring washer 12	2
5	Piston Rod	1	65	Hex screw M12*40	2
6	Spacing casing	1	66	Sprit pin	1
7	Guiding \$1.5*15	1	67	Pin	1
8	O-ring D20*2.4	1	68	U-fork	1
9	Seal ring d34*D40*4.5	1	69	Nut M6	1
10	Retainer for piston rod	1	70	Bolt	1
11	Spacing retainer 18	1	71	Pedal bent pipe	1
12	Piston	1	72	Hex headed bolt	1
13	Cylinder	1	73	Shake link	1
14	Washer for cylinder	1	74	Spring	1
15	Reservoir	1	75	Retainer ring for axle 10	2
16	O-ring d10*2.65	1	76	Pin axle	2
17	Filler screw	1	77	Link	2
18	Washer for reservoir	1	78	Wheel	2
19	Steel ball 5	1	79	Nut M10	16
20	Spring base	1	80	Spring washer10	16
21	Regulating pressure spring	1	81	Washer 10	36
22	Regulating pressure screw	1	82	Hex sock screw M10*25	16
23	O-ring d7.1*1.8	1	83	Wheel	2
24	End cover	1	84	Pin axle	1

25	O-ring d15*2.65	2	85	Retaining ring for axle 20	5
26	Regulating speed spring	1	86	Chassis	1
27	Regulating slide-valve	1	87	Hex socket screw Bolt M8*16	3
28	Regulating speed spring-casing	1	88	Pin axle	1
29	Regulating speed slide-casing	1	89	Bushing	5
30	Steel ball 7	1	90	Washer	4
31	O-ring d6.9*1.8	1	91	Slotting nut M16*1.5	4
32	Conical valve	1	92	Split pin	3
33	Spring	1	93	Pin axle	3
34	Check valve casing	1	94	Pin axle	1
35	O-ring d10*1.8	1	95	Hex socket set screw M8*12	1
36	Check valve screw	1	96	Bushing	1
37	Seal cover d18*D25*4.5	1	97	Oil cutup	3
38	O-ring d18*2.65	1	98	External scissors lever for table	1
39	Pump plunger	1	99	Internal scissors lever for table	1
40	Y-ring	1	100	Bushing	1
41	Pump body for plunger	1	101	Roller for table	1
42	O-ring d10.6*2.65	1	102	Table	1
43	Pump body	1	103	Pin8*40	1
44	O-ring d10.6*2.65	1	104	Hex headed screw bolt M10*40	1
45	Spring	1	105	Safety rod	1
46	Reflux rod	1	106	Nut M10	1
47	O-ring d 4*1.8	1	107	External scissors lever for chassis	1
48	Guide casing	1	108	Internal scissors lever for chassis	1
49	Protect casing	1	109	Bushing	1
50	Lever	1	110	Roller for chassis	1

51	Lever bushing	1	111	Pin axle	1
52	Washer 6	2	112	Bolt M6*8	1
53	Spring washer 6	2	A Pump assembly 1~49 B Swivel wheel assembly 78 C Front wheel assembly 83 D Seal kit assembly 1,3,4,7,8,9,16,23,25,31,35 37,38,40,42,44,47		
54	Hex sock screw M6*16	1			
55	Tube for steel	1			
56	Steel wire	1			
57	Nut M8	4			
58	Washer 8	2			
59	Spring pin	1			
60	Spring pin	1			

TAD80



LIFT TABLE SPARE PARTS LIST: TAD80 / TAD80

NO.	DESCRIPTION	QTY	NO.	DESCRIPTION	QTY
1	Seal cover d500*D58*5	1	61	Tube for steel wire	1
2	Y-ring d50*D58*8.2	1	62	Steel wire	1
3	Cylinder cover	1	63	Spring pin	1
4	O-ring d56*2.65	1	64	Spring pin	1
5	Piston Rod	1	65	Control link	1
6	Bushing	2	66	Handle	1
7	Bushing	1	67	Spacing casing	1
8	Pin axle	1	68	Spring washing 12	1
9	Snap Ring 50	1	69	Hex screw M12*40	1
10	Cylinder	1	70	Snap ring	1
11	Prevent burst value	1	71	Spacing casing	1
12	Spring	1	72	Pressure roller	1
13	Seal ring 18	1	73	Pressure roller pin	1
14	Prevent burst joint	1	74	Pedal pivot pin	1
15	Seal ring 14	4	75	Nut M6	1
16	High pressure Hose	2	76	Spring washer6	1
17	Joint	2	77	Hex socket screw bolt M6*50	1
18	Split pin	2	78	Pedal rubber	1
19	Adjust casing seat	1	79	Pedal holder	1
20	O-ring d18*2.4	1	80	Wheel	1
21	Adjust casing	1	81	Nut M10	2
22	Spring seat	1	82	Spring washer 10	3
23	Spring	1	83	Washer 10	4
24	Conical valve	1	84	Hex socket screw M10	2

25	Check valve casing	1	85	Wheel	1
26	O-ring d6.9*1.8	1	86	Chassis	1
27	Steel ball	2	87	Spring washer 8	6
28	Plug	1	88	Hex socket screw bolt M8*16	6
29	O-ring d10*2.65	1	89	Table	1
30	Regulating speed valve casing	1	90	Roller for table	1
31	O-ring d15*2.65	2	91	Bushing	1
32	Regulating speed spring seat	1	92	Retaining ring for axle 20	4
33	Regulating speed spring	1	93	Internal scissors lever for table	1
34	Regulating speed slide-valve	1	94	External scissors lever for table	1
35	O-ring d20*2.65	1	95	Pin axle	3
36	Y-ring d20*D28*5	1	96	Washer	4
37	Pump plunger	1	97	Split Pin	4
38	Spring	1	98	Slotting nut M16*1.5	3
39	Spring	1	99	Internal scissors lever for chassis	1
40	Pump body	1	100	Pin 8*40	1
41	Mesh	1	101	Hex headed screw bolt M8*40	2
42	Washer D5	1	102	Safety rod	1
43	Discharge spring	2	103	Nut M10	1
44	O-ring d14*2.4	1	104	External scissors lever for chassis	1
45	Plug	1	105	Bushing	5
46	Discharge lever	1	106	Bushing	1
47	O-ring d 4*1.8	1	107	Roller for chassis	1
48	Discharge lever bushing	1	108	Pin axle	1
49	O-ring d10.6*2.65	1	109	Pin axle	1
50	Hex socket screw bolt M6*16	1	110	Pin axle	1

51	Bushing	1	111	Hex socket set screw M8*12	1
52	Discharge lever	1	112	Oil cup	3
53	Spring seat assembly	1	113	Bushing	1
54	Regulating pressure spring	1	A Pump assembly 1~49 B Swivel wheel assembly 78 C Front wheel assembly 83 D Seal kit assembly 1,3,4,7,8,9,16,23,25,31,35 37,38,40,42,44,47 E The handle assembly 52,55~62,66~70		
55	Regulating pressure nut	1			
56	O-ring d8*1.8	1			
57	Screw	1			
58	Nut M8	4			
59	Washer 8	2			
60	Spring	1			