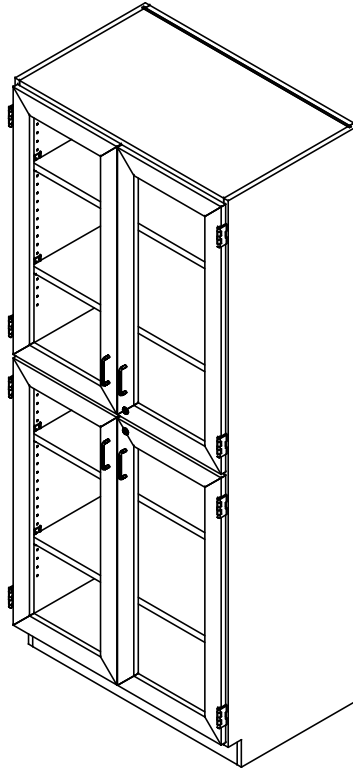


TALL STORAGE CABINETS

S- SERIES (84"H), TC- SERIES, L84- SERIES, TETC- SERIES, TTC- SERIES, WSC- SERIES, DBC- SERIES, PSC- SERIES, DTC- SERIES, GSC- SERIES, & OS- SERIES
 ASSEMBLY INSTRUCTIONS



NOTE:

1. MODEL VIEWS MAY NOT REPRESENT EXACT MODEL PURCHASED

DWN BY:	EMK	DWN DATE:	11/3/16
APR BY:		DATE APR:	
APR BY:		DATE APR:	

UNLESS OTHERWISE SPECIFIED
 DIMENSION ARE IN INCHES
 CABINET SQUARENESS ± .0625
 FRACTIONAL VALUES ± 1/32"
 - ALL VALUES ± OVERALL -



300 South Krueger Street
 Suring, WI 54174
 diversifiedwoodcrafts.com

TITLE:
 TALL STORAGE CABINETS
 ASSEMBLY INSTRUCTIONS

REV.	DESCRIPTION	DATE	NAME	ECH NO.
A	CREATED ASSEMBLY INSTRUCTIONS	11/3/16	EMK	-
REVISION LEVEL				

THIS DRAWING IS THE SOLE PROPERTY OF
 DIVERSIFIED WOOD CRAFTS. IT MAY NOT
 BE ALTERED OR CHANGED WITHOUT
 PERMISSION

DRAWING NUMBER:	SCALE:	SHEET:	REVISION:
TALL STORAGE CABINETS	NTS	1 OF 6	REV A

TOOLS REQUIRED

CONTACT CEMENT

SCREW DRIVER

ASSEMBLY COMPONENTS

ITEMS INCLUDED	PART #	PART DESCRIPTION	QTY
RUBBER BASE MOLDING	100283	RUBBER BASE MOLDING (SOLD BY FOOT)	VARIES
STAINLESS STEEL CORNERS	100057	CORNERS-STAINLESS STEEL,BASE	2
SCREWS - BASE	100064	SCREW,#6X 1/2 PTH SMS SS SCREW	8
SHELF CLIPS	100027	SHELF CLIPS,PLASTIC,5MM PIN	VARIES
PLASTIC BINS - PSC-SERIES	15-0038	HANG BINS,7.37X4.125X3	80
TOTE TRAYS - 350-XXYY, 351-XXYY, TTC-SERIES, DTC-SERIES, & GSC-SERIES	100135	TOTE TRAYS, T-188	VARIES
TOTE TRAYS - L84-SERIES	15-0084	TOTE TRAY - 9X19X4-3/8H	6
TOTE TRAYS - L84-SERIES	15-0081	TOTE TRAY - 13.5X19X4.25H	8
MICROSCOPE DIVIDERS - 370-XXYY, 372-XXYY, & 373-XXYY SERIES	100995	MICROSCOPE DIVIDER,ZINC	VARIES

NOTE:

- COMPONENTS VARY WITH STYLE OF TALL STORAGE UNIT PURCHASED.

DWN BY:	EMK	DWN DATE:	11/3/16
APR BY:		DATE APR:	
APR BY:		DATE APR:	

UNLESS OTHERWISE SPECIFIED
DIMENSION ARE IN INCHES
CABINET SQUARENESS ± .0625
FRACTIONAL VALUES ± 1/32"
- ALL VALUES ± OVERALL -



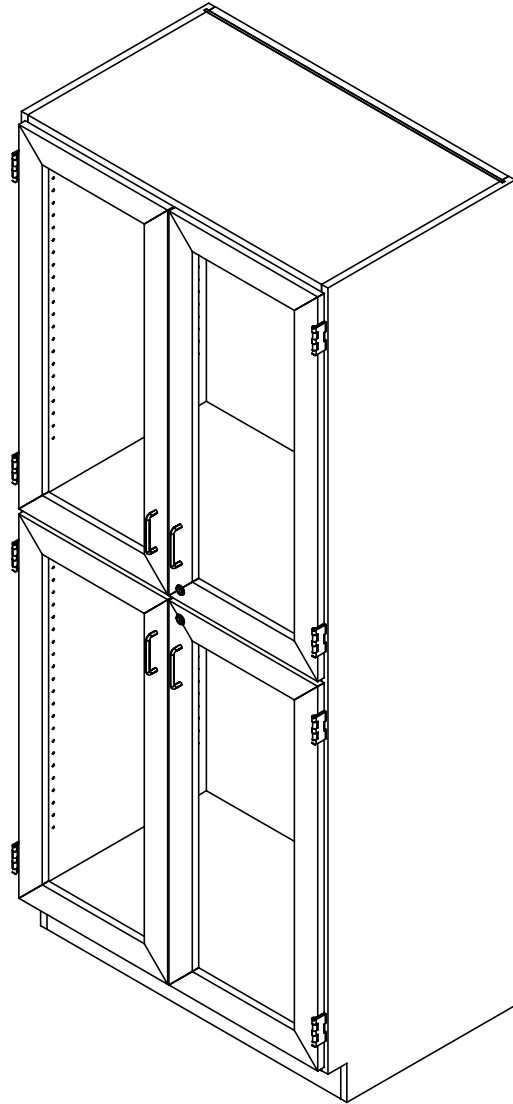
300 South Krueger Street
Suring, WI 54174
diversifiedwoodcrafts.com

TITLE:
TALL STORAGE CABINETS
TOOLS AND ASSEMBLY COMPONENTS

REV.	DESCRIPTION	DATE	NAME	ECH NO.
A	CREATED ASSEMBLY INSTRUCTIONS	11/3/16	EMK	-

THIS DRAWING IS THE SOLE PROPERTY OF
DIVERSIFIED WOOD CRAFTS. IT MAY NOT
BE ALTERED OR CHANGED WITHOUT
PERMISSION

DRAWING NUMBER:	SCALE:	SHEET:	REVISION:
TALL STORAGE CABINETS	NTS	2 OF 6	REV A



STEP 1:

- POSITION CABINET IN YOUR DESIRED LOCATION.
- LEVEL CABINET.
- ANCHOR TO WALL AS CABINET WILL BE TOP HEAVY.

****NOTE****
 CABINET MUST BE LEVELED OR
 DOORS AND DRAWERS MAY NOT
 OPEN OR CLOSE CORRECTLY

NOTE:

1.

DWN BY:	EMK	DWN DATE:	11/3/16
APR BY:		DATE APR:	
APR BY:		DATE APR:	

UNLESS OTHERWISE SPECIFIED
 DIMENSION ARE IN INCHES
 CABINET SQUARENESS ± .0625
 FRACTIONAL VALUES ± 1/32"
 - ALL VALUES ± OVERALL -



300 South Krueger Street
 Suring, WI 54174
 diversifiedwoodcrafts.com

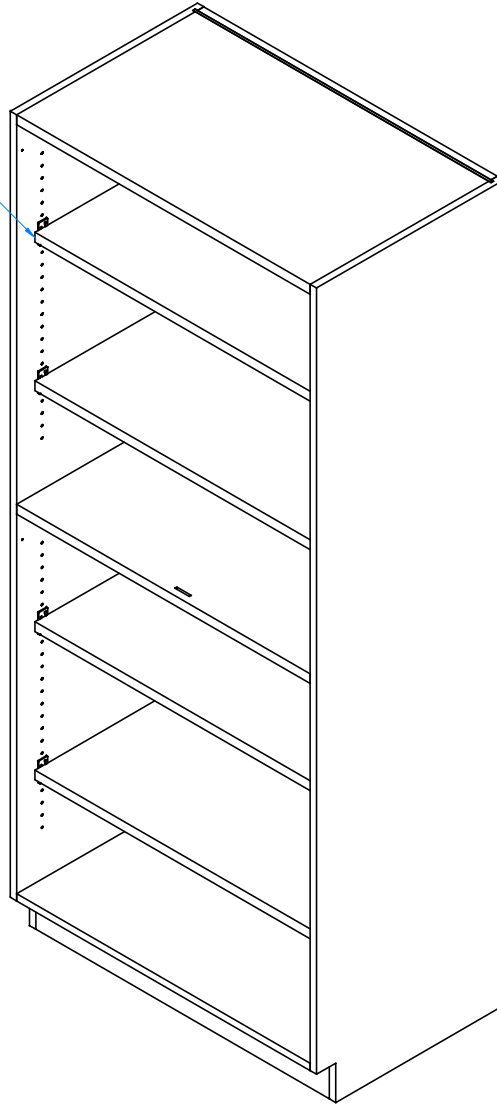
TITLE:
 TALL STORAGE CABINETS
 ASSEMBLY INSTRUCTIONS

REV.	DESCRIPTION	DATE	NAME	ECN NO.
A	CREATED ASSEMBLY INSTRUCTIONS	11/3/16	EMK	-
REVISION LEVEL				

THIS DRAWING IS THE SOLE PROPERTY OF
 DIVERSIFIED WOOD CRAFTS. IT MAY NOT
 BE ALTERED OR CHANGED WITHOUT
 PERMISSION

DRAWING NUMBER:	SCALE:	SHEET:	REVISION:
TALL STORAGE CABINETS	NTS	3 OF 6	REV A

ADJUSTABLE
SHELVES - TYPICAL



DOORS AND HARDWARE REMOVED
TO SHOW CLARITY

STEP 2:

- INSERT SHELF CLIPS IN DESIRED LOCATION.
- PLACE SHELVES ON CLIPS, MAKING SURE THEY ARE LEVEL.

NOTE:

1.

DWN BY:	EMK	DWN DATE:	11/3/16
APR BY:		DATE APR:	
APR BY:		DATE APR:	

UNLESS OTHERWISE SPECIFIED
DIMENSION ARE IN INCHES
CABINET SQUARENESS ± .0625
FRACTIONAL VALUES ± 1/32"
- ALL VALUES ± OVERALL -



300 South Krueger Street
Suring, WI 54174
diversifiedwoodcrafts.com

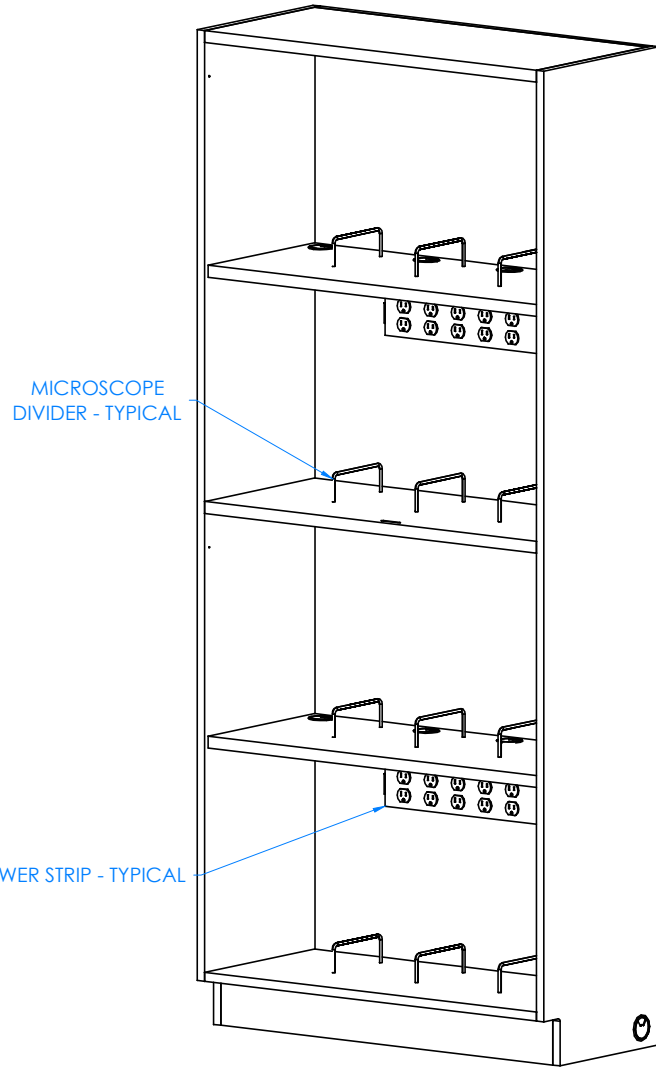
TITLE:
TALL STORAGE CABINETS
ASSEMBLY INSTRUCTIONS

REV.	DESCRIPTION	DATE	NAME	ECN NO.
A	CREATED ASSEMBLY INSTRUCTIONS	11/3/16	EMK	-

REVISION LEVEL

THIS DRAWING IS THE SOLE PROPERTY OF
DIVERSIFIED WOOD CRAFTS. IT MAY NOT
BE ALTERED OR CHANGED WITHOUT
PERMISSION

DRAWING NUMBER:	SCALE:	SHEET:	REVISION:
TALL STORAGE CABINETS	NTS	4 OF 6	REV A



MICROSCOPE DIVIDER - TYPICAL

POWER STRIP - TYPICAL

MICROSCOPE CABINET SHOWN
DOORS AND HARDWARE REMOVED TO SHOW CLARITY

NOTE:

1.

STEP 3:

- IF YOU DO NOT HAVE A MICROSCOPE CABINET (370-XXYY, 372-XXYY, OR 373-XXYY), SKIP TO STEP 4.
- ATTACH MICROSCOPE DIVIDERS TO SHELVES.
- PLUG IN POWER STRIP TO OUTLET.

DWN BY:	EMK	DWN DATE:	11/3/16
APR BY:		DATE APR:	
APR BY:		DATE APR:	

UNLESS OTHERWISE SPECIFIED
DIMENSION ARE IN INCHES
CABINET SQUARENESS ± .0625
FRACTIONAL VALUES ± 1/32"
- ALL VALUES ± OVERALL -



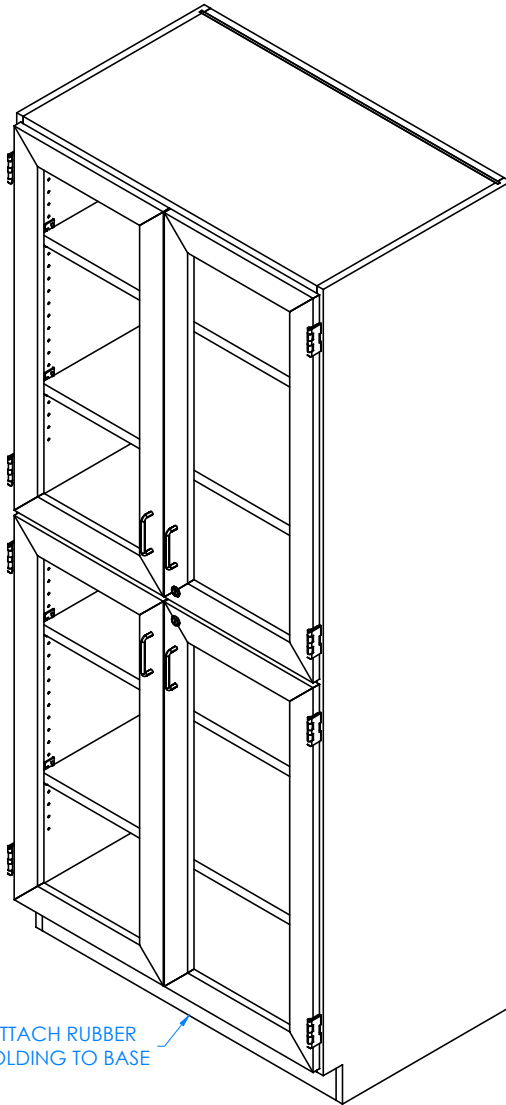
300 South Krueger Street
Suring, WI 54174
diversifiedwoodcrafts.com

TITLE:
TALL STORAGE CABINETS
ASSEMBLY INSTRUCTIONS

REV.	DESCRIPTION	DATE	NAME	ECH NO.
A	CREATED ASSEMBLY INSTRUCTIONS	11/3/16	EMK	-
REVISION LEVEL				

THIS DRAWING IS THE SOLE PROPERTY OF
DIVERSIFIED WOOD CRAFTS. IT MAY NOT
BE ALTERED OR CHANGED WITHOUT
PERMISSION

DRAWING NUMBER:	SCALE:	SHEET:	REVISION:
TALL STORAGE CABINETS	NTS	5 OF 6	REV A



NOTE:

1.

ATTACH RUBBER MOLDING TO BASE

COMPLETE UNIT SHOWN

STEP 4:

- ATTACH RUBBER MOLDING TO BASE OF CABINET USING CONTACT CEMENT.
- SCREW STAINLESS STEEL CORNER BRACKETS ON EACH CORNER OVER BASE MOLDING WITH HARDWARE PROVIDED.
- IF YOUR UNIT HAS TOTE TRAYS OR PLASTIC BINS, PLACE THEM IN DESIRED LOCATION.

DWN BY:	EMK	DWN DATE:	11/3/16
APR BY:		DATE APR:	
APR BY:		DATE APR:	

UNLESS OTHERWISE SPECIFIED
DIMENSION ARE IN INCHES
CABINET SQUARENESS ± .0625
FRACTIONAL VALUES ± 1/32"
- ALL VALUES ± OVERALL -



300 South Krueger Street
Suring, WI 54174
diversifiedwoodcrafts.com

TITLE:
TALL STORAGE CABINETS
ASSEMBLY INSTRUCTIONS

REV.	DESCRIPTION	DATE	NAME	ECH NO.
A	CREATED ASSEMBLY INSTRUCTIONS	11/3/16	EMK	-
REVISION LEVEL				

THIS DRAWING IS THE SOLE PROPERTY OF
DIVERSIFIED WOOD CRAFTS. IT MAY NOT
BE ALTERED OR CHANGED WITHOUT
PERMISSION

DRAWING NUMBER:	SCALE:	SHEET:	REVISION:
TALL STORAGE CABINETS	NTS	6 OF 6	REV A