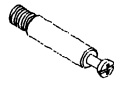

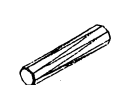
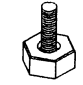
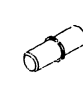
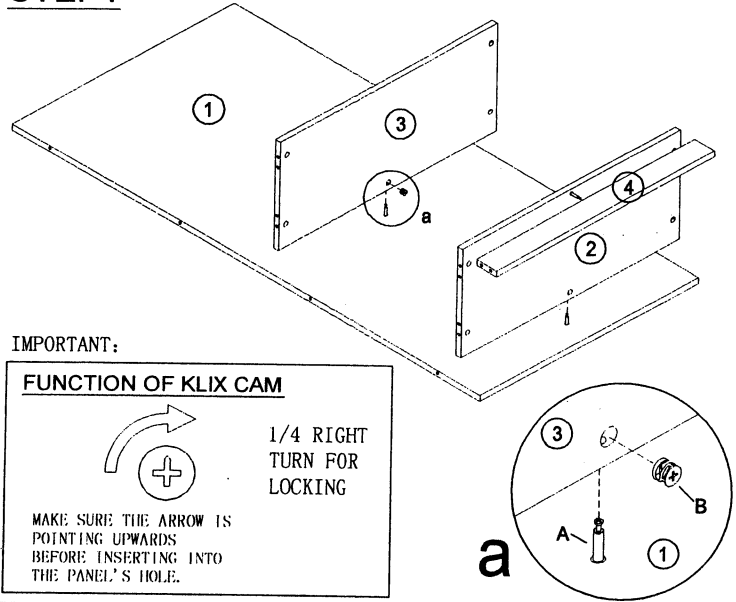


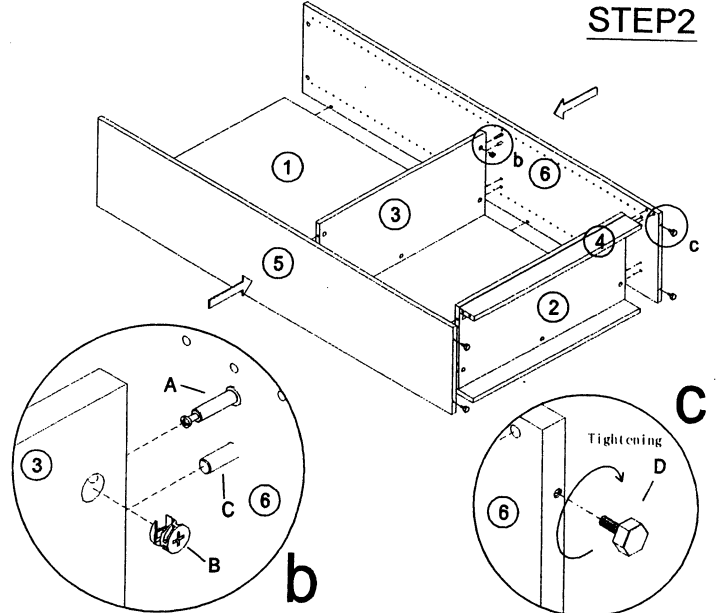
Assembly Instructions  
**MODEL NO.:N158**  
 BOOKCASE *3/4" Thick*

TUN010CL	TUN011KC	TUN026	TUN030AG	TUN020SD
<b>A</b>  Cam Lock 25Pcs+5Pcs(spare)	<b>B</b>  Klix Cam 25Pcs+5Pcs(spare)	<b>C</b>  Dowel 16Pcs+2Pcs(spare)	<b>D</b>  Adjustable Glide 4Pcs	<b>E</b>  Shelf dowel 12Pcs+2Pcs(spare)

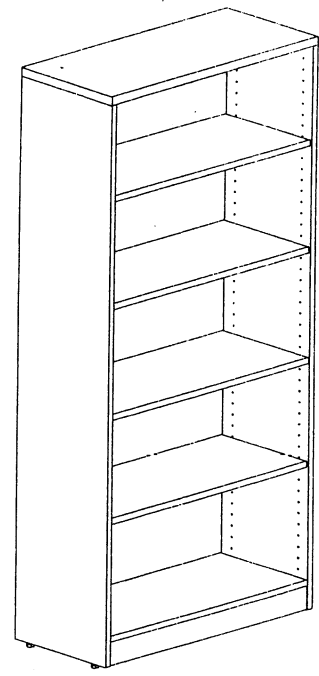
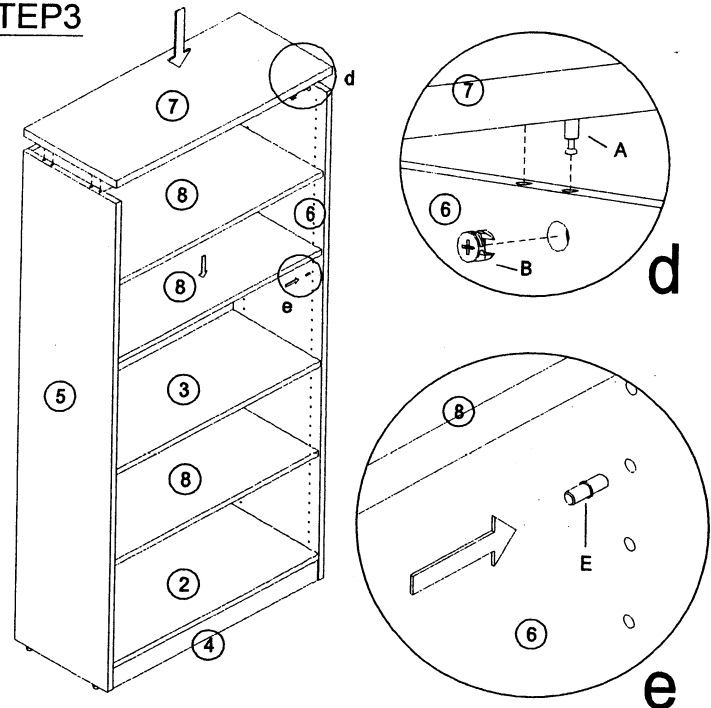
**STEP1**



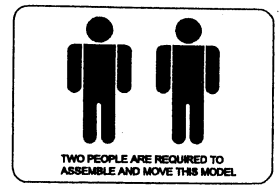
**STEP2**



**STEP3**



**COMPLETED ASSEMBLY**



**IMPORTANT NOTE:**

- Place all laminated parts on a clean and smooth surface such as a rug or carpet to avoid the parts from being scratched.
- Check to be sure that you have all parts and hardware.
- Remove all wrapping materials, including staples & packing straps before you start to assemble.
- Don't tighten all screws/bolts until all completely assembled.
- Keep all hardware parts out of reach of children.
- It is recommended to require 2 persons to complete the assembly.