


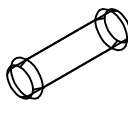
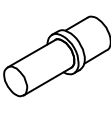


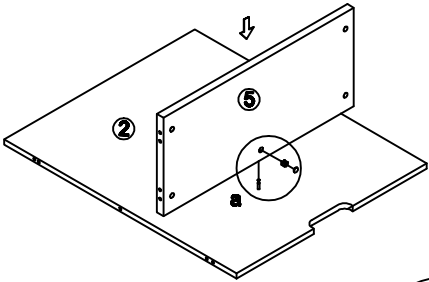


MODEL NO..N 133


HUTCH / BOOKCASE

TUN010CL	TUN011KC		TUN026	TUN020SG	TUN030AG	G
A 	B 	C 	D 	E 	F 	G 
Cam lock 20Pcs+1Pc(spare)	Klix Cam 20Pcs+1Pc(spare)	Cam Cover 20Pcs+1Pc(spare)	Dowel 14Pcs+1Pc(spare)	Shelf dowel 4Pcs+1Pc(spare)	Adjustable Glide 4 Pcs	screw 6x30 4Pcs

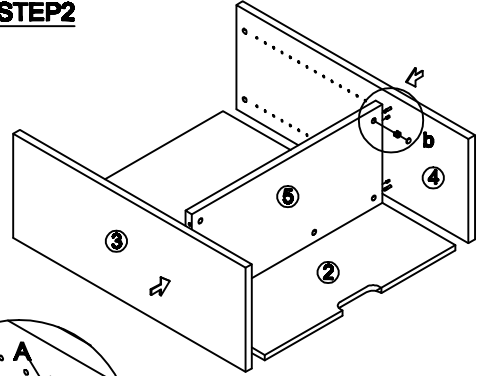
STEP1



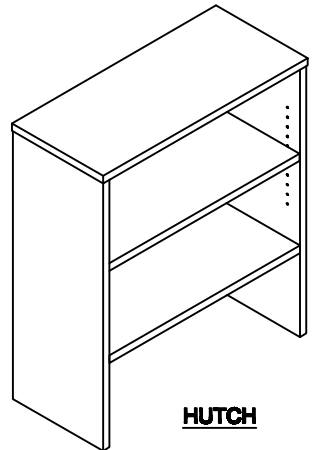
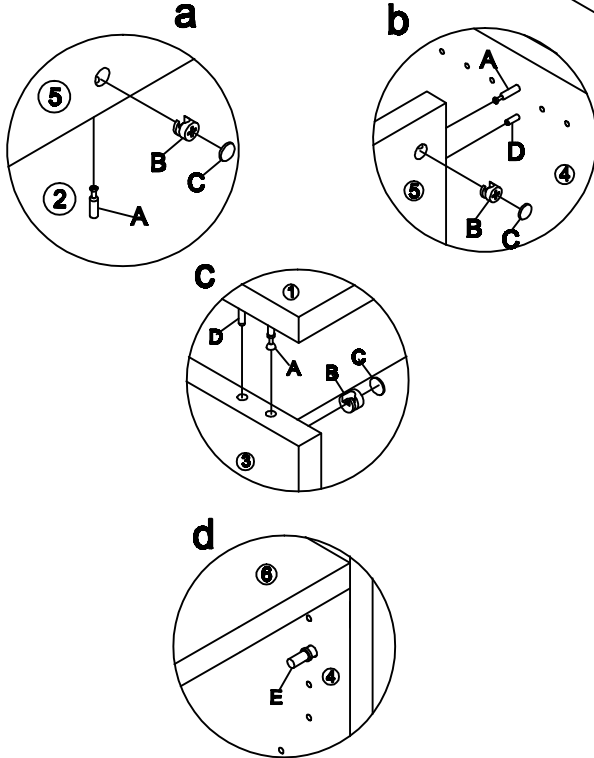
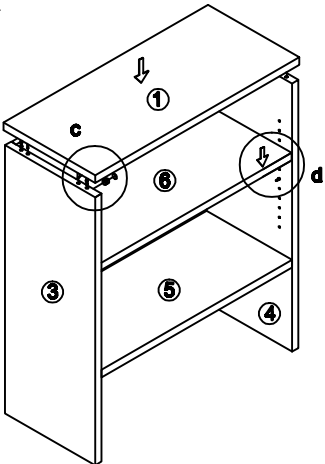
**IMPORTANT:
FUNCTION OF KLIX CAM**


 1/4 RIGHT
 TURN FOR
 LOCKING
 MAKE SURE THE ARROW IS
 POINTING UPWARDS BEFORE
 INSERTING INTO THE PANELS
 HOLE

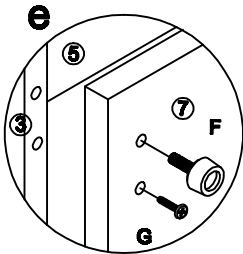
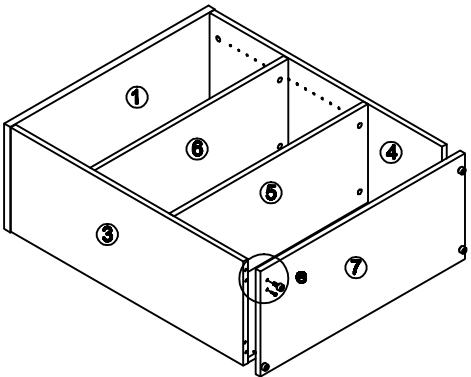
STEP2



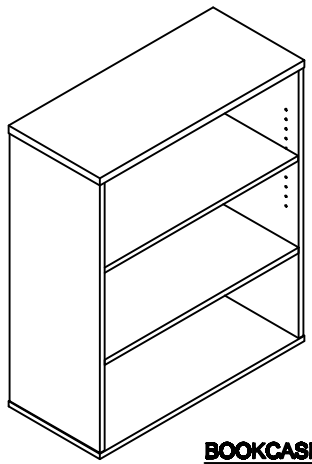
STEP3



**STEP4
(BOOKCASE)**



COMPLETED ASSEMBLY



IMPORTANT NOTE:

- Place all laminated parts on a clean and smooth surface such as a rug or carpet to avoid the parts from being scratched.
- Check to be sure that you have all parts and hardware.
- Remove all wrapping materials, including staples & packing straps before you start to assemble.
- Don't tighten all screws/bolts until all completely assembled.
- Keep all hardware parts out of reach of children