
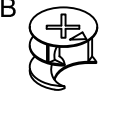
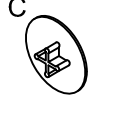
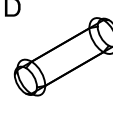
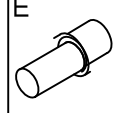
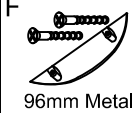
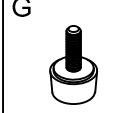
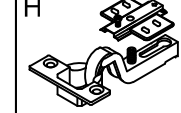

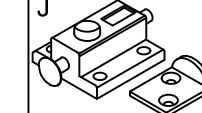

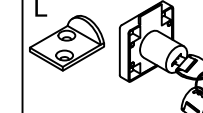
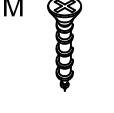


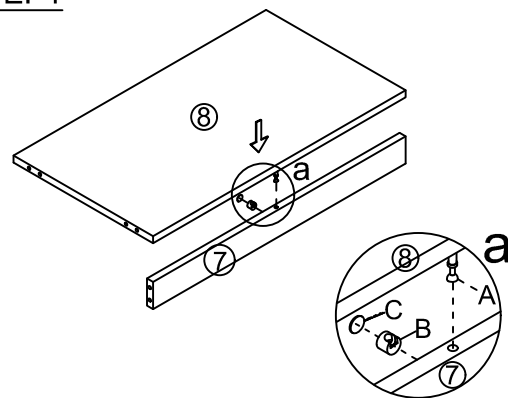
Assembly Instructions

MODEL NO.: N113

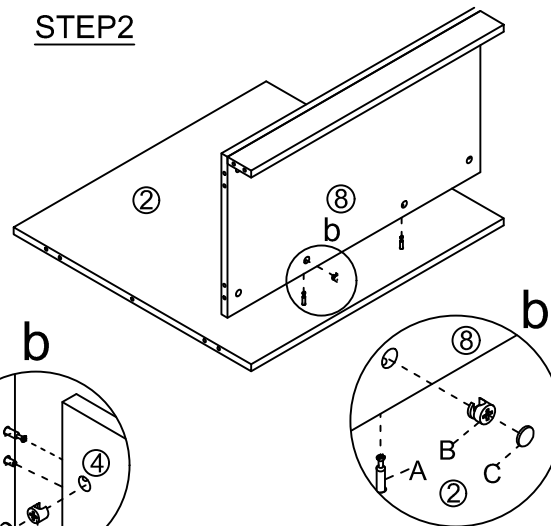
STORAGE CABINET

TUN010CL	TUN011KC	C	TUN026	TUN020SG	TUN006MH	TUN030AG	TUN022DH	TUN018SC	J	K	L	M
												
Cam lock 19Pcs+1Pc	Klix Cam 19Pcs+1Pc	Cam Cover 19Pcs+1Pc	Dowel 16Pcs+1Pc	Shelf dowel 4Pcs	96mm Metal scallop shape 2set	Adjustable Glide 4 Pcs	Center door hinge 4Pcs	Screw Ø4X16 24Pcs+1Pc	1set	Screw Ø3.5X12 8Pcs+1Pc	Keys 1set	Screw Ø4X19 4Pcs+1Pc

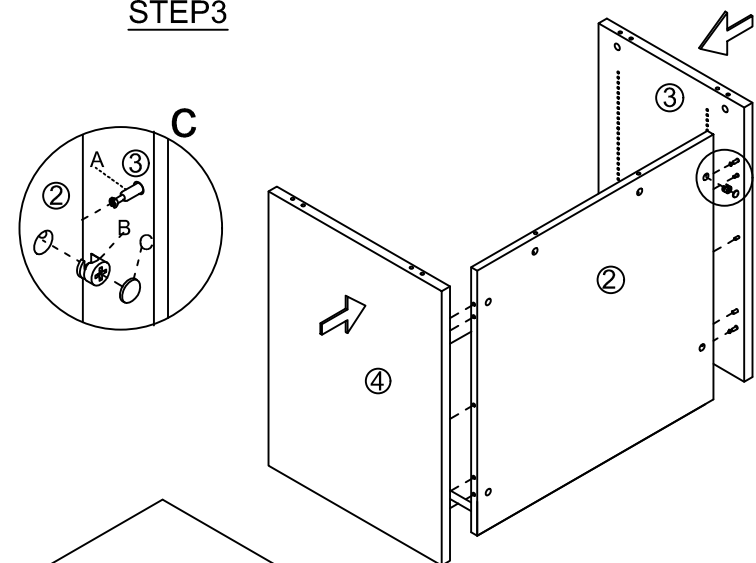
STEP1



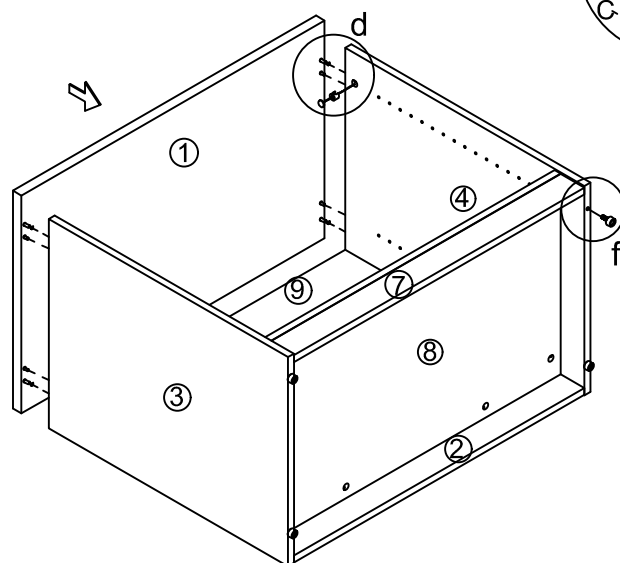
STEP2



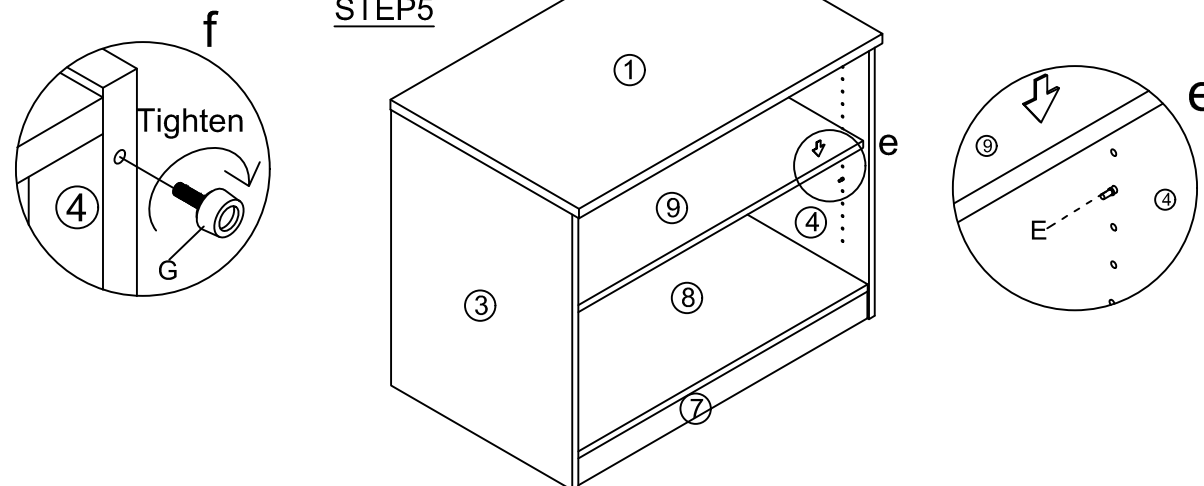
STEP3



STEP4



STEP5

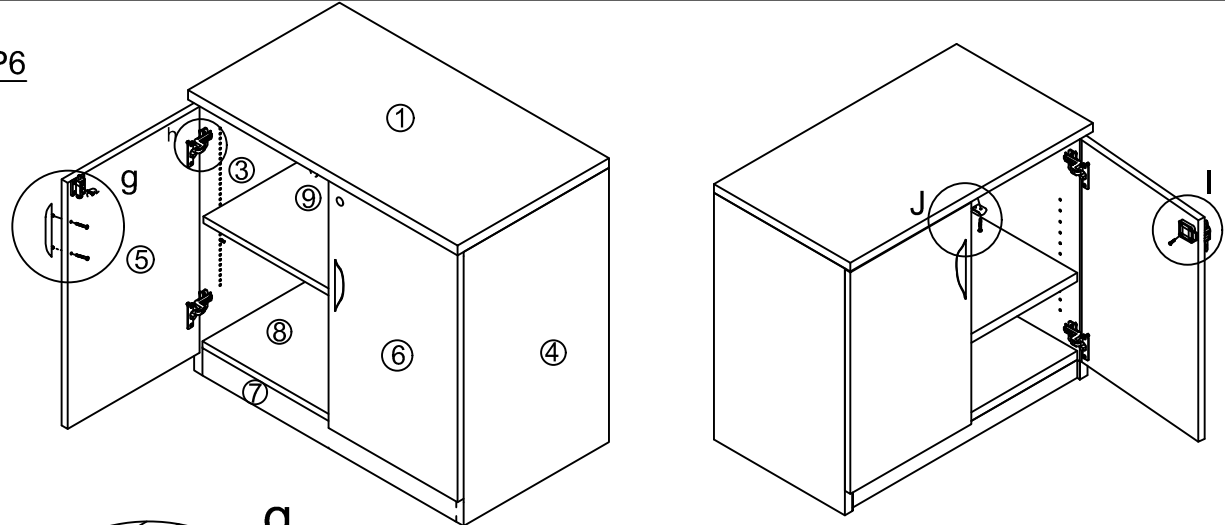


Assembly Instructions

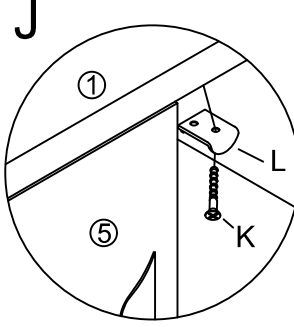
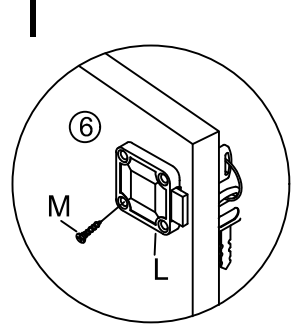
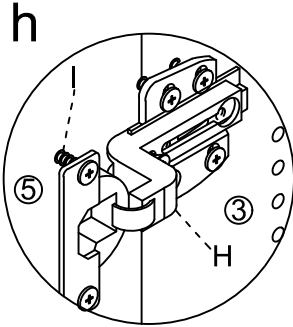
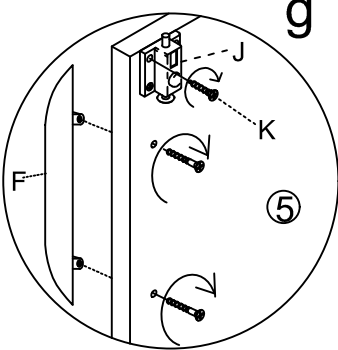
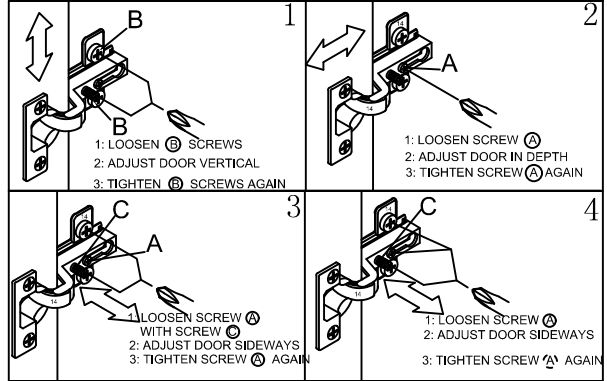
MODEL NO.:N113

STORAGE CABINET

STEP 6



To adjust doors



IMPORTANT:
FUNCTION OF KLIX CAX

1/4 RIGHT TURN FOR LOCKING

MAKE SURE THE ARROW IS POINTING UPWARDS BEFORE INSERTING INTO THE PANELS HOLE



IMPORTANT NOTE:

- Place all laminated parts on a clean and smooth surface such as a rug or carpet to avoid the parts from being scratched.
- Check to be sure that you have all parts and hardware.
- Remove all wrapping materials, including staples & packing straps before you start to assemble.
- Don't tighten all screws/bolts until all completely assembled.
- Keep all hardware parts out of reach of children
- If the product is not working properly, is missing a part, is damaged, or if you have any questions, please call customer service hotline before returning.
- Customer Service Hotline: 1-800-593-1888 For further assembly instructions, please visit our website at www.bosshair.com