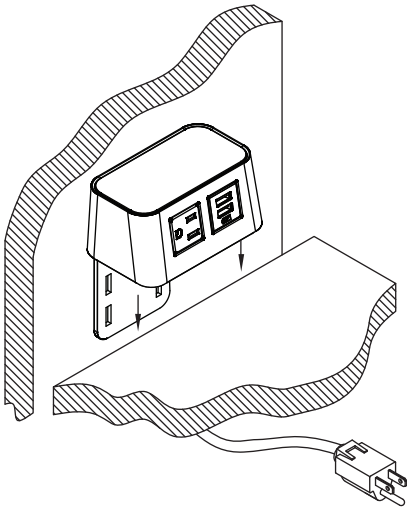


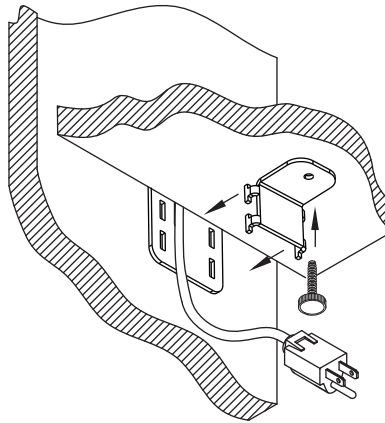
# BYRNE™

## INSTALLATION INSTRUCTIONS FOR A TWO WINDOW SLIDE MOUNT BURELÉ

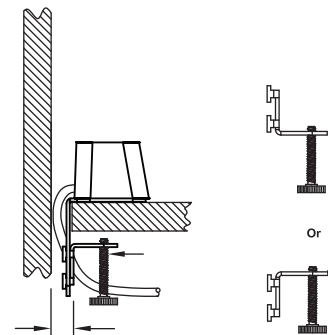
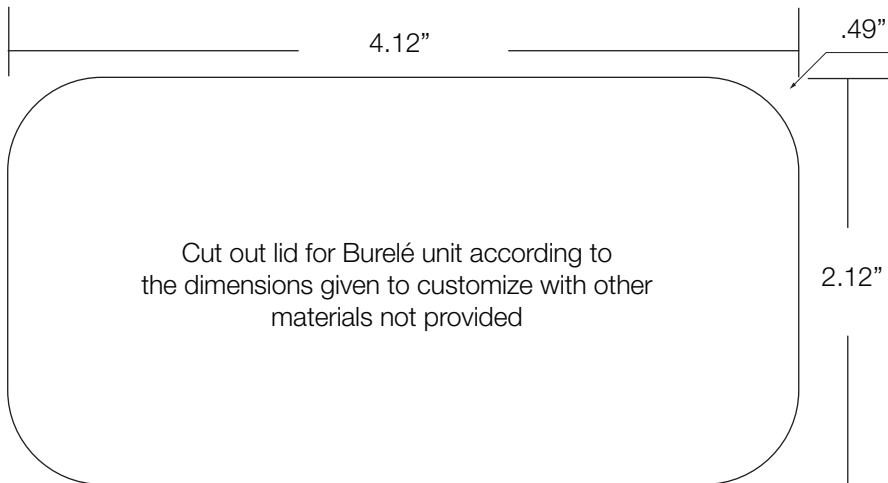
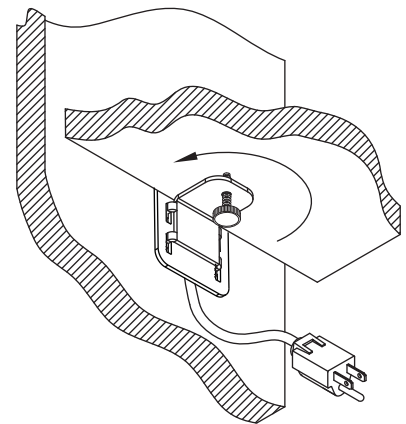
1



2

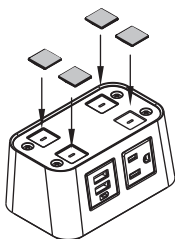


3



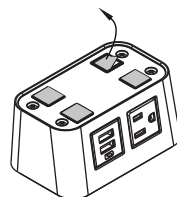
1/2" Minimum Clearance Gap

1



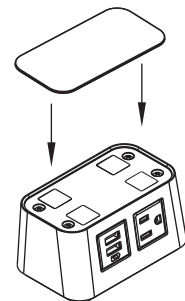
Snap Clips to Unit as shown

2



Remove adhesive backing

3



Align lid to Unit,  
Press firm to attach