

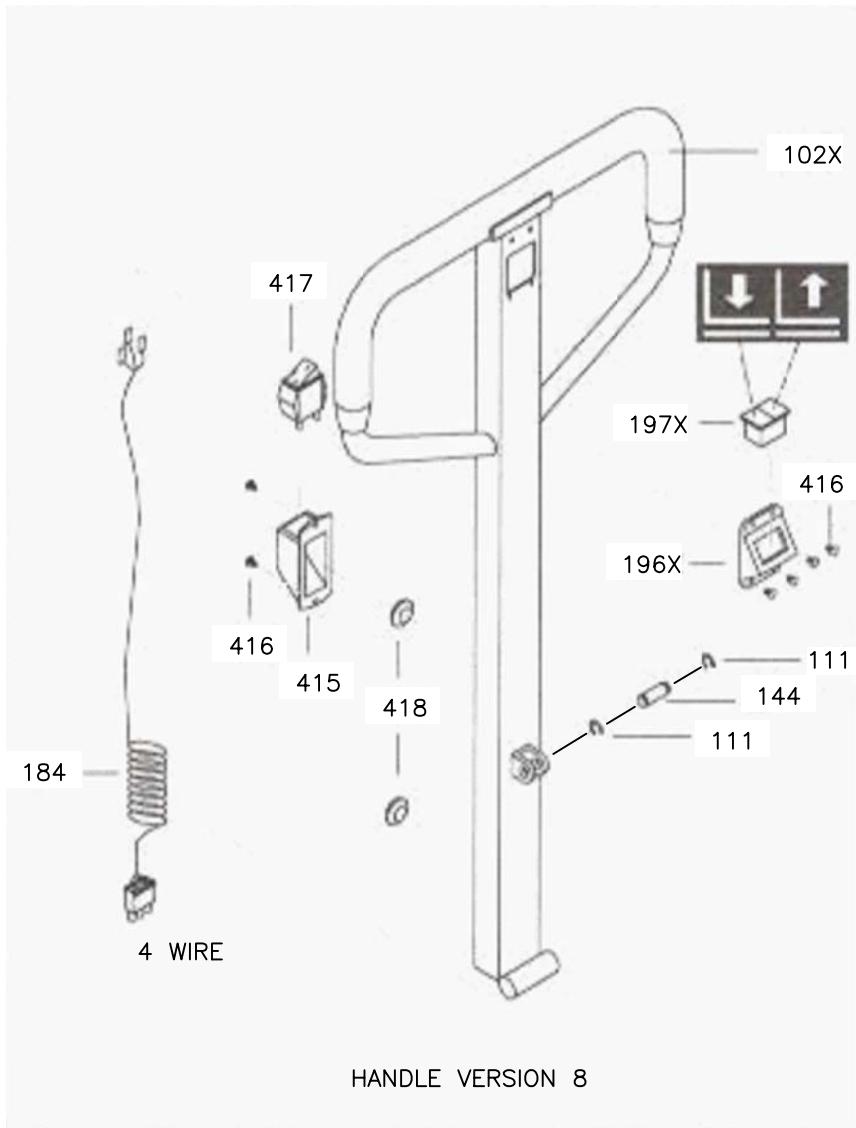
BILL OF MATERIAL			
ITEM	PART NO.	DESCRIPTION	QTY.
202	270619	BATTERY TERMINAL (+)	1
203	270624	BATTERY TERMINAL (-)	1
204	270625	TERMINAL	2
205	270626	WASHER	2
206	270627	SCREW	2
207	270628	ELECTRIC CONTROL CASE	1
215	*	RELAY	1
216	*	CONTROL VALVE	1
217	*	CAP	1
218	*	OIL TANK	1
220	270667	ASS'Y: 215,216,217,218	1
221	270635	SWITCH SOCKET	1
222	270636	FUSE BOX	2
224	270671	MAGNET	1
225	270637	RECHARGER SOCKET	1
251	270638	WASHER	4
254	172200	BATTERY, 12V/63Ah	1
255	270142	COVER	1
256	270639	SCREW	2
271	270645	RECHARGER, 12V/10A	1
273	270646	SCREW	2
277	270221	FUSE, 5A	2
279	270647	BATTERY FIXING SCREW	2
281	270648	NUT	2
282	270649	HIGH PRESSURE OIL PIPE	1
283	270650	VOLTAGE METER	1
284	270672	WASHER	2
285	270673	WASHER	2
286	270674	SCREW	2

THIS DRAWING IN ALL PARTICULARS IS WESCO INDUSTRIAL PRODUCTS INC. PROPERTY. ALL RIGHTS OF DESIGN, INVENTION OR USE OF ARE RESERVED.

**PRINT ISSUED**  
 OCT 19 2011  
 WESCO MANUFACTURING  
 ENGINEERING DEPARTMENT

REV. ECH & DATE	PART NAME		WESCO INDUSTRIAL PRODUCTS INC.	
	272937 & 272939		LANSDALE PENNA. 19446	
	ELECTRIC CONTROL ASS'Y		DRAWING: DPR 10-19-11	
	TOLERANCE UNLESS OTHERWISE SPECIFIED		CHECKED:	
	FRACTION 3 PLACE DECIMAL 2 PLACE DECIMAL		APP. ENGR.	
± 1/64 ± .005 ± .01		SCALE: 1" = 1"		
ANGULAR ± 1-1/2°		SHEET 1 OF 5		
BREAK ALL SHARP EDGES AND REMOVE ALL BURRS		272937/39 REV A		

BILL OF MATERIAL			
ITEM	PART NO.	DESCRIPTION	QTY.
102X	270342	HANDLE	1
111	270304	SNAP RING	2
114	270307	PIN	1
*	270396	ITEMS 184 & 197X	1
184	*	SWITCH WIRE & PLUG	1
197X	*	UP/DOWN SWITCH	1
196X	270476	SWITCH HOUSING	1
415	270668	SWITCH HOUSING	1
416	270669	SCREW	6
417	270665	SWITCH	1
418	270670	INSULATED WASHER	2

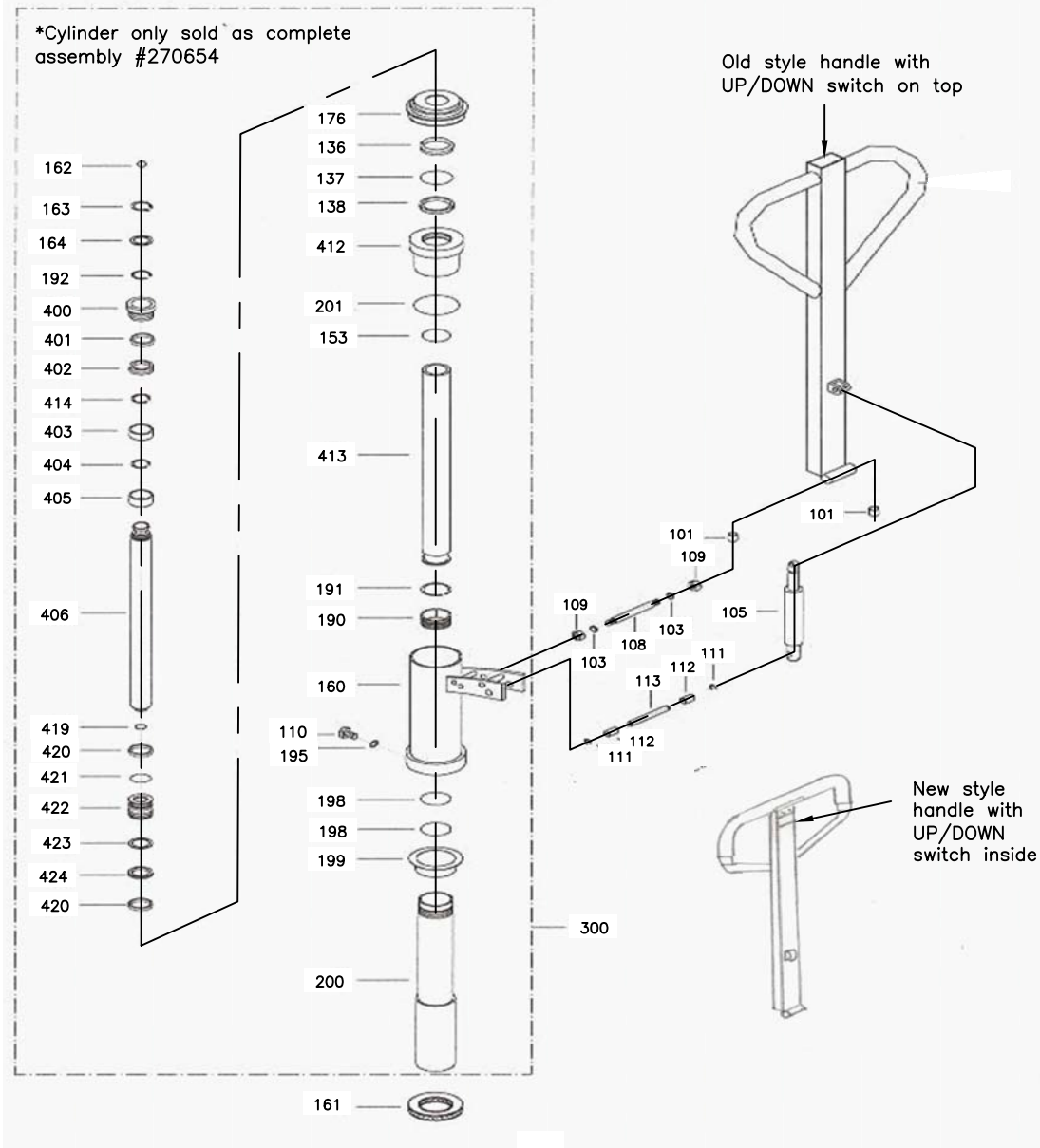


THIS DRAWING IN ALL PARTICULARS IS WESCO INDUSTRIAL PRODUCTS INC. PROPERTY. ALL RIGHTS OF DESIGN, INVENTION OR USE OF ARE RESERVED.

**PRINT ISSUED**  
 OCT 19 2011  
 WESCO MANUFACTURING  
 ENGINEERING DEPARTMENT

REV. ECH & DATE REVISIONS APP.	<b>WESCO INDUSTRIAL PRODUCTS INC.</b>		PENNA. 19446	
	LANSDALE		DRAWING: DPR 10-19-11	
	PART NAME 272937 & 272939 NEW STYLE HANDLE-50X		CHECKED:	
	TOLERANCE UNLESS OTHERWISE SPECIFIED		APP. ENGR.	
	FRACTION	3 PLACE DECIMAL	2 PLACE DECIMAL	SCALE: 1" = 1"
± 1/64	± .005	± .01	272937/39 REV A	
ANGULAR ± 1-1/2°	SHEET 2 OF 5			
BREAK ALL SHARP EDGES AND REMOVE ALL BURRS				

\*Cylinder only sold as complete assembly #270654



**BILL OF MATERIAL**

ITEM	PART NO.	DESCRIPTION	QTY.
101	270684	SPACER	2
103	270685	WASHER	2
105	270104	TENSION SPRING	1
108	270286	PIN	1
109	270686	NUT	2
110	270302	ADJUSTING SCREW	1
111	270304	SNAP RING	2
112	270305	SLEEVE	2
113	270306	PIN	1
136	*	SCAPER RING	1
137	*	O-RING	1
138	*	Y-RING	1
153	*	O-RING	1
160	*	PUMP HOUSING	1
161	270319	THRUST BEARING	1
162	*	BALL	1
163	*	SNAP RING	1
164	*	WASHER	1
176	*	RUBBER SLEEVE	1
190	*	COPPER PISTON	1
191	*	SNAP RING	1
192	*	SNAP RING	1
195	270336	WASHER	1
198	*	O-RING	2
199	*	BUSHING	1
200	*	CYLINDER	1
201	*	BACK-UP RING	1
400	*	BRONZE BUSHING	1
401	*	BACK-UP RING	1
402	*	Y-RING	1
414	*	SNAP RING	1
403	*	BUSHING	1
404	*	SNAP RING	1
405	*	BUSHING	2
406	*	PISTON ROD	1
419	*	SNAP RING	1
420	*	BUSHING	2
421	*	O-RING	1
422	*	PISTON	1
423	*	BACK-UP RING	1
424	*	Y-RING	1
413	*	CYLINDER	1
412	*	CYLINDER HEAD	1
300	270654	CYLINDER UNIT	1

THIS DRAWING IN ALL PARTICULARS IS WESCO INDUSTRIAL PRODUCTS INC. PROPERTY. ALL RIGHTS OF DESIGN, INVENTION OR USE OF ARE RESERVED.

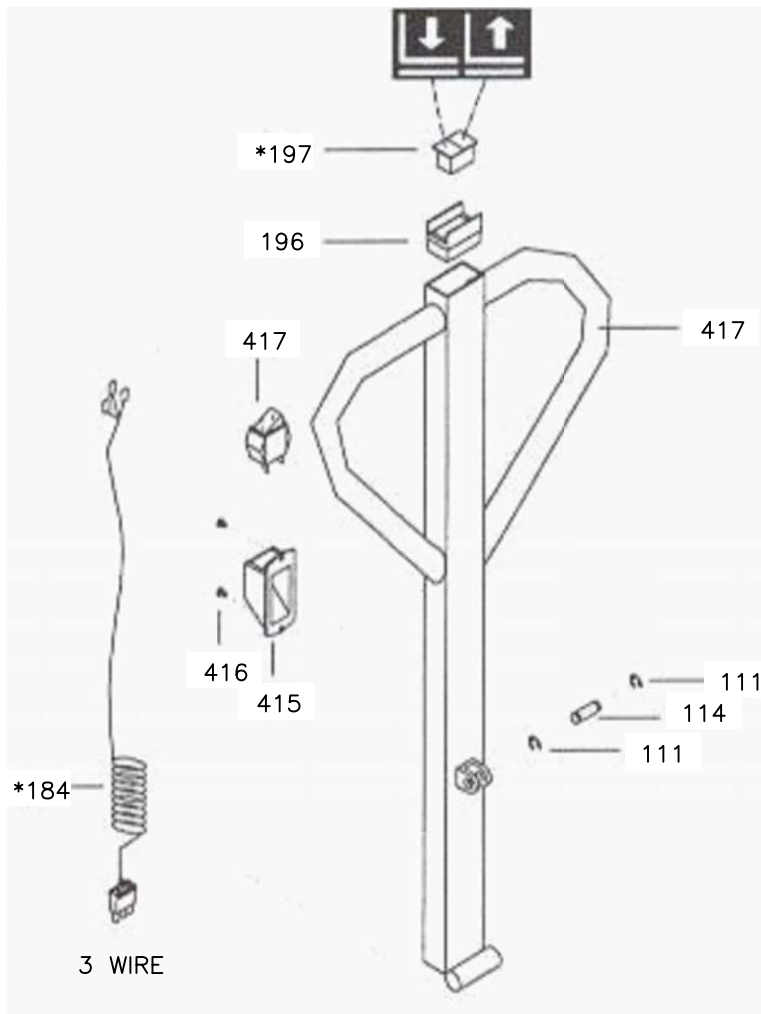
PRINT ISSUED

OCT 19 2011

WESCO MANUFACTURING  
ENGINEERING DEPARTMENT

REV. ECH & DATE	APP. REVISIONS		APP.	
	<b>WESCO INDUSTRIAL PRODUCTS INC.</b>			
	PARTS NAME 272937 & 272939 CYLINDER ASSEMBLY		LANSDALE PENNA. 19446	
	DRAWING: DPR 10-19-11		CHECKED:	
	APP. ENGR.		SCALE: 1" = 1"	
TOLERANCE UNLESS OTHERWISE SPECIFIED				
FRACTION 3 PLACE DECIMAL 2 PLACE DECIMAL		SCALE: 1" = 1"		
± 1/64 ± .005 ± .01		SHEET 3 OF 5		
ANGULAR ± 1-1/2°		BREAK ALL SHARP EDGES AND REMOVE ALL BURRS		
272937/39		REV A		

BILL OF MATERIAL			
ITEM	PART NO.	DESCRIPTION	QTY.
102	270283	HANDLE	1
111	270304	SNAP RING	2
114	270307	PIN	1
*	270331	ITEMS 184 & 197*	1
184	*	SWITCH WIRE & PLUG-3 WIRE	1
197*	*	UP/DOWN SWITCH	1
196	270337	SWITCH HOUSING	1
415	270668	SWITCH HOUSING	1
416	270669	SCREW	2
417	270665	SWITCH	1



UP/DOWN SWITCH #197 ON TOP OF HANDLE

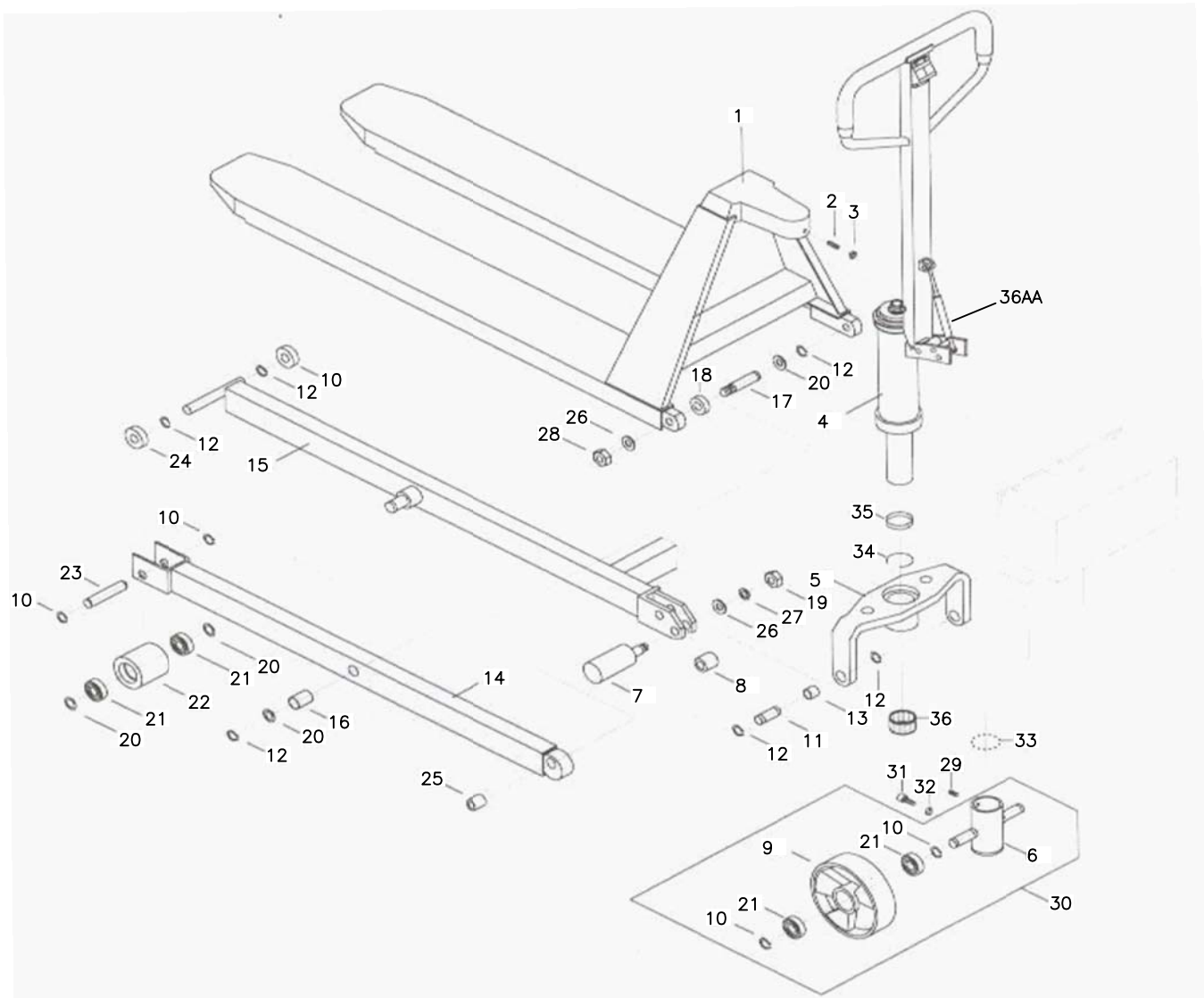
THIS DRAWING IN ALL PARTICULARS IS WESCO INDUSTRIAL PRODUCTS INC. PROPERTY. ALL RIGHTS OF DESIGN, INVENTION OR USE OF ARE RESERVED.

PRINT ISSUED  
 OCT 19 2011  
 WESCO MANUFACTURING  
 ENGINEERING DEPARTMENT

REV.	ECH & DATE	REVISONS	APP.	WESCO INDUSTRIAL PRODUCTS INC.	
				LANSDALE PENNA. 19446	
				PART NAME 272937 & 272939	
				DRAWING: DPR 10-19-11	
				CHECKED:	
				APP. ENGR.	
TOLERANCE UNLESS OTHERWISE SPECIFIED					
FRACTION		3 PLACE DECIMAL	2 PLACE DECIMAL	SCALE: 1" = 1"	
± 1/64		± .005	± .01	272937/39	
ANGULAR ± 1-1/2°		SHEET 4 OF 5		REV	A
BREAK ALL SHARP EDGES AND REMOVE ALL BURRS					

**BILL OF MATERIAL**

ITEM	PART NO.	DESCRIPTION	QTY.
1	270064	27"X48" FORK FRAME	1
1	270599	21"X48" FORK FRAME	1
2	270066	SCREW	1
3	270067	NUT	1
4	270654	HYDRAULIC PUMP	1
5	270071	HOLD YOKE	1
6	270072	WHEEL YOKE	1
7	270147	CENTRIFUGAL AXLE	2
8	270074	SPACER	2
9	270078	STEERING WHEEL	2
10	270079	SNAP RING	8
11	270080	PIN	2
12	270081	SNAP RING	12
13	270082	BUSH	2
14	270083	LEG	2
15	270085	LEG	1
16	270086	BUSH	2
17	270088	PIN	2
18	270089	WASHER	2
19	270090	NUT	2
20	270091	WASHER	8
21	270092	BALL BEARING	8
22	270093	FRONT WHEEL	2
23	270094	WHEEL AXLE	2
24	270095	ROLLER	4
25	270098	BUSH	2
26	270099	WASHER	4
27	270139	SPRING WASHER	2
28	270282	LOCK NUT	2
29	270592	SCREW	1
30	N/A	N/A	-
31	270593	SCREW	1
32	270594	NUT	1
33	270595	BALLS	43
34	270596	SNAP RING	1
35	270597	BUSHING	1
36	270598	NEEDLE BEARING	1
36AA	270140	TENSION SPRING	1



THIS DRAWING IN ALL PARTICULARS IS WESCO INDUSTRIAL PRODUCTS INC. PROPERTY. ALL RIGHTS OF DESIGN, INVENTION OR USE OF ARE RESERVED.

**PRINT ISSUED**  
 OCT 19 2011  
 WESCO MANUFACTURING  
 ENGINEERING DEPARTMENT

REV. ECH & DATE	APP. REVISIONS		<b>WESCO INDUSTRIAL PRODUCTS INC.</b> LANSDALE PENNA. 19446	
	PART NAME		DRAWING: DPR 10-19-11	
	272937 & 272939		CHECKED:	
	FRAME ASSEMBLY		APP. ENGR.	
	TOLERANCE UNLESS OTHERWISE SPECIFIED			
FRACTION		3 PLACE DECIMAL	2 PLACE DECIMAL	SCALE: 1" = 1"
± 1/64		± .005	± .01	272937/39 REV A
ANGULAR ± 1-1/2°		SHEET 5 OF 5	BREAK ALL SHARP EDGES AND REMOVE ALL BURRS	