

Replacement Parts List (40" Lift)

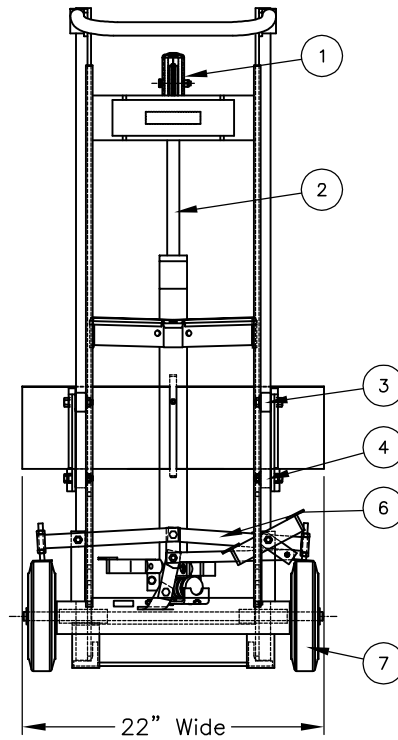
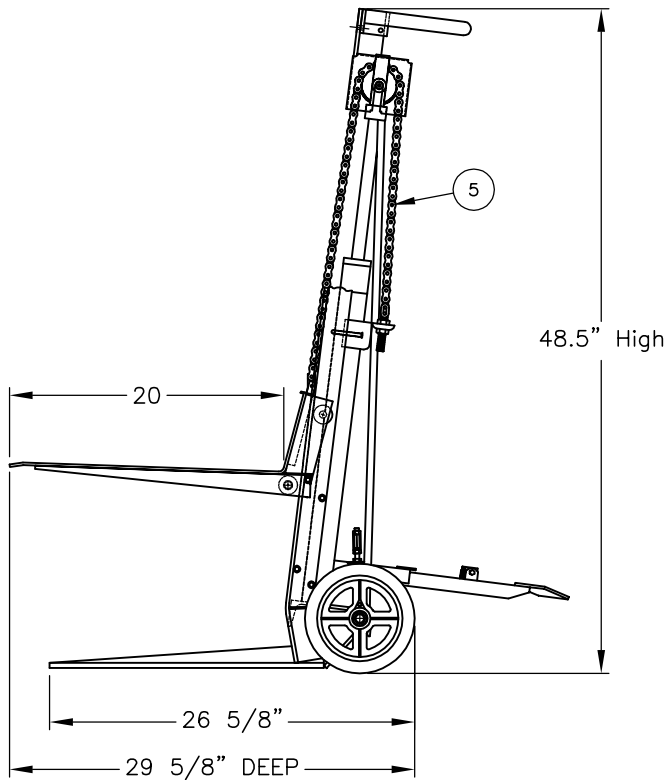
1	260143	ROLLER CARRIER ASS'Y	1
2	051160	JACK ASS'Y (40")	1
3	101218	CAM: FOLLOWER	2
4	108517	ROLLER: MAG PLATFORM	2
5	108503	CHAIN: #520 RIVETED ROLLER	2.79'
6	260079	KIT: WHEEL LOCK "FOOT STYLE" (MPL-40/54)	1
7	108545	WHEEL: "R" 8x1-5/8 MOR/AC	2

MAGNESIUM FRAME PEDALIFTS

- Magnesium construction for lightweight ruggedness.
- 20"D X 22"W platform size.
- Wheel locks are standard on all models.
- Front of platform touches the floor.
- Frame and lift heights vary among models.

TWO WHEELED HYDRAULIC

- Foot operated hydraulic pump raises platform
- Foot release lowers platform.
- Wheel lock standard.



P/N 260004

Model: MPL-40-2022
 Lift Height: 40"
 Weight: 63 lbs
 Capacity: 400 lbs
 Boxed: No

THIS DRAWING IN ALL PARTICULARS IS WESCO INDUSTRIAL PRODUCTS INC. PROPERTY. ALL RIGHTS OF DESIGN, INVENTION OR USE OF ARE RESERVED.

PRINT ISSUED

MAY 17, 2006

WESCO MANUFACTURING
ENGINEERING DEPARTMENT

REV. ECH & DATE	WESCO INDUSTRIAL PRODUCTS INC. LANSDALE PENNA. 19446	
	PART NAME MPL-40-2022	DRAWING: KL 09-21-01 CHECKED: PS 09-21-01 APP. ENGR.
	TOLERANCE UNLESS OTHERWISE SPECIFIED	
	FRACTION 3 PLACE DECIMAL 2 PLACE DECIMAL ± 1/64 ± .005 ± .01	SCALE: 1" = 7"
ANGLUAR ± 1-1/2° SHEET 1 OF 1 BREAK ALL SHARP EDGES AND REMOVE ALL BURRS	C-260004	REV