

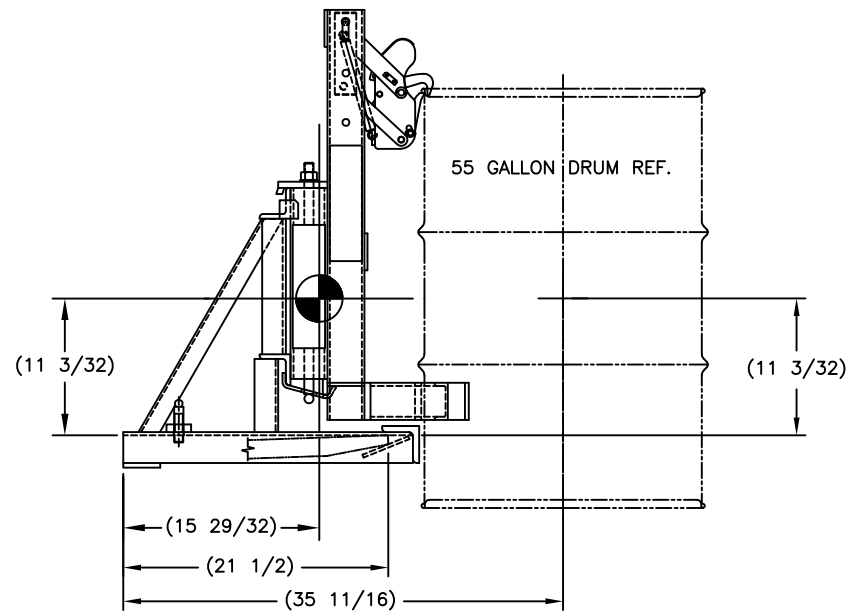
P/N **240097 Fork Mounted, Double**

Model GG-F2  
 Capacity 1,600 lbs.  
 I.D. 7" x 2.25"  
 Weight 340 lbs.  
 Overall Dim. HxWxD 37" x 32" x 28"  
 Boxed No

REPLACEMENT PARTS LIST			
ITEM	PART NO.	DESCRIPTION	QTY.
1	055279	GATOR GRIP ASSEMBLY	2
2	052974	CLAMP HANDLE WLDMT	2
Gator Belt Option			
3	240107	KIT: BELT OPTION	1

**GATOR GRIP**

- Picks up drums automatically. Driver never leaves seat while lifting and releasing drums.
- Use with open or closed head drums.
- Handles steel, fiber and poly drums.
- Gator Grips made USA
- Both single and dual grip products available.
- Economy and Heavy Duty models.



PRINT ISSUED

AUG 29 2001

WESCO MANUFACTURING  
ENGINEERING DEPARTMENT

THIS DRAWING IS AN INSTRUMENT OF WESCO INDUSTRIAL PRODUCTS INC. PROPERTY. ALL RIGHTS OF DESIGN, INVENTION OR USE OF ARE RESERVED.

12-21-12	REV. 01	<b>WESCO INDUSTRIAL PRODUCTS INC.</b>	
DATE & TIME	REVISIONS	NORTH WALES	PENNA. 19454
		PART NAME	GRIP: GATOR
			FORK MOUNTED, DOUBLE
		WEEK LDU	3-29-01
		WEEK OPS	3-29-01
		WEEK ENR	
		TOLERANCE UNLESS OTHERWISE SPECIFIED	
		FRACTIONS	3 PLACES DECIMAL
		DECIMALS	3 PLACES DECIMAL
		ANGLES	1/16" & 1/32"
		SCALE	1" = 1'-5"
		DRW. NO.	D-240097
			C