

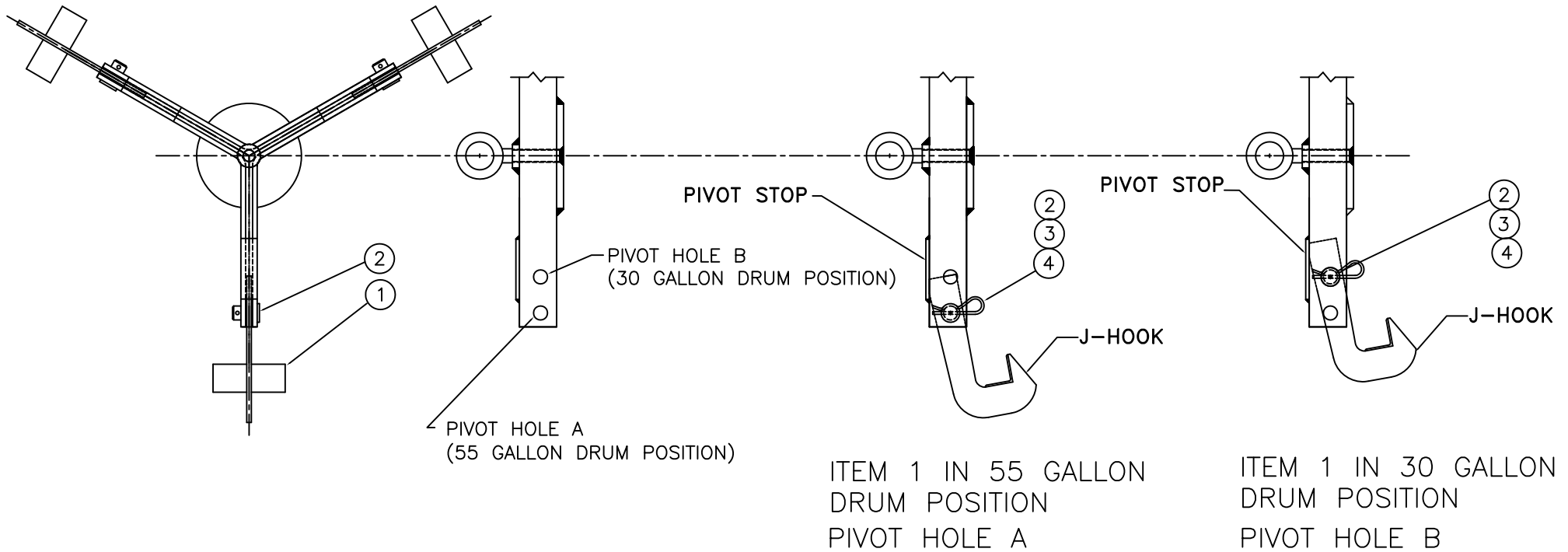
OPEN HEAD DRUM LIFTER

- For use with standard steel or poly drums with at least a 3/16" chime.
- Lifting arms are adjustable to work with most 55 or 30 gallon drums.
- Three-point contact of the lifting arms prevents or minimizes deformation of the drum and provides more secure lifting.
- Also works on closed head drums.

P/N **240038**
 Model OHDL-3
 Capacity 1,000 lbs
 Weight 18 lbs
 Boxed YES

REPLACEMENT PARTS LIST

ITEM	PART NO.	DESCRIPTION	QTY.
1	055828	WELDMENT: LIFTER	3
2	101136	PIN	3
3	101143	PIN: HAIR	3
4	100051	WASHER	3



THIS DRAWING IN ALL PARTICULARS IS WESCO INDUSTRIAL PRODUCTS INC. PROPERTY. ALL RIGHTS OF DESIGN, INVENTION OR USE OF ARE RESERVED.

PRINT ISSUED
 JUNE 17, 2009
 WESCO MANUFACTURING
 ENGINEERING DEPARTMENT

REV.	12-04-12	R	W	S	APP.
	12-04-12	C	U	W	S

WESCO INDUSTRIAL PRODUCTS INC.		NORTH WALES		PENNA. 19454	
PART NAME		OHDL-3		DRAWN: RDS 04-17-08	
		(DRUM LIFTERS SERIES)		CHECKED:	
				APP. ENGR.	
TOLERANCE UNLESS OTHERWISE SPECIFIED					
FRACTION		3 PLACE DECIMAL		2 PLACE DECIMAL	
± 1/64		± .005		± .01	
ANGULAR ± 1-1/2'		SHEET 1 OF 1		SCALE: 1" = 1"	
BREAK ALL SHARP EDGES AND REMOVE ALL BURRS		C-240038		REV C	