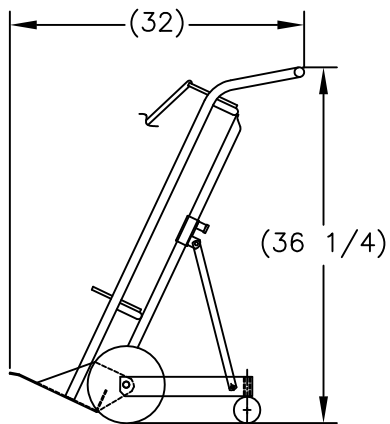
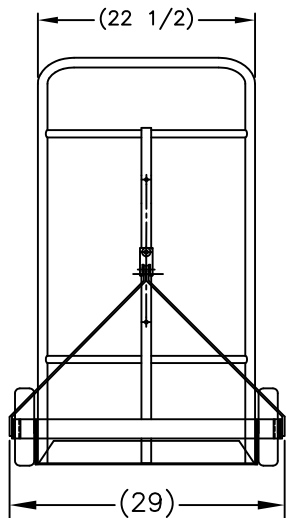
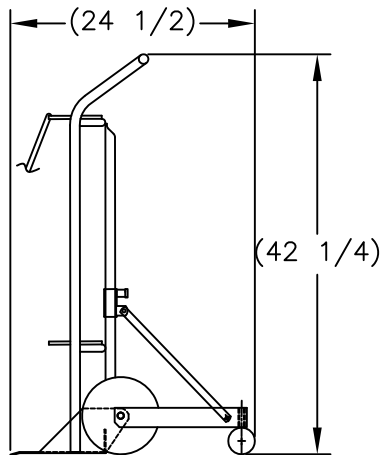


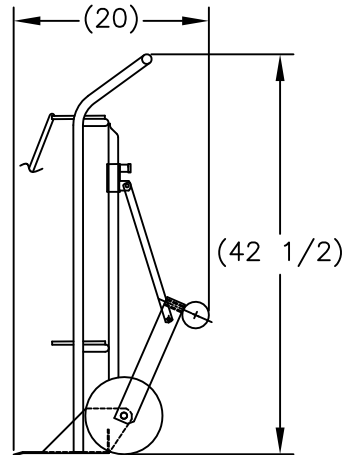
210124



4-WHEEL MODE



STORAGE MODE



2-WHEEL MODE

REPLACEMENT PARTS LIST

ITEM	PART NO.	DESCRIPTION	QTY.
1	108499	REPLACEMENT PIN	-
2	150694	WHEEL (8 X 2)	2
3	108465	CASTER 3" (FOR UNITS PRIOR 2010)	2
4	108473	CASTER 3" (FOR UNITS AFTER 2010)	2
5	108472	HARDWARE KIT	2
6	108468	S HOOK (.177" DIAMETER)	1
7	108469	S HOOK (.1875" DIAMETER)	1
8	053344	CHAIN	2

PROFESSIONAL SERIES CYLINDER TRUCK

- Safety chain secures load.
- Easy conversion between all 3 modes using spring-loaded position lock mechanism.
- 8" Moldon rubber wheels, 3" swivel casters.
- Holds cylinders up to 9.25" in diameter.

P/N **210124**  
 Model: CC-2  
 Capacity: 500 lbs  
 Weight: 38.5 lbs  
 Front Wheels: 8" Moldon Rubber  
 Rear Wheels: 3" Caster

THIS DRAWING IN ALL PARTICULARS IS WESCO INDUSTRIAL PRODUCTS INC. PROPERTY. ALL RIGHTS OF DESIGN, INVENTION OR USE OF ARE RESERVED.

R W S AP	02-01-13 UPDATED	E C N & D A T E	R E V I S I O N S	<b>WESCO INDUSTRIAL PRODUCTS INC.</b>	
				NORTH WALES	PENNA. 19454
C	REV.	REV.	REV.	PART NAME CC-2 Professional Cylinder Truck	
				DRAWN:	
				CHECKED:	
				APP. ENGR.	
TOLERANCE UNLESS OTHERWISE SPECIFIED				SCALE:	
FRACTION		3 PLACE DECIMAL		2 PLACE DECIMAL	
± 1/64		± .005		± .01	
ANGULAR ± 1-1/2'		SHEET 1 OF 1		B- 210124	
BREAK ALL SHARP EDGES AND REMOVE ALL BURRS				REV	C