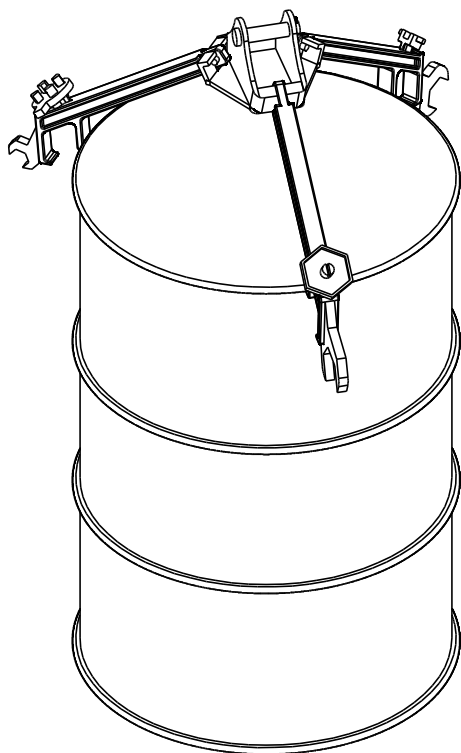
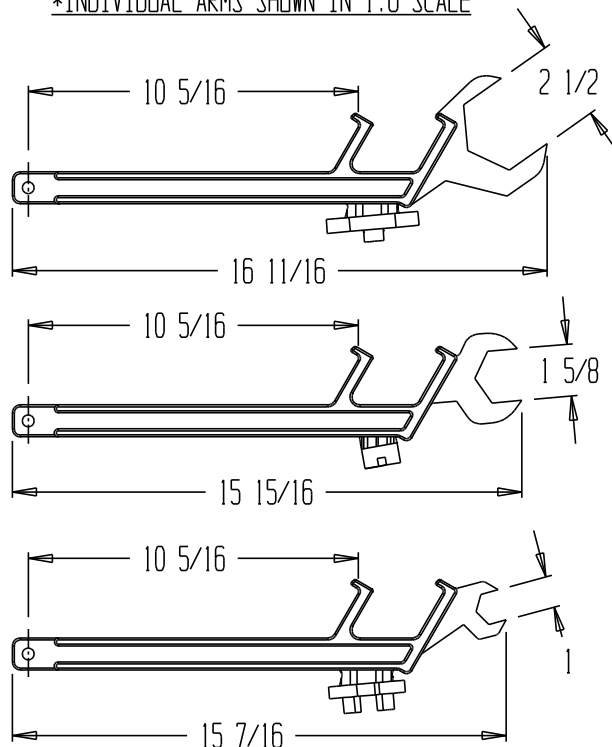


MULTI-PURPOSE OVERHEAD DRUM LIFTER/WRENCH PDL-800-M

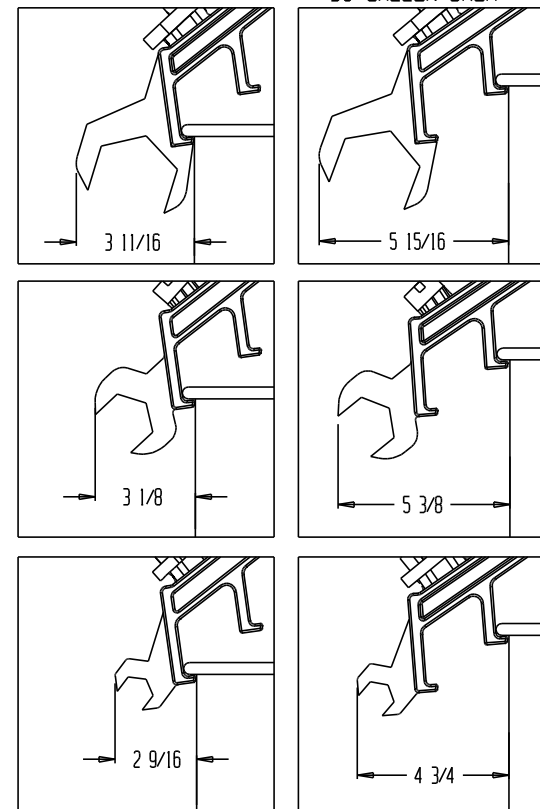


*INDIVIDUAL ARMS SHOWN IN 1:6 SCALE



DIMENSIONS WITH 55 GALLON DRUM

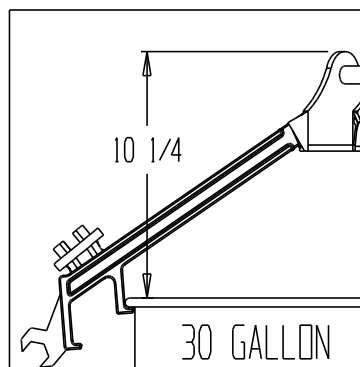
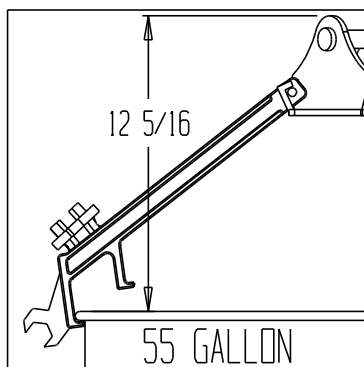
DIMENSIONS WITH 30 GALLON DRUM



VIEWS ABOVE SCALE: 1:6

STANDARD FEATURES

MODEL NUMBER: PDL-800-M
 CAPACITY: 800 LBS
 DISASSEMBLED ARMS SERVE AS PLUG,
 FAUCET OR RING WRENCH
 UNIT TO BE USED WITH FIBER,
 PLASTIC OR STEEL 55 GAL. DRUMS
 HOUSING HEIGHT - $4\text{-}1\frac{1}{4}$ "



VIEW SCALE: 1:8

APPROVAL

I, the undersigned, hereby approve this print
 As drawn As marked
 This includes my approval of design & dimensions.

Signed: _____

Date: _____

**SPECIAL UNITS ARE NON-RETURNABLE
 *AVAILABLE AT ADDITIONAL COSTS

PRODUCTION WILL START UPON
 RECEIPT OF SIGNED APPROVAL
 DRAWING

DISTRIBUTOR'S NAME:		P.O.#: _
T & S EQUIPMENT		W.O.#: _
DRAWN BY: K. YOUNG	DATE: _	SALES: _
REFERENCE:		DRWG./FILE NAME:
-	scale: 1:10	09-007-082