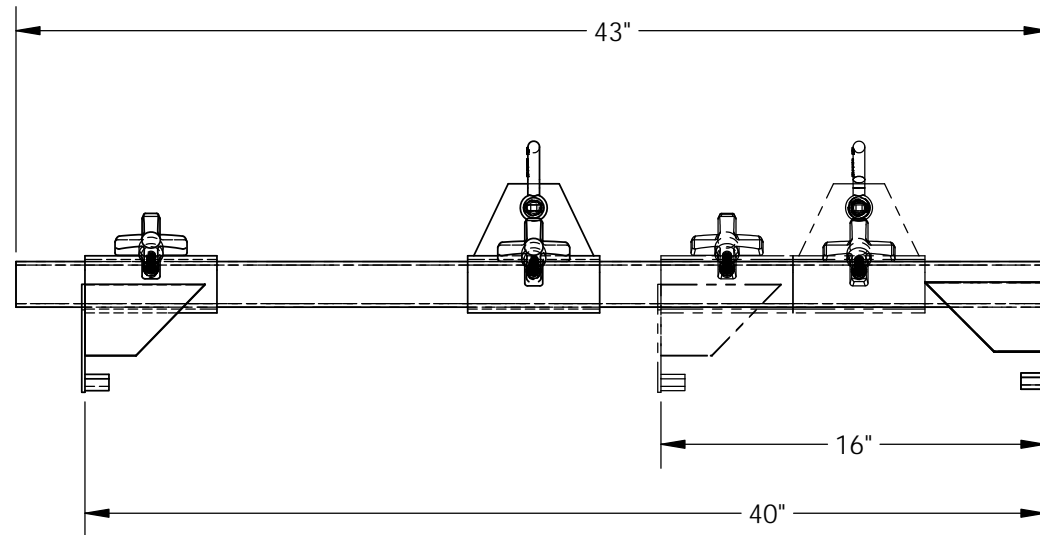
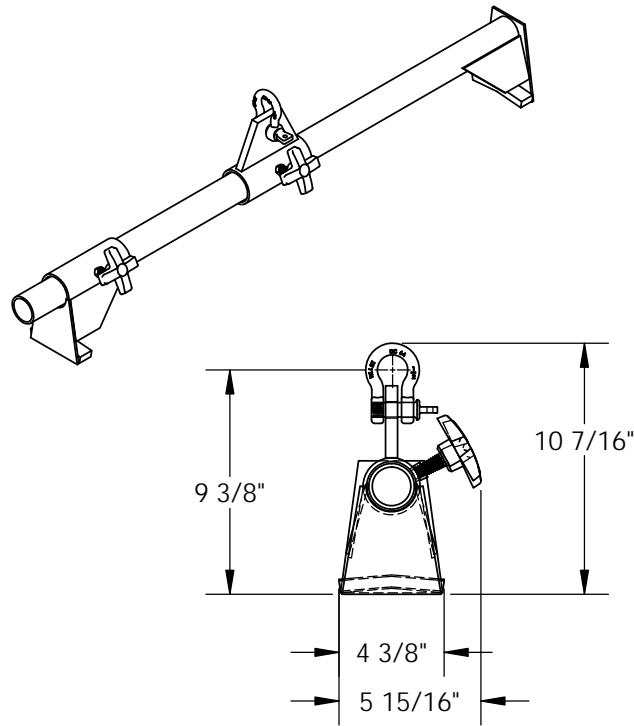


# NEAR VERTICAL DRUM LIFTER - NVD-40

APPROX WEIGHT: 20.68 lbs.  
DOES NOT INCLUDE WEIGHT OF POWER OR PACKAGING!!!

\*\*\* ANY ADDITIONS, DELETIONS, OR OMISSIONS MUST BE CORRECTED ON THIS DRAWING AS THIS DRAWING WILL BE CONSIDERED ALL INCLUSIVE \*\*\*

ALL GRAPHICS PROVIDED ARE FOR REFERENCE ONLY. IF CERTAIN DIMENSIONS ARE CRITICAL PLEASE VERIFY THOSE DIMENSIONS WITH YOUR SALESPERSON



## STANDARD FEATURES

- MODEL NUMBER IS NVD-40
- OVERALL WIDTH IS 5 15/16"
- OVERALL LENGTH IS 43"
- OVERALL HEIGHT IS 10 7/16"
- MAX CAPACITY IS 1,000 LBS
- ACCEPTS DRUM HEIGHTS FROM 16" TO 40"
- TRANSPORTS 55 GALLON CLOSED HEAD STEEL DRUMS
- ADJUSTABLE LIFTING SHACKLE ALLOWS HORIZONTAL LIFT OR NEAR VERTICAL LIFT
- ALL STEEL CONSTRUCTION
- TOUGH BAKED IN POWDER COATED ERGO BLUE FINISH

## SPECIAL FEATURES

NONE

DIMENSION TOLERANCE ± 1/4"

<b>APPROVAL</b>	I, THE UNDERSIGNED, AGREE THAT THE PRODUCT AS REPRESENTED SATISFIES DESIGN AND DIMENSION REQUIREMENTS. I ALSO ACKNOWLEDGE MY DUTY TO CONFIRM PRODUCT AND INSTALLATION COMPLIANCE WITH ALL APPLICABLE FEDERAL, STATE AND LOCAL REGULATIONS AND STANDARDS.	
	<b>ANY MODIFIED UNITS ARE NON-RETURNABLE</b>	
	[ ] As drawn      [ ] As marked	
	Signed: _____ Date: _____	
Printed Name: _____		
<b>LEAD TIME WILL START UPON RECEIPT OF SIGNED APPROVAL DRAWING</b>		

FOR INTERNAL USE ONLY PROJECT SIGN OFF	
SALES	
ENG.	
FAB.	
POWER	

DISTRIBUTOR'S NAME:		P.O.#
VESTIL MANUFACTURING		X
DRAWN BY:	DATE:	W.O.#
SJA	11/18/2016	X
REFERENCE:	SCALE:	SALES:
X	1:8	X
QUOTED LEAD TIME:	QUOTE #	FILE NAME:
X	X	09-007-042