

05/25/01

**INSTRUCTIONS FOR :
OPERATION OF THE MANUAL DRUM LIFTER-ROTATOR-TRANSPORTER**

VESTIL MFG. CO. / T&S EQPT. CO.

*PRODUCTS USED ON:
DRUM-LRT*

The following instructions are to be used for proper operation of the model DRUM-LRT.

READ ALL INSTRUCTIONS BEFORE PROCEEDING!

Only trained and qualified service personnel should work on this equipment!

Lock out all potential energy sources before attempting this installation!

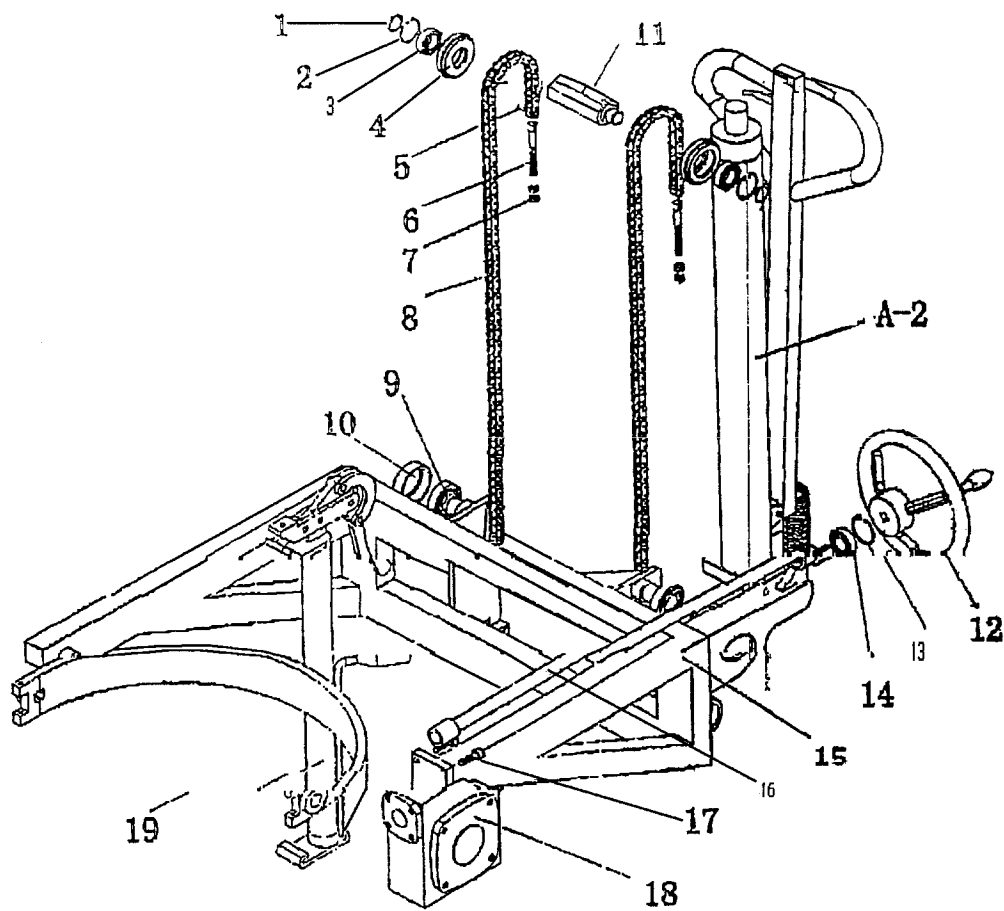
1. The manual DRUM-LRT is to be operated much like a standard pallet jack. The drum carriage is raised by pushing the release lever in the push handle fully forward and then jacking the handle up and down. To lower the drum carriage, pull the lever in the push handle fully back. With the push handle lever in the middle position, the carriage will neither lower nor raise, even when the handle is pumped.
2. To attach a drum to the drum carriage, raise the locking mechanism at the top of the carriage until it is slightly above the height of the drum's top rim. Maneuver the unit up close to the drum. Open the jaw of the locking mechanism, then lower it until the lower part of the jaw is just at the bottom edge of the top rim of the drum. Push the unit up against the drum. If necessary, raise the carriage slightly so that the bottom of the jaw is even with the bottom of the top rim of the drum. Lock the jaw onto the top rim. Pump the push handle to raise the drum several inches off the floor. Lower the carriage foot by pushing down on the formed handle on the back side of the carriage. When the foot is below the bottom of the drum, rotate the foot so it protrudes under the drum, and release the handle. If there is a web belt to secure around the front of the drum, adjust and fasten it before tilting. The drum is ready to be rotated.
3. To rotate the drum, simply crank the hand wheel in the proper direction for the desired rotation of the drum. It is capable of rotating continuously through a 360 degree revolution.
4. To release the drum, rotate it to the vertical position. Push down on the handle attached to the carriage foot and rotate the foot to the side, out from under the drum. Pull the push handle lever back until the drum lowers to the floor. Release the locking handle to disengage the drum and back the lift away.
5. The carriage's locking jaw can be adjusted for varying thicknesses of drum lips by turning the hex head bolt on top of the jaw either in or out for thinner or thicker lips, respectively.

Cautions:

- Be sure the drum's top lip is securely locked in the carriage jaw and the bottom lip is retained by the carriage foot before tipping the drum.

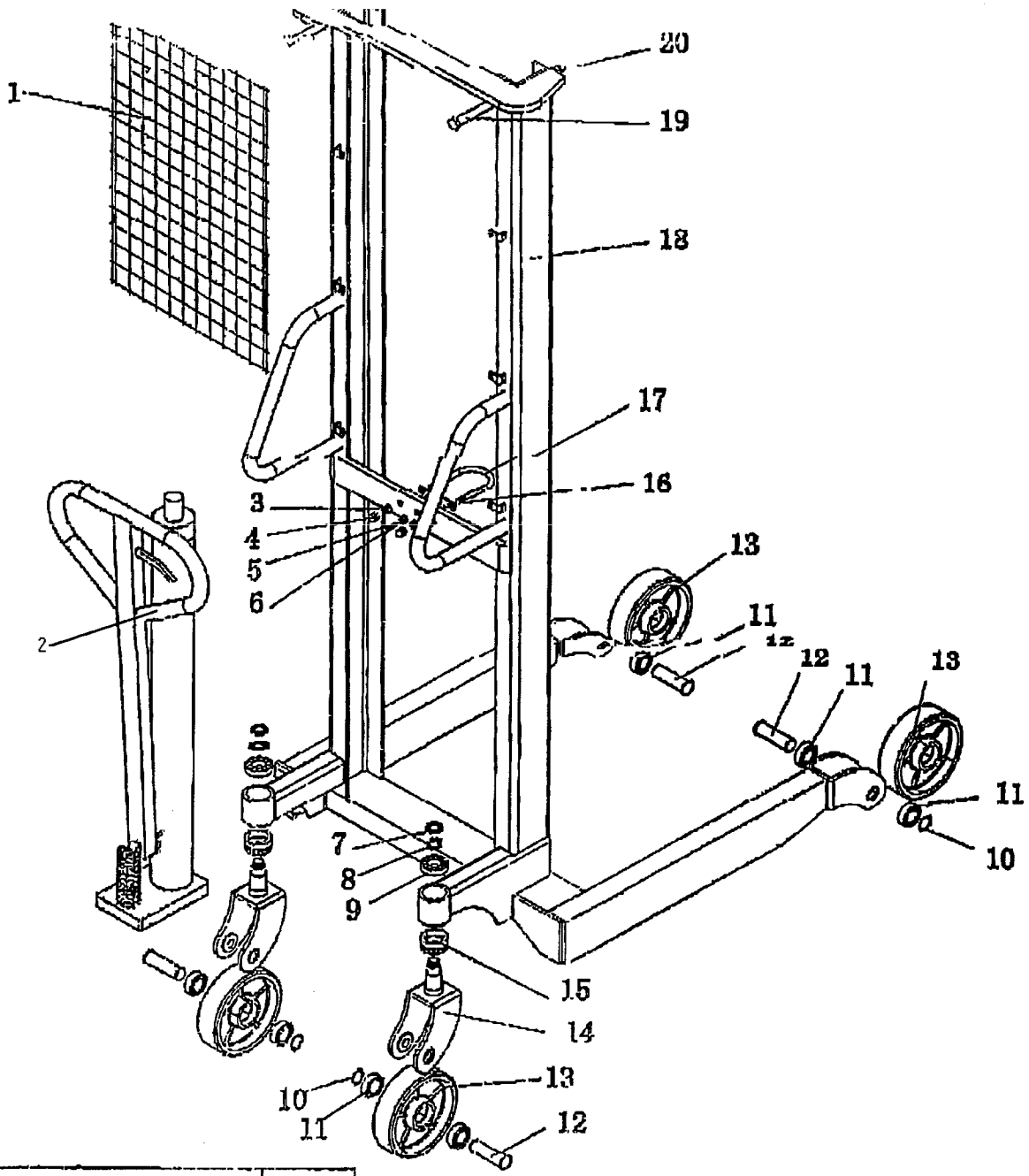
Notes:

- *Check the lift regularly for obstructions, wear, or damage.*



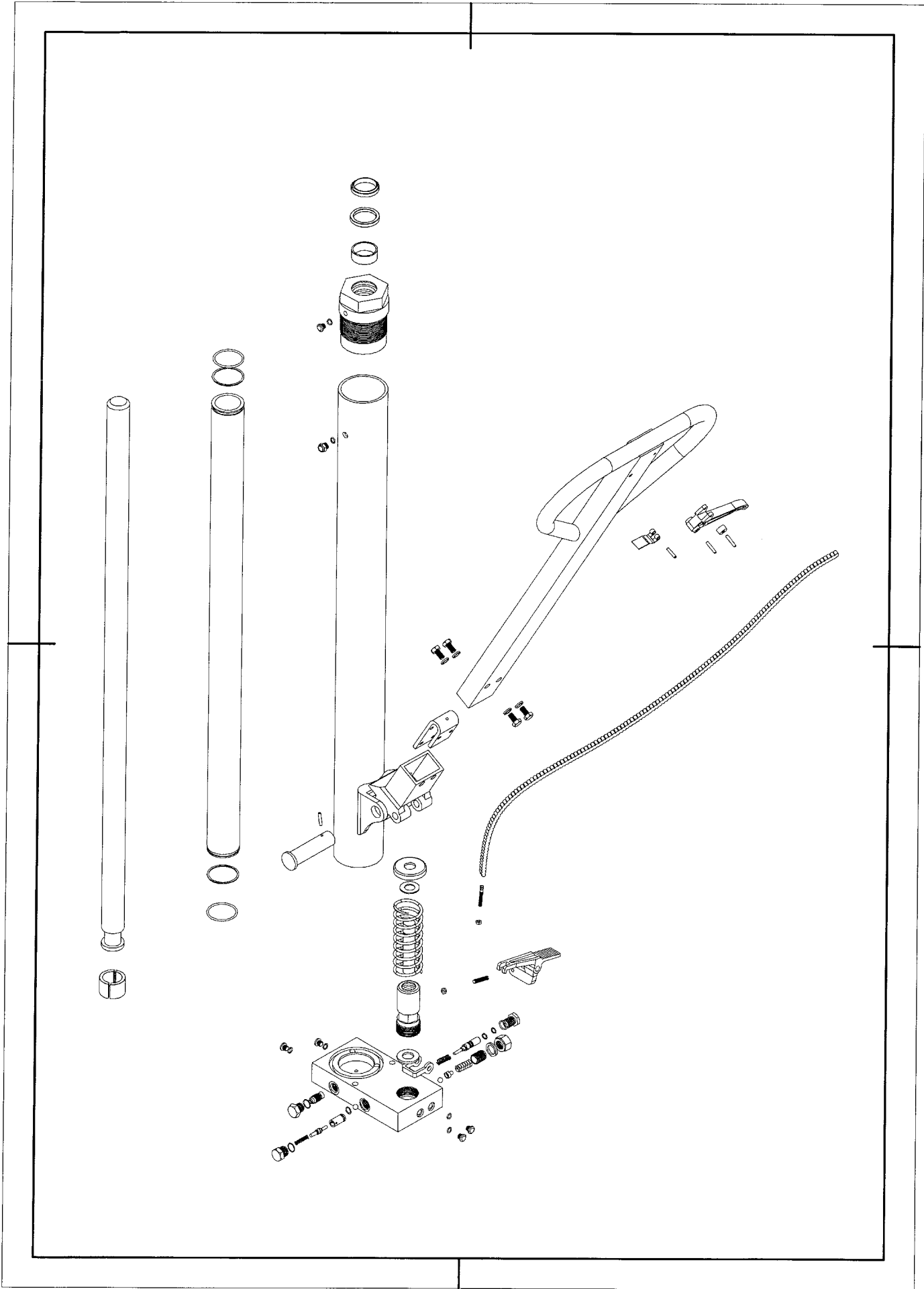
B	Lifting & Rotating Assembly	1
1	Snap Ring	2
2	Snap Ring	2
3	Ball-Bearing	2
4	Roller	2
5	Pin	4
6	Bolt	2
7	Nut	4
8	Chain	2
9	Ball-Bearing	4
10	Roller Sleeve	4
11	Cylinder Seat	1

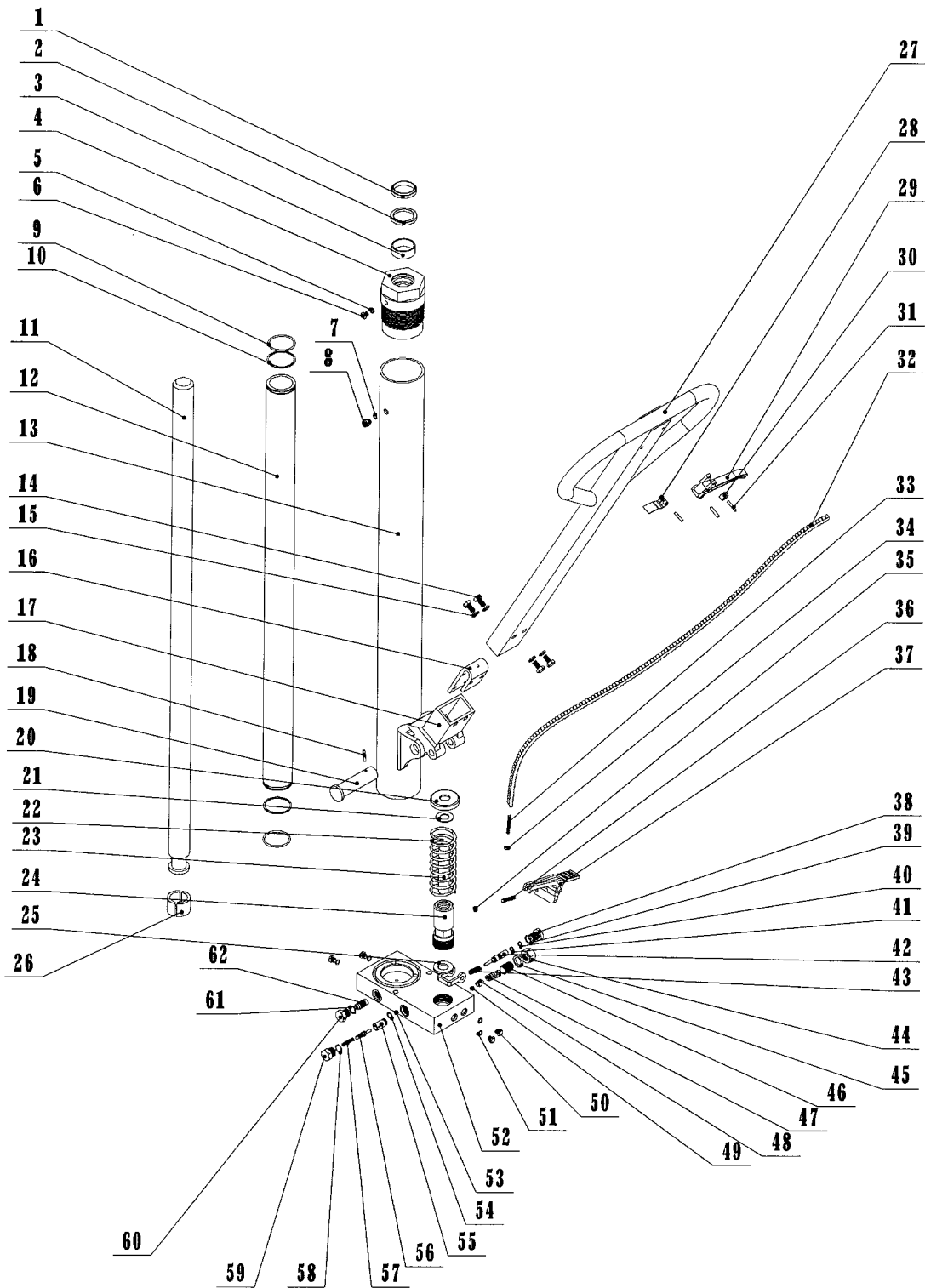
A-2	Cylinder Assembly	1
12	Hand Wheel	1
13	Snap Ring	1
14	Ball-Bearing	1
15	Stock	1
16	Hand Rod	1
17	Bolt	4
18	Control Box	1
19	Grip per Assembly	1



NO.	Description	Q' TY
A	Mast & Frame	1
1	Meshwork	1
2	Cylinder Assembly	1
3	Nut	2
4	Nut	2
5	Nut	1
6	Bolt	1
7	Nut	2
8	Washer	2
9	Ball-Bearing	2
10	Snap Ring	4

NO.	Description	Q' TY
11	Ball-Bearing	8
12	Pin	4
13	PU Wheel	4
14	Wheel Seat	2
15	Bearing	2
16	Small Plate	1
17	Hoop	1
18	Mast Frame	1
19	Bolt	2
20	Nut	2





PARTS LIST OF HYDRAULIC CYLINDER

1		CYLINDER COVER	1
2		O-RING	1
3		O-SEAL	1
4		GUIDE RING	1
5		O-RING	1
6		BOLT TOP	1
7		POSITON ROD	1
8		SNAP RING	1
9		O-RING	1
10		CYLINDER INNER TUBE	1
11		CYLINDER OUTER TUBE	1
12		POSITION KEY	1
13		PIN	1
14		WASHING	1
15		PIN	1
16		RELEASE PEDAL	1
17		BOLT TOP	1
18		O-RING	1
19		BOLT TOP	1
20		O-RING	1
21		RELIEF VALVE	1
22		O-RING	1
23		FLOW CONTROL VALVE	1
24		CHECK VALVE	1
25		VALVE BASE	1
26		O-SEAL WASHING	1
27		SPRING	1
28		O-RING	1
29		BOLT TOP	1
30		O-RING	1
31		BOLT TOP	1
32		PISTON SEAL	1
33		O-RING	1
34		CYLINDER BODY	1
35		PIN	1
36		AXLE	1
37		PIN	1
38		STEEL RING	1
39		PIN	1
40		HANDLE	1
41		STEEL RING BASE	1
42		SCREW	6
43		PIN	1
44		SPRING WASHING	1
45		POSITON ROD	1
46		SPRING BASE	1