



VESTIL MANUFACTURING CORP.

2999 North Wayne Street, P.O. Box 507, Angola, IN 46703

Telephone: (260) 665-7586 -or- Toll Free (800) 348-0868

Fax: (260) 665-1339

www.vestilmfg.com e-mail: sales@vestil.com

INSTRUCTION MANUAL

DKL



Receiving instructions:

After delivery, IMMEDIATELY remove the packaging from the product in a manner that preserves the packaging and maintains the orientation of the product in the packaging; then inspect the product closely to determine whether it sustained damage during transport. **If damage is discovered during the inspection, immediately record a complete description of the damage on the bill of lading.** If the product is undamaged, discard the packaging.

NOTES:

1) Compliance with laws, regulations, codes, and non-voluntary standards enforced in the location where the product is *used* is exclusively the responsibility of the owner/end-user.

2) VESTIL is **not liable** for any injury or property damage that occurs as a consequence of failing to apply either: a) the instructions in this manual; or b) information provided on labels affixed to the product. Neither is Vestil responsible for *any* consequential damages sustained as a result of failing to exercise sound judgment while assembling, installing, using or maintaining this product.

Table of Contents

Hazard identification: explanation of signal words.....	2
Safety Guidelines.....	2
Exploded parts diagrams and bills of materials.....	3-10
Label placement diagram	11
Limited warranty.....	12

HAZARD IDENTIFICATION: explanation of signal words

This manual uses SIGNAL WORDS to indicate the likelihood of personal injuries, as well as the probable seriousness of those injuries, if the product is misused in the ways described. Other signal words call attention to uses of the product likely cause property damage.

The signal words used appear below along with the meaning of each word:



Identifies a hazardous situation which, if not avoided, **WILL** result in **DEATH** or **SERIOUS INJURY**. Use of this signal word is limited to the most extreme situations.



Identifies a hazardous situation which, if not avoided, **COULD** result in **DEATH** or **SERIOUS INJURY**.



Indicates a hazardous situation which, if not avoided, **COULD** result in **MINOR** or **MODERATE** injury.



Identifies practices likely to result in product/property damage, such as operation that might damage the product.

Each person who assembles, installs, uses, or maintains this product should read the entire manual **and fully understand the directions in advance**. **If after reading the manual you do not understand an instruction, ask your supervisor or employer for clarification, because failure to adhere to the directions in this manual might result in serious personal injury.**

SAFETY GUIDELINES

Vestil diligently strives to identify foreseeable hazards associated with the use of its products. However, material handling is inherently dangerous and no manual can address every conceivable risk. The end-user ultimately is responsible for exercising sound judgment at all times.



Electrocution might result if any part of the product contacts electrified wires. Reduce the likelihood of electrocution by applying **common sense**:

- DO NOT *contact* electrified wires with any part of this device, your body, or clothing.
- DO NOT use or store the product where contact with electrified wires is likely.
- Always inspect the usage area before using the product & implement precautions that account for conditions.



If this product is used improperly or carelessly, the operator and/or bystanders might sustain serious personal injuries or even be killed. To reduce the likelihood of injury:

• ***Failure to read and understand the entire manual before assembling, installing, using or servicing the product is a misuse of the product.***

- Read the manual to refresh your understanding of proper use and maintenance procedures.
- DO NOT attempt to resolve any problem(s) with the product unless you are both authorized to do so and *certain* that it will be safe to use afterwards.
- DO NOT modify the product in any way UNLESS you first obtain written approval from Vestil. Unauthorized modifications automatically void the Limited Warranty and might make the product unsafe to use.
- DO NOT exceed the maximum rated load (see Label 287 on product).
- Inspect the product before each use.

A. DO NOT use this product if the inspection reveals structural damage. Examples of structural damage include, but are not limited to, the following: 1) Cracked, broken or significantly deformed load-bearing members; 2) cracked welds; 3) missing or deformed safety chain/strap; 3) corrosion, severe wear, or other condition that affects the ability of the product to support weight or itself. Replace each part that fails to pass an inspection, and DO NOT use the product until it is **fully** restored to normal condition.

B. DO NOT use the product if any unusual noise or movement is observed. If a malfunction occurs, remove the unit from service and notify your supervisor & maintenance personnel about the issue.

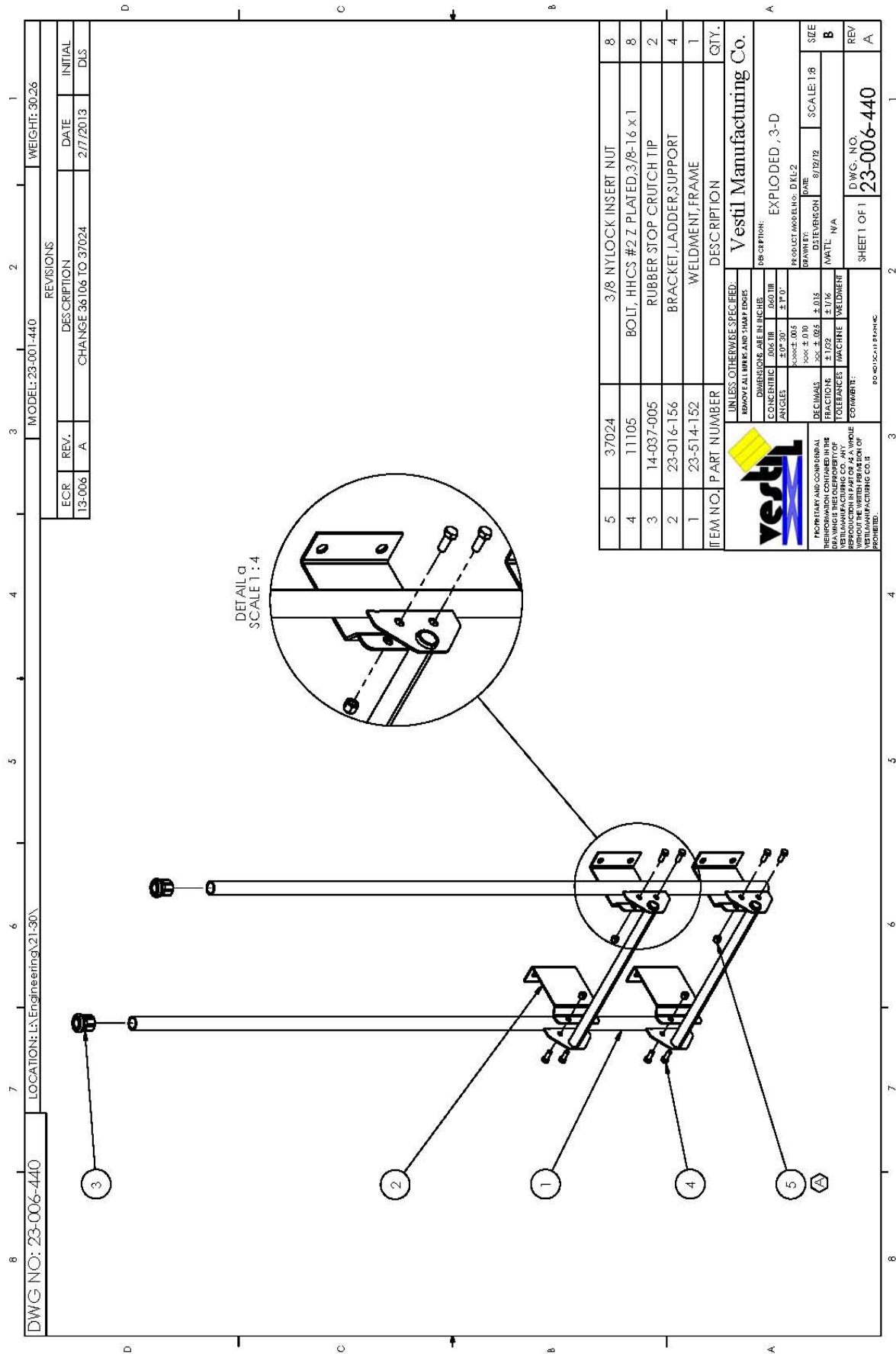
- DO NOT use this device UNLESS all product labels (see "Label Placement Diagram") are readable and undamaged.



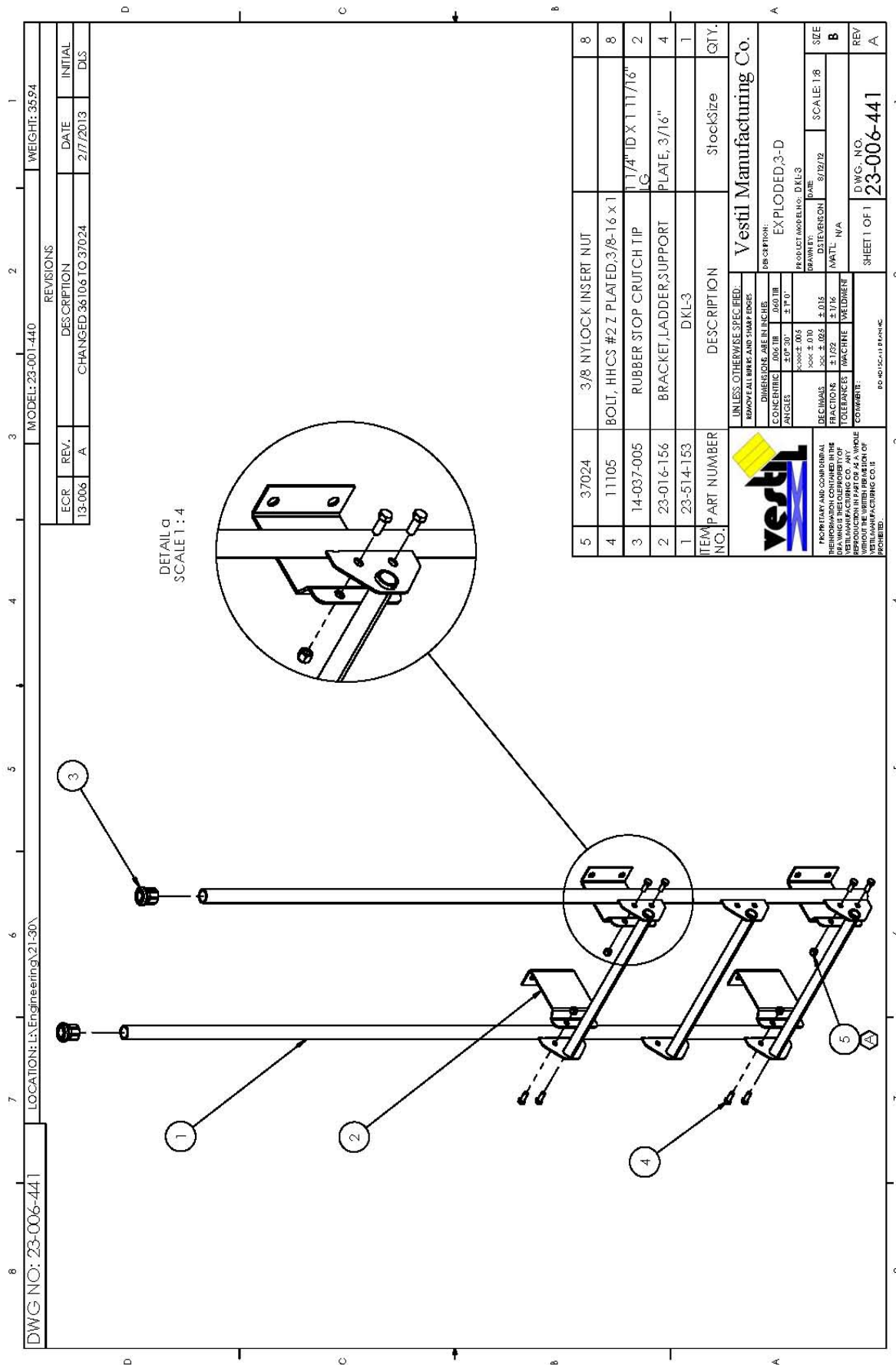
Proper use, maintenance, and storage are essential for this product to function properly.

- Always use this product in accordance with the instructions in this manual and consistent with any training relevant to machines, devices, etc. used in conjunction with this product.
- Keep the product clean & dry. Lubricate moving parts.
- FOR HYDRAULIC UNITS: Do not use brake fluid or jack oils in the hydraulic system. If oil is needed, use an anti-wear hydraulic oil with a viscosity grade of 150 SUS at 100°F, (ISO 32 cSt @ 40°C), or Dexron transmission fluid.
- Contact the manufacturer for MSDS information

Exploded Parts Diagram and Bill of Materials



Exploded Parts Diagram and Bill of Materials

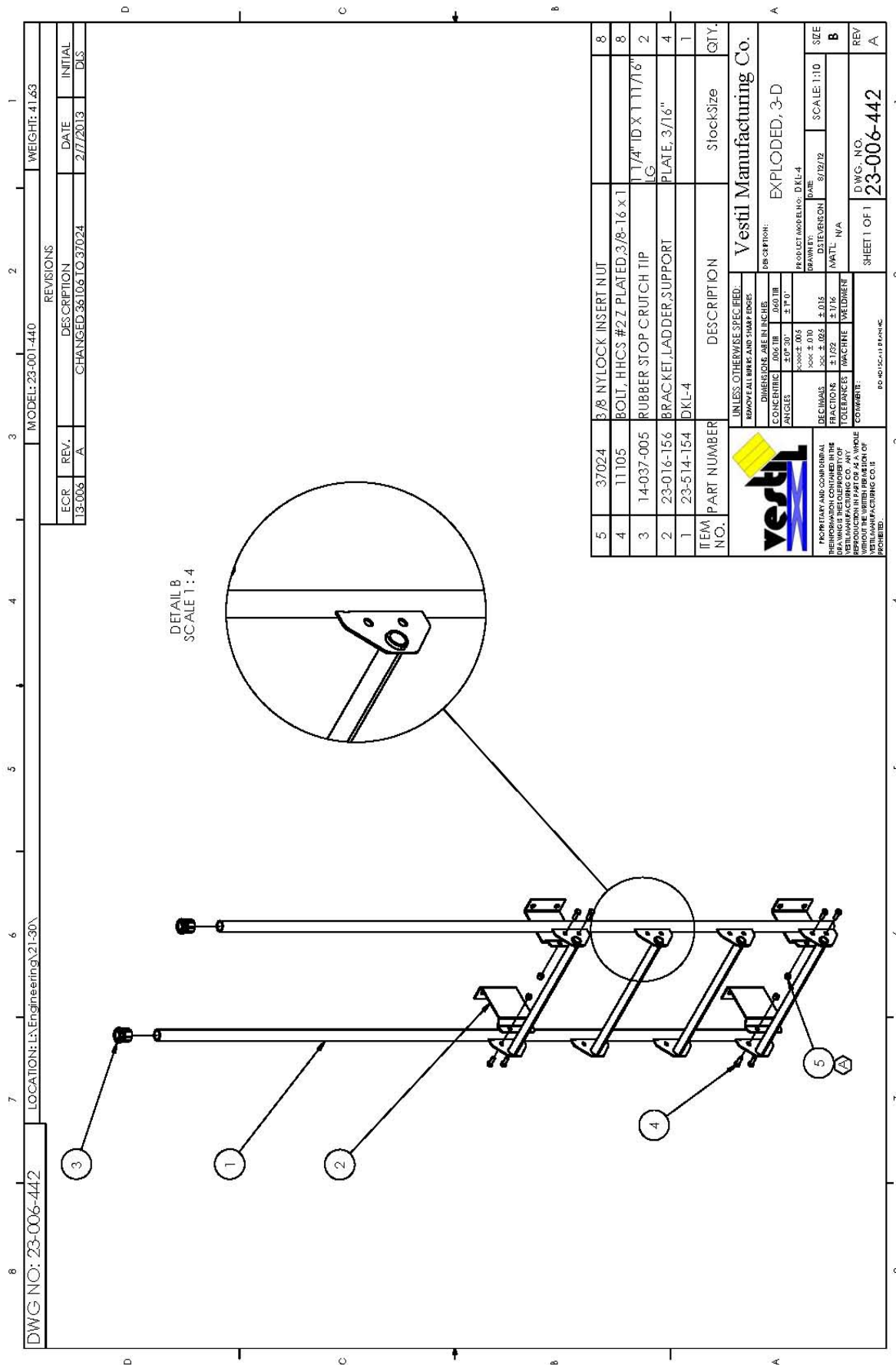


ITEM NO.	PART NUMBER	DESCRIPTION	Stock	Size	QTY.
5	37024	3/8 NYLOCK INSERT NUT			8
4	11105	BOLT, HHCS #2 Z PLATED, 3/8-16 x 1			8
3	14-037-005	RUBBER STOP CRUTCH TIP LG		1 1/4" ID X 1 1/16"	2
2	23-016-156	BRACKET, LADDER, SUPPORT PLATE, 3/16"			4
1	23-514-153	DKL-3			1

UNLESS OTHERWISE SPECIFIED: REMOVE ALL BURRS AND SHARP EDGES DIMENSIONS ARE IN INCHES CONCENTRICITY: 0.0018 INCHES ANGLES: 0.0018 INCHES DECIMALS: ± 0.10 FRACTIONS: ± 1/32 TOLERANCES: (MACHINE WELDMENT) EDWARDS:	
DESCRIPTION: EXPLODED, 3-D DRAWN BY: DATE: 8/12/12 PRODUCT AND BLENDED: DKL-3 DISTENSION: SCALE: 1:8 MATL: N/A DWG. NO. 23-006-441 SHEET 1 OF 1	

FACTORY AND COMBIBAL
 INFORMATION CONTAINED IN THIS
 DOCUMENT IS THE PROPERTY OF
 VESTIL MANUFACTURING CO. ANY
 REPRODUCTION IN PART OR AS A WHOLE
 WITHOUT THE WRITTEN PERMISSION OF
 VESTIL MANUFACTURING CO. IS
 PROHIBITED.

Exploded Parts Diagram and Bill of Materials



MODEL: 23-001-440		WEIGHT: 41.63	
REVISIONS			
ECR	REV.	DESCRIPTION	DATE
13-006	A	CHANGED 38106 TO 37024	2/7/2013
			INITIAL
			DJS

ITEM NO.	PART NUMBER	DESCRIPTION	StockSize	QTY.
5	37024	3/8 NYLOCK INSERT NUT		8
4	11105	BOLT, HHCS #2Z PLATED, 3/8-16 x 1		8
3	14-037-005	RUBBER STOP CRUTCH TIP LG.	1 1/4" ID X 1 1/16"	2
2	23-016-156	BRACKET, LADDER, SUPPORT	PLATE, 3/16"	4
1	23-514-154	DKL-4		1

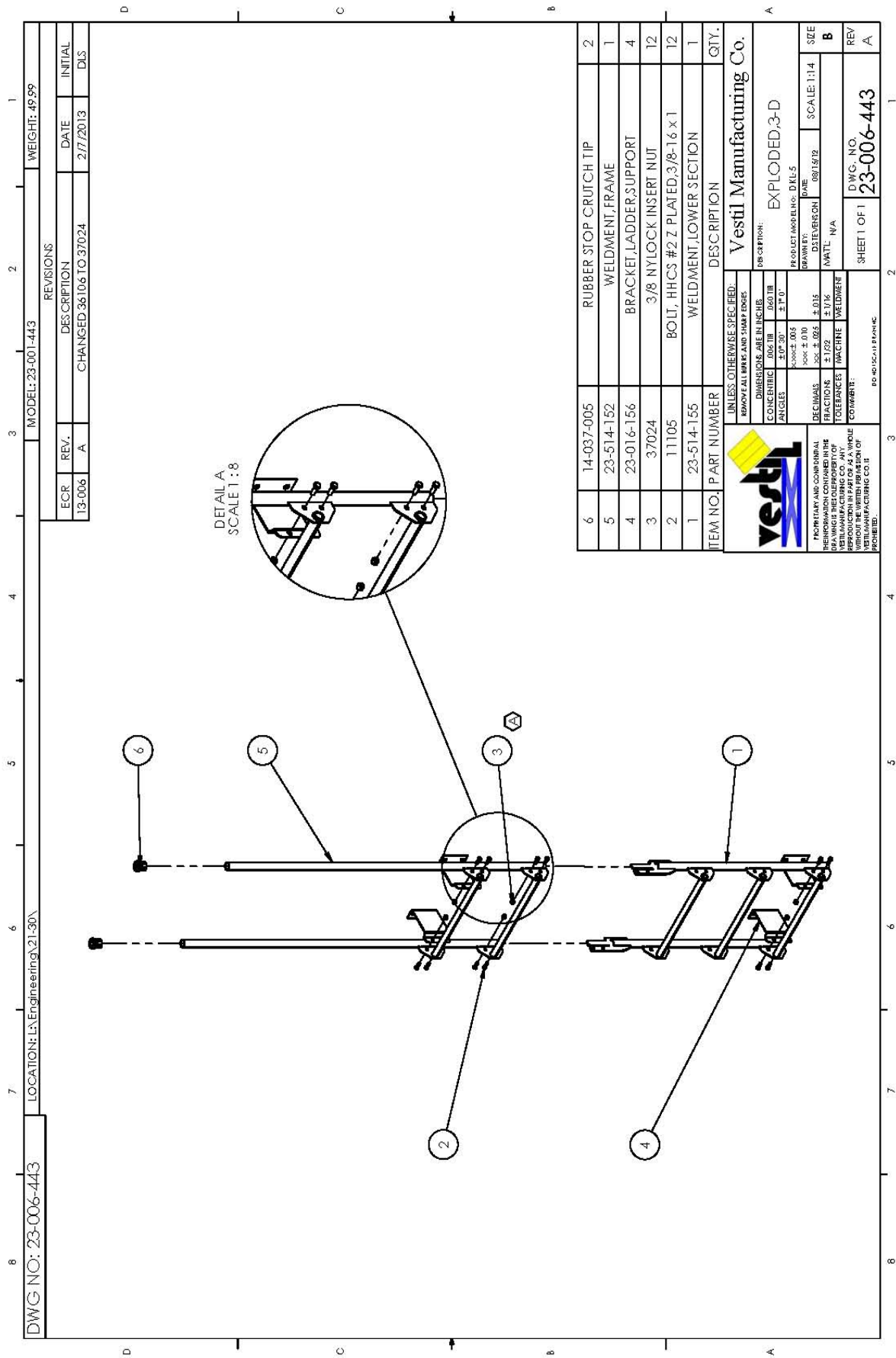
Vestil Manufacturing Co.

DESCRIPTION: EXPLODED, 3-D

PROJECT AND BLENDED: DKL-4	DATE: 8/12/12	SCALE: 1:10	SIZE: B
DRAWN BY: NVA	DISTENSION: NVA		
MATERIAL: WELDMENT		SHEET 1 OF 1	
DWG. NO. 23-006-442		REV. A	

UNLESS OTHERWISE SPECIFIED:
 REMOVE ALL BURRS AND SHARP EDGES
 DIMENSIONS ARE IN INCHES
 DIMENSIONS ARE IN MILLIMETERS
 CONCENTRICITY: 0.001 IN / 0.025 MM
 ANGLES: ± 1° 0'
 DECIMALS: ± 0.10
 FRACTIONS: ± 1/32
 TOLERANCES: ± 0.005
 FINISHES: WELDMENT
 REPRODUCTION IN PART OR AS A WHOLE WITHOUT THE WRITTEN PERMISSION OF VESTIL MANUFACTURING CO. IS PROHIBITED.

Exploded Parts Diagram and Bill of Materials



DWG NO: 23-006-443		MODEL: 23-001-443		WEIGHT: 49.99	
REVISIONS					
ECR	REV.	DESCRIPTION	DATE	INITIAL	
13-006	A	CHANGED 36106 TO 37024	2/7/2013	DLS	

ITEM NO.	PART NUMBER	DESCRIPTION	QTY.
6	14-037-005	RUBBER STOP CRUTCH TIP	2
5	23-514-152	WELDMENT, FRAME	1
4	23-016-156	BRACKET, LADDER SUPPORT	4
3	37024	3/8 NYLOCK INSERT NUT	12
2	11105	BOLT, HHCS #2 Z PLATED, 3/8-1.6 x 1	12
1	23-514-155	WELDMENT, LOWER SECTION	1

UNLESS OTHERWISE SPECIFIED:
 REMOVE ALL BURRS AND SHARP EDGES
 DIMENSIONS ARE IN INCHES
 CONCENTRIC: 0.005
 ANGLES: ± 1° 0'

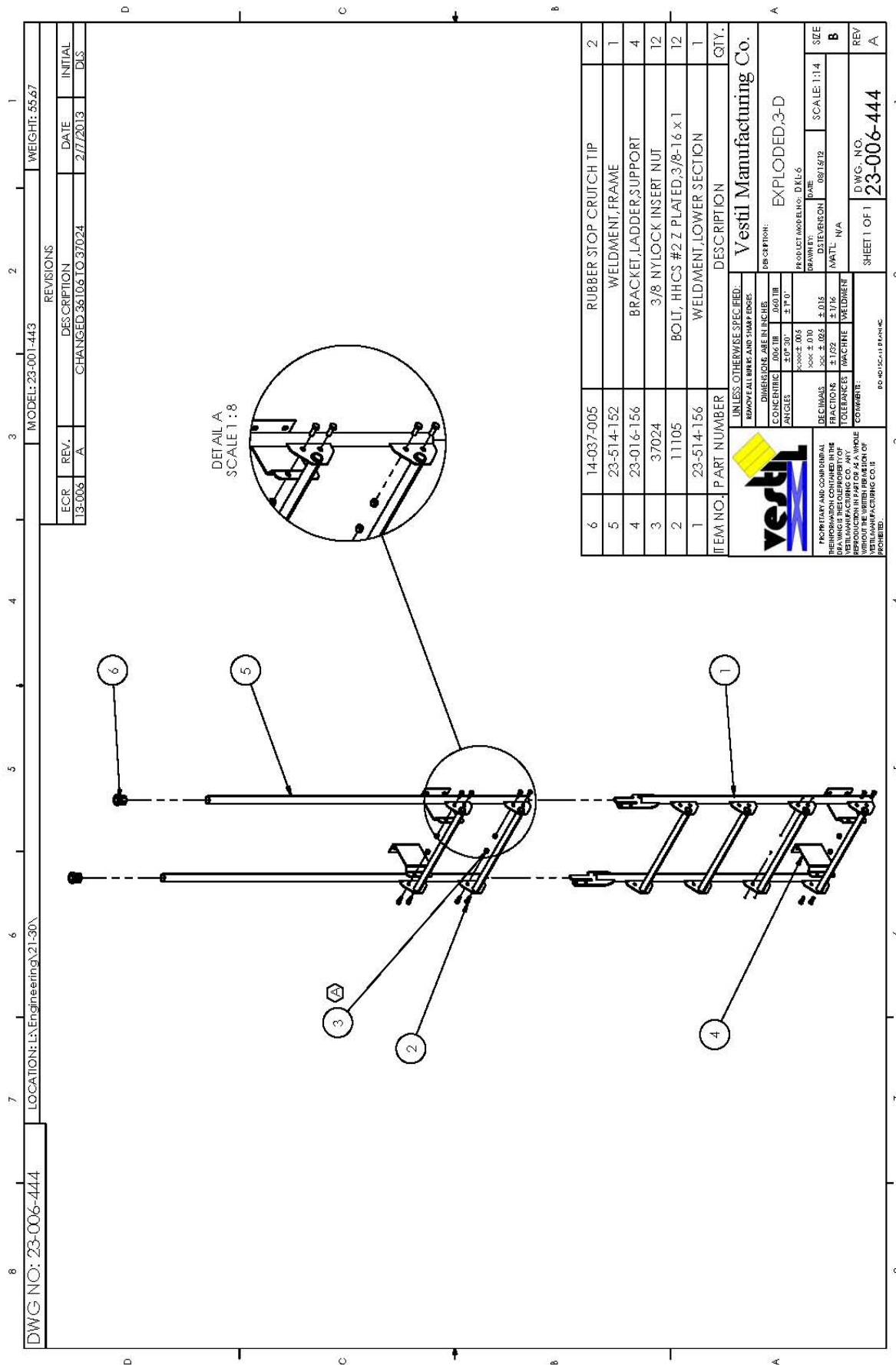
DESCRIPTION: EXPLODED, 3-D
PRODUCT AND BLENDED: DKL5
DATE: 08/15/12
DRAWN BY: NVA
DISTENSION: 08/15/12
SCALE: 1:1.4

FACTORY AND COMMERICAL INFORMATION CONTAINED IN THIS DRAWING IS THE PROPERTY OF VESTIL MANUFACTURING CO. ANY REPRODUCTION IN PART OR AS A WHOLE WITHOUT THE WRITTEN PERMISSION OF VESTIL MANUFACTURING CO. IS PROHIBITED.

PG. NO. 05418 PLANING

SHEET 1 OF 1	DWG. NO. 23-006-443	REV. A
--------------	---------------------	--------

Exploded Parts Diagram and Bill of Materials



ITEM NO.	PART NUMBER	DESCRIPTION	QTY.
6	14-037-005	RUBBER STOP CRUTCH TIP	2
5	23-514-152	WELDMENT, FRAME	1
4	23-016-156	BRACKET, LADDER SUPPORT	4
3	37024	3/8 NYLOCK INSERT NUT	12
2	11105	BOLT, HHCS #2 Z PLATED, 3/8-16 x 1	12
1	23-514-156	WELDMENT, LOWER SECTION	1

Vestil Manufacturing Co.

DESCRIPTION: EXPLODED, 3-D

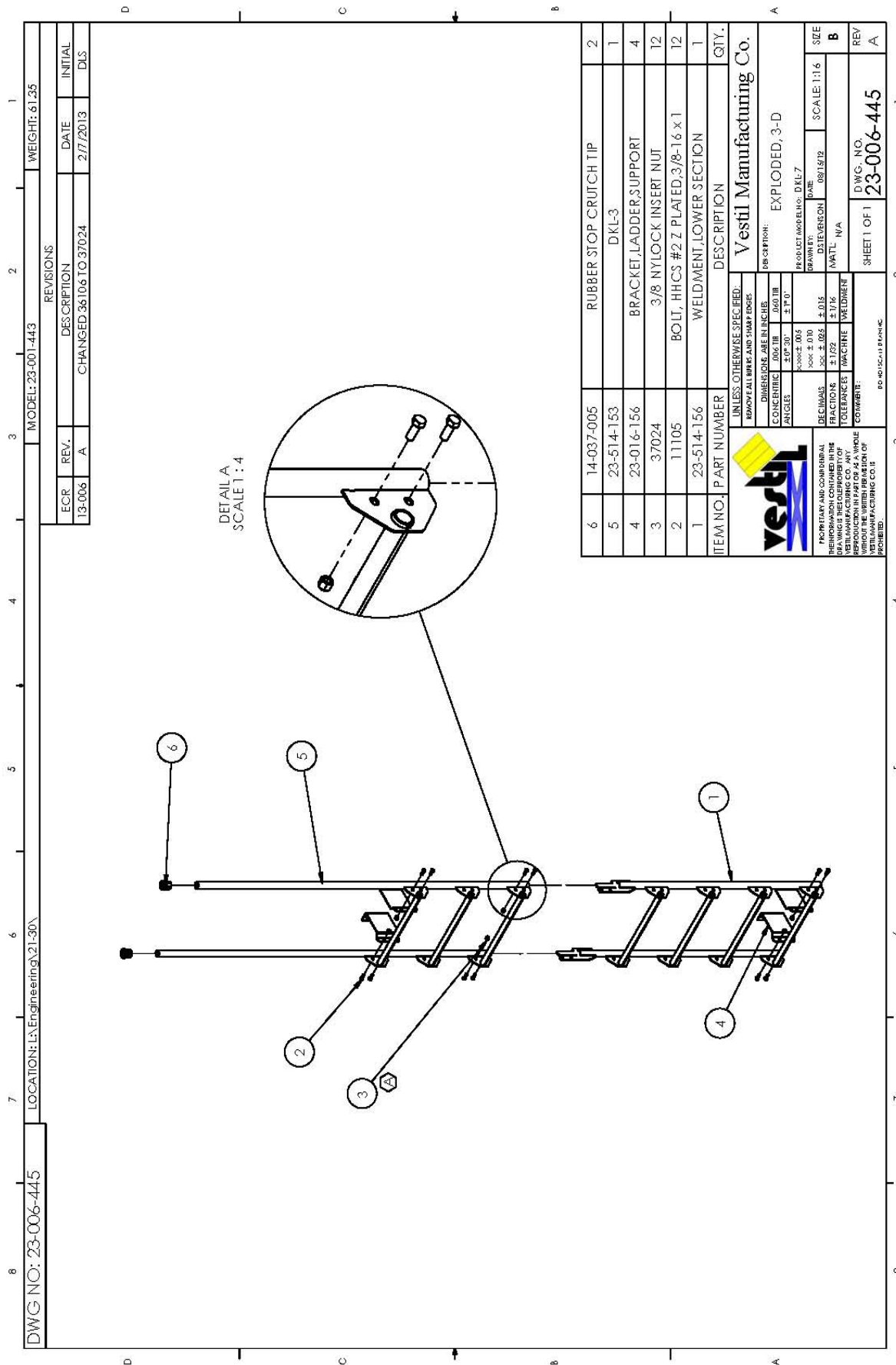
UNLESS OTHERWISE SPECIFIED:
 REMOVE ALL BURRS AND SHARP EDGES
 DIMENSIONS ARE IN INCHES
 COORDINATE TOLERANCES
 ANGLES

FRAMES	± 0.10
ROCKERS	± 0.05
WELDS	± 0.15
FRACTIONS	± 1/32
TOLERANCES	± 0.04
WELDRERT	± 0.04

FACTORY AND COMMERCIAL REPRODUCTION CONTAINED IN THIS DRAWING IS STRICTLY PROHIBITED. REPRODUCTION IN PART OR AS A WHOLE WITHOUT THE WRITTEN PERMISSION OF VESTIL MANUFACTURING CO. IS PROHIBITED.

DWG. NO. 23-006-444
SHEET 1 OF 1

Exploded Parts Diagram and Bill of Materials



MODEL: 23-001-443		WEIGHT: 61.35	
REVISIONS			
ECR	REV.	DESCRIPTION	DATE
13-006	A	CHANGED 36106 TO 37024	2/7/2013
			INITIAL
			DLS

DWG NO: 23-006-445		LOCATION: L:\Engineering\21-30\	
UNLESS OTHERWISE SPECIFIED:			
REMOVE ALL BURRS AND SHARP EDGES			
DIMENSIONS ARE IN INCHES			
CONCENTRIC	RADIUS	Ø DIA	± .010
ANGLES	± .005	± .010	± .010
DECIMALS	± .010	± .015	± .015
FRACTIONS	± .005	± .015	± .015
TOLERANCES	± .002	± .015	± .015
FINISHES: W/ACHINE W/ACHINE W/ACHINE			
REPRODUCTION IN PART OR AS A WHOLE WITHOUT THE WRITTEN PERMISSION OF VESTIL MANUFACTURING CO. IS PROHIBITED.			
Vestil Manufacturing Co.		EXPLODED, 3-D	
SCALE: 1:1.6		DATE: 08/15/12	
DWG. NO. 23-006-445		SHEET 1 OF 1	

Exploded Parts Diagram and Bill of Materials

DWG NO: 23-006-446

LOCATION: L:\Engineering\21-30\

MODEL: 23-001-443

REVISIONS		WEIGHT: 67.04
ECR	DESCRIPTION	DATE
13-006 A	CHANGED 36106 TO 37024	2/7/2013
		INITIAL
		DJS

1

2

3

4

6	14-037-005	RUBBER STOP CRUTCH TIP	2
5	23-514-154	DKL-4	1
4	23-016-156	BRACKET, LADDER SUPPORT	4
3	37024	3/8 NYLOCK INSERT NUT	12
2	11105	BOLT, HHCS #2 Z PLATED, 3/8-16 x 1	12
1	23-514-156	WELDMENT, LOWER SECTION	1

5

6

ITEM NO.	PART NUMBER	DESCRIPTION	QTY.
Vestil Manufacturing Co.			
DESCRIPTION: EXPLODED, 3-D			
UNLESS OTHERWISE SPECIFIED:			
REMOVE ALL BIRKS AND SHARP EDGES			
DIMENSIONS ARE IN INCHES			
CONCENTRIC		RADIUS	
ANGLES		± 1° 0'	
HOLE ± .005		DATE	
HOLE ± 0.10		DRAWN BY: 08/15/12	
FRACTIONS ± .015		DISTENSION	
TOLERANCES ± 1/16		SCALE: 1:16	
TOLERANCES ± .005		MATERIAL	
TOLERANCES ± .002		WELDMENT	
REPRODUCTION IN PART OR AS A WHOLE WITHOUT THE WRITTEN PERMISSION OF VESTIL MANUFACTURING CO. IS PROHIBITED.			
DWG. NO.		REV	
23-006-446		A	

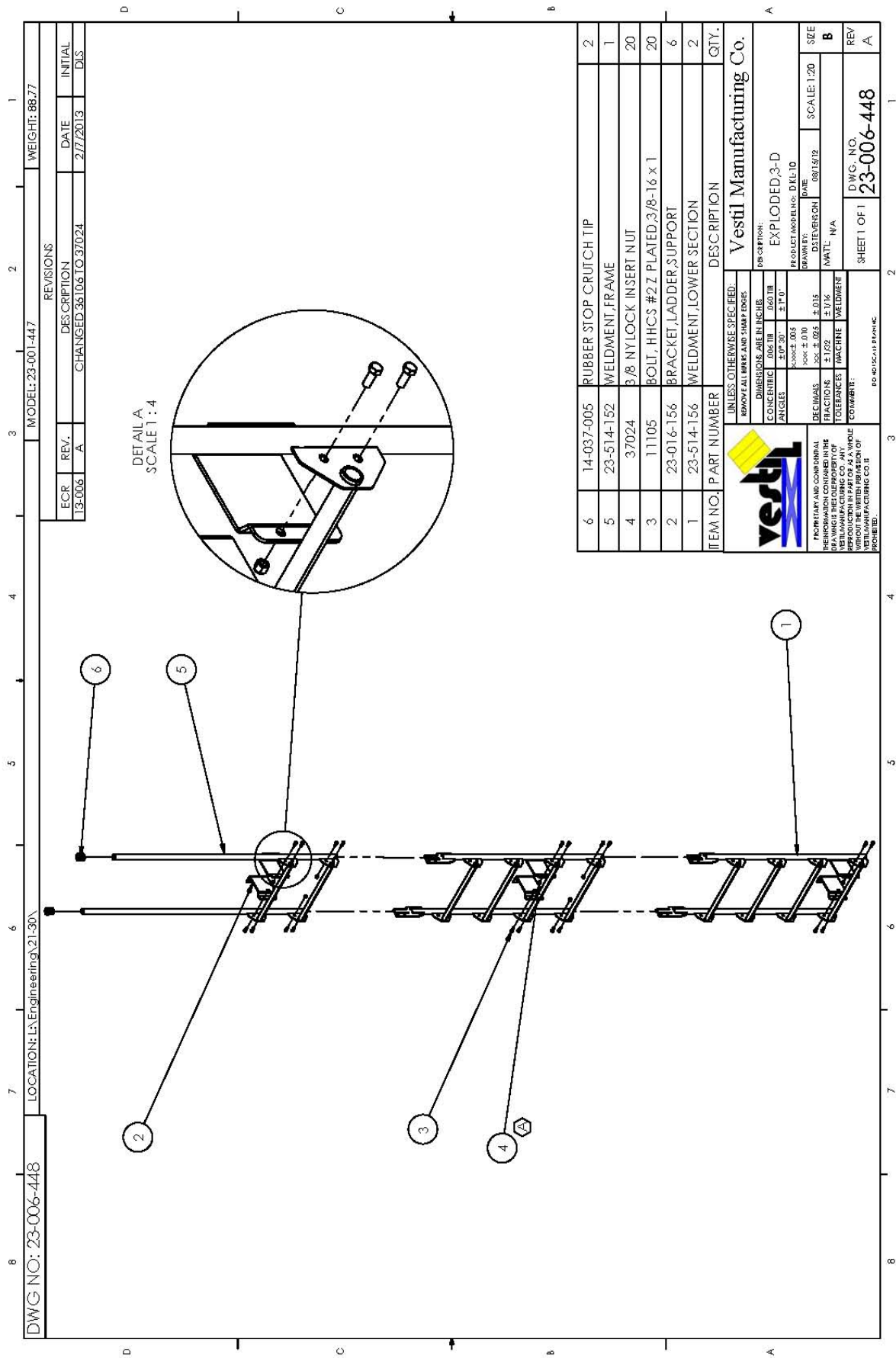
7

8

8

1

Exploded Parts Diagram and Bill of Materials



MODEL: 23-001-447		WEIGHT: 88.77
REVISIONS		
ECR	DESCRIPTION	DATE
13-006	A	2/7/2013
REV.	CHANGED 38106 TO 37024	INITIAL
		DJS

ITEM NO.	PART NUMBER	DESCRIPTION	QTY.
6	14-037-005	RUBBER STOP CRUTCH TIP	2
5	23-514-152	WELDMENT, FRAME	1
4	37024	3/8 NYLOCK INSERT NUT	20
3	11105	BOLT, HHCS #2 Z PLATED, 3/8-16 x 1	20
2	23-016-156	BRACKET, LADDER, SUPPORT	6
1	23-514-156	WELDMENT, LOWER SECTION	2

UNLESS OTHERWISE SPECIFIED: REMOVE ALL BURRS AND SHARP EDGES	
DIMENSIONS ARE IN INCHES	DESCRIPTION
CONCENTRIC	EXPLODED, 3-D
SUP. 30°	PROJECT AND BEND: DKL10
ANGLES	DRAWN BY: DATE
±.004 ±.005	08/15/12
±.010	DISTORTION
±.015	MATL
±.016	WELDMENT
±.022	TOLERANCES
±.016	FINISH
±.016	REVISIONS
±.016	DATE
±.016	SCALE: 1:20
±.016	SIZE
±.016	REV
±.016	A

Vestil Manufacturing Co.

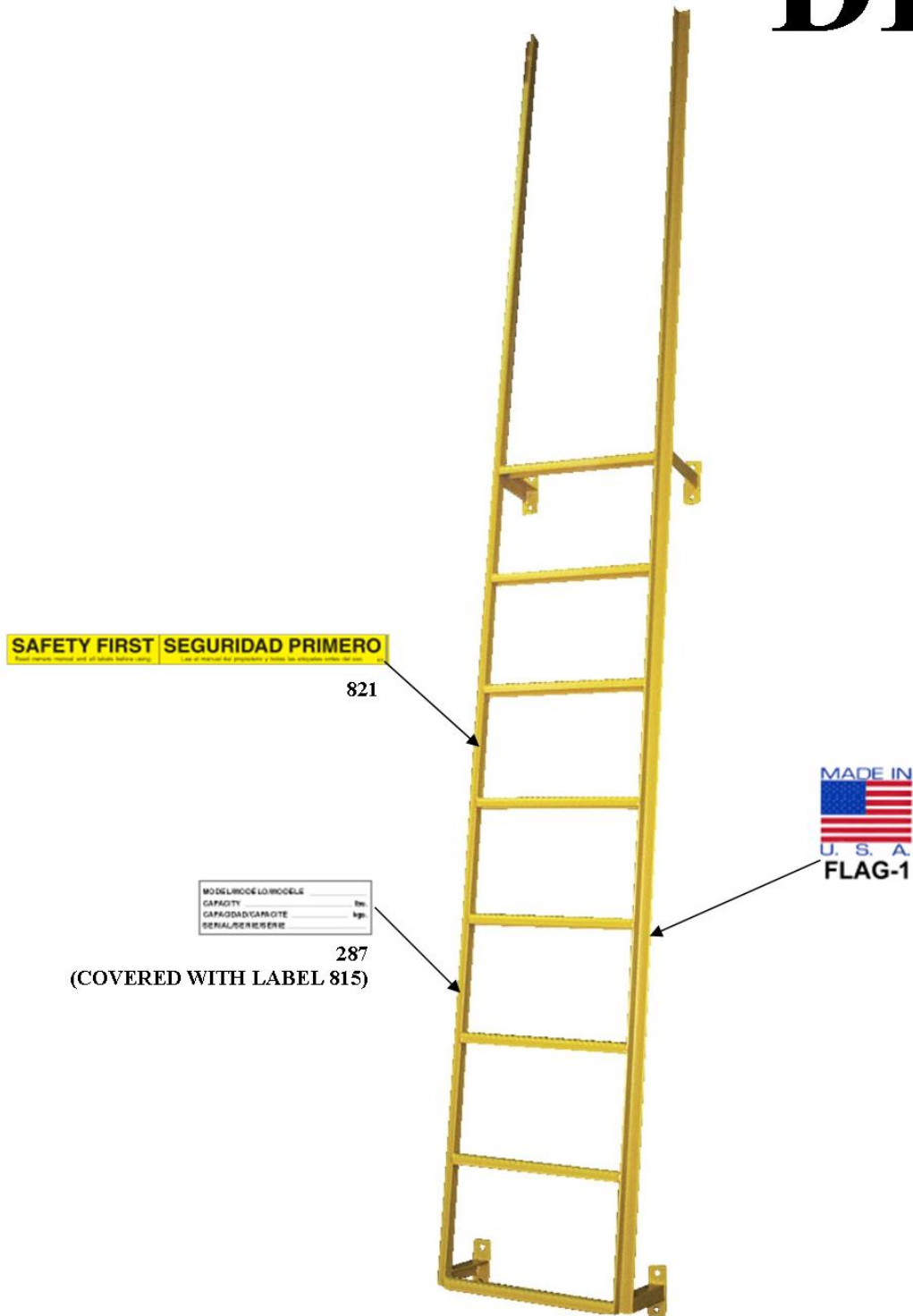
FACTORY AND COMMERCIAL
REPRODUCTION CONTAINED IN THE
VESTIL MANUFACTURING CO. ANY
REPRODUCTION IN PART OR AS A WHOLE
WITHOUT THE WRITTEN PERMISSION OF
VESTIL MANUFACTURING CO. IS
PROHIBITED.

DWG NO: 23-006-448

LOCATION: L:\Engineering\21-30\

Label Placement Diagram

DKL



LIMITED WARRANTY

Vestil Manufacturing Corporation (“Vestil”) warrants this product to be free of defects in material and workmanship during the warranty period. *Our warranty obligation is to provide a replacement for a defective original part if the part is covered by the warranty, after we receive a proper request from the warrantee (you) for warranty service.*

Who may request service?

Only a warrantee may request service. *You are a warrantee if* you purchased the product from Vestil or from an authorized distributor AND Vestil has been fully paid.

What is an “original part”?

An original part is a part used to make the product as shipped to the warrantee.

What is a “proper request”?

A request for warranty service is proper if Vestil receives: 1) a photocopy of the Customer Invoice that displays the shipping date; AND 2) a written request for warranty service including your name and phone number. Send requests by any of the following methods:

Mail
Vestil Manufacturing Corporation
2999 North Wayne Street, PO Box 507
Angola, IN 46703

Fax
(260) 665-1339
Phone
(260) 665-7586

Email
sales@vestil.com

In the written request, list the parts believed to be defective and include the address where replacements should be delivered.

What is covered under the warranty?

After Vestil receives your request for warranty service, an authorized representative will contact you to determine whether your claim is covered by the warranty. Before providing warranty service, Vestil may require you to send the entire product, or just the defective part or parts, to its facility in Angola, IN. The warranty covers defects in the following *original* dynamic components: motors, hydraulic pumps, electronic controllers, switches and cylinders. It also covers defects in *original* parts that wear under normal usage conditions (“wearing parts”): bearings, hoses, wheels, seals, brushes, batteries, and the battery charger.

How long is the warranty period?

The warranty period for original components is 90 days. The warranty period begins on the date when Vestil ships the product to the warrantee. If the product was purchased from an authorized distributor, the period begins when the distributor ships the product. Vestil may extend the warranty period for products shipped from authorized distributors by *up to* 30 days to account for shipping time.

If a defective part is covered by the warranty, what will Vestil do to correct the problem?

Vestil will provide an appropriate replacement for any *covered* part. An authorized representative of Vestil will contact you to discuss your claim.

What is not covered by the warranty?

1. Labor;
2. Freight;
3. Occurrence of any of the following, which automatically voids the warranty:
 - Product misuse;
 - Negligent operation or repair;
 - Corrosion or use in corrosive environments;
 - Inadequate or improper maintenance;
 - Damage sustained during shipping;
 - Collisions or other incidental contacts causing damage to the product;
 - Unauthorized modifications: DO NOT modify the product IN ANY WAY without first receiving written authorization from Vestil. Modification(s) might make the product unsafe to use or might cause excessive and/or abnormal wear.

Do any other warranties apply to the product?

Vestil Manufacturing Corp. makes no other express warranties. All implied warranties are disclaimed to the extent allowed by law. Any implied warranty not disclaimed is limited in scope to the terms of this Limited Warranty.

