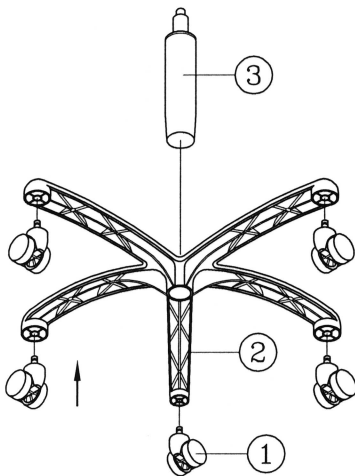


Remove all items from the carton . Verify all pieces before assembly.

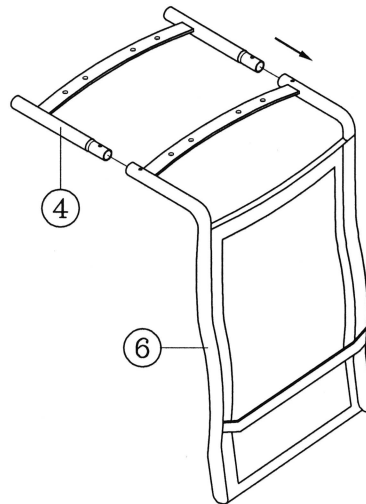
PART LIST

KEY	QTY	DESCRIPTION	KEY	QTY	DESCRIPTION	KEY	QTY	DESCRIPTION
1	5	Caster	6	1	Backrest	11	4	Arm Screw (8*40mm)
2	1	Base	7	4	Seat Screw (8*25mm)	12	2	Armrest
3	1	Seat Post	8	1	Seat	13	1	M5 Size Allen Wrench
4	1	Seat Frame	9	1	Mechanism	14	1	M6 Size Allen Wrench
5	2	Frame Screw (4*13mm)	10	4	Mechanism Screw(8*25mm)			

STEP 1.

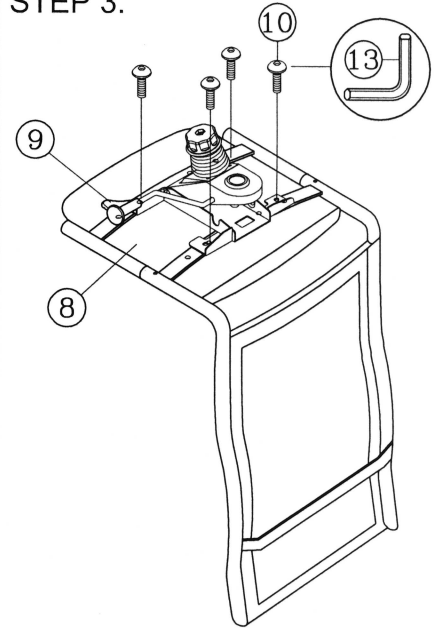


STEP 2.

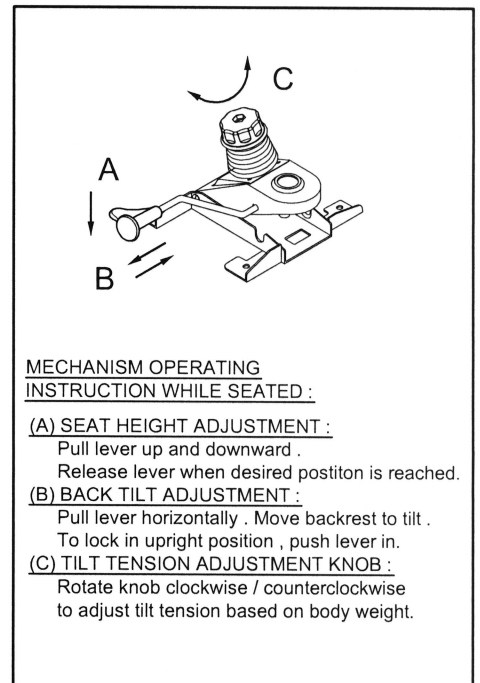
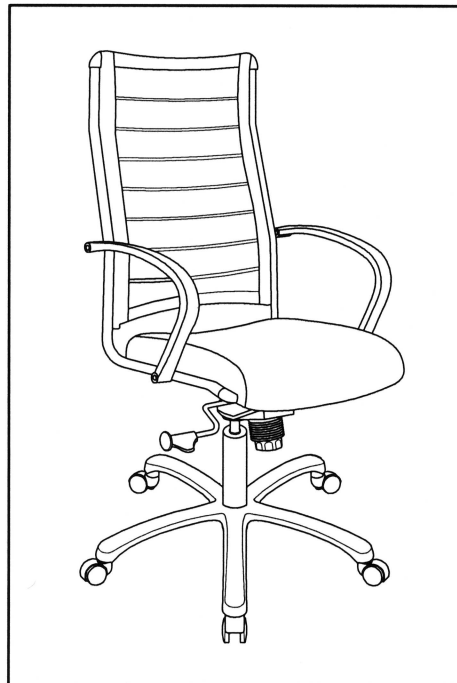
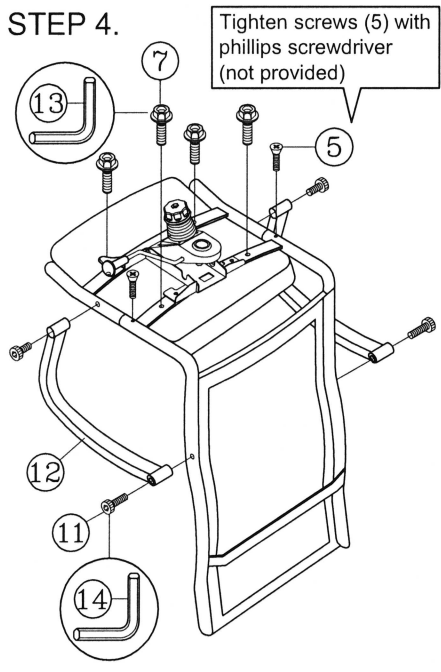


NOTE : Assemble frame (4) to backrest (6) and position over seat (8). Before connecting with screws (5) and (7), attach mechanism (9) with screws(10).

STEP 3.



STEP 4.



MECHANISM OPERATING INSTRUCTION WHILE SEATED :

(A) SEAT HEIGHT ADJUSTMENT :

Pull lever up and downward .
Release lever when desired position is reached.

(B) BACK TILT ADJUSTMENT :

Pull lever horizontally . Move backrest to tilt .
To lock in upright position , push lever in .

(C) TILT TENSION ADJUSTMENT KNOB :

Rotate knob clockwise / counterclockwise
to adjust tilt tension based on body weight.

PREVENTIVE MAINTENANCE AND WARNING!

- USE THIS PRODUCT ONLY FOR SEATING ONE PERSON AT A TIME.
- DO NOT USE THIS CHAIR AS A STEP STOOL / LADDER.
- DO NOT SIT ON ANY PART OF THE CHAIR EXCEPT THE SEAT.
- DO NOT USE CHAIR ON UNEVEN FLOOR SURFACES.
- DO NOT USE CHAIR UNLESS ALL BOLTS, SCREWS AND KNOBS ARE TIGHTENED.
- EVERY SIX MONTHS, PLEASE MAKE SURE ALL BOLTS, SCREWS AND KNOBS ARE FULLY TIGHTENED TO ENSURE STABILITY.
- IF ANY PARTS ARE MISSING, BROKEN, DAMAGED OR WORN, STOP USE OF THE PRODUCT UNTIL REPAIRS ARE MADE USING FACTORY AUTHORIZED PARTS.
- DISPOSE OF PACKAGING PROPERLY. PLASTIC BAG IS NOT A TOY. DO NOT USE PLASTIC BAG AS HEAD COVERING - IT MAY CAUSE SUFFOCATION.
- FAILURE TO FOLLOW THESE WARNINGS COULD RESULT IN SERIOUS INJURY.
- NOTE: SOME SCREWS MAY BE PREASSEMBLED. IF PREASSEMBLED, IGNORE ASSEMBLY INSTRUCTIONS.

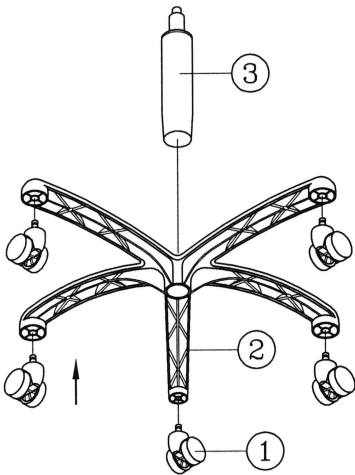
ASSEMBLY INSTRUCTION

Remove all items from the carton . Verify all pieces before assembly.

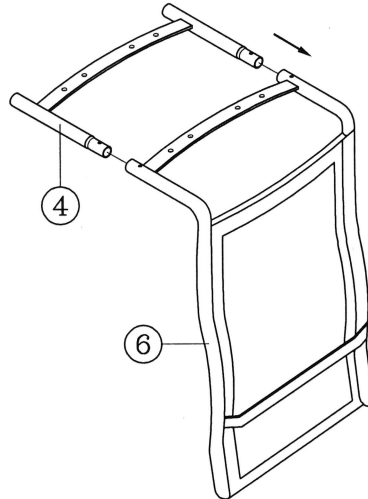
PART LIST

KEY QTY	DESCRIPTION	KEY QTY	DESCRIPTION	KEY QTY	DESCRIPTION	
1	5	Caster	6	1	Backrest	
2	1	Base	7	4	Seat Screw (8*25mm)	
3	1	Seat Post	8	1	Seat	
4	1	Seat Frame	9	1	Mechanism	
5	2	Frame Screw (4*13mm)	10	4	Mechanism Screw(8*25mm)	
				11	4	Arm Screw (8*40mm)
				12	2	Armrest
				13	1	M5 Size Allen Wrench
				14	1	M6 Size Allen Wrench

STEP 1.

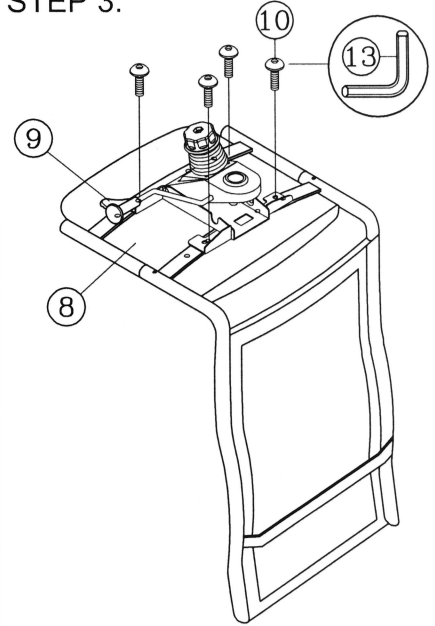


STEP 2.

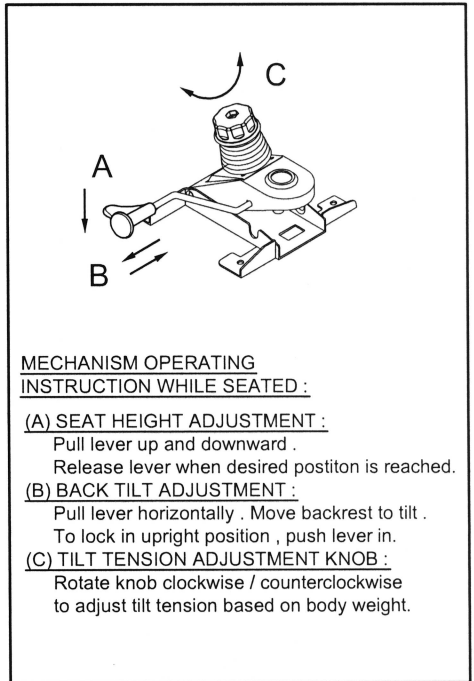
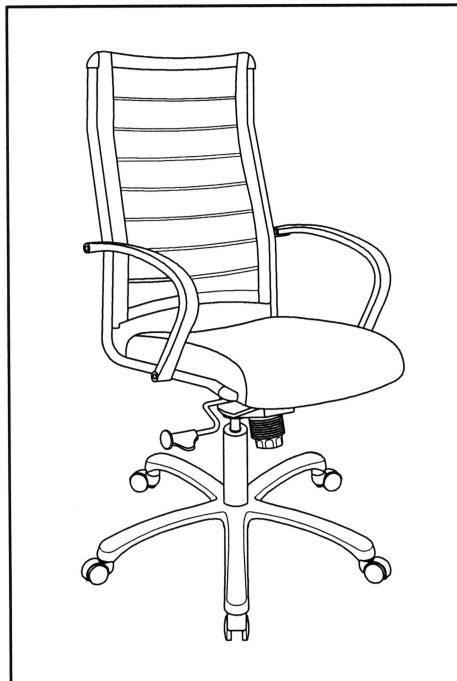
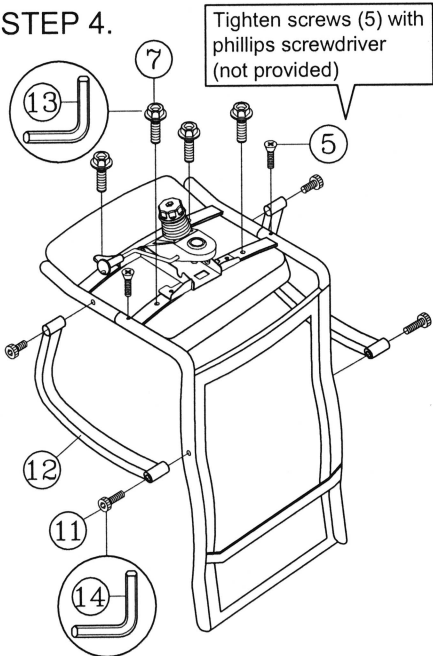


NOTE : Assemble frame (4) to backrest (6) and position over seat (8). Before connecting with screws (5) and (7), attach mechanism (9) with screws(10).

STEP 3.



STEP 4.



MECHANISM OPERATING INSTRUCTION WHILE SEATED :

(A) SEAT HEIGHT ADJUSTMENT :

Pull lever up and downward .
Release lever when desired position is reached.

(B) BACK TILT ADJUSTMENT :

Pull lever horizontally . Move backrest to tilt .
To lock in upright position , push lever in .

(C) TILT TENSION ADJUSTMENT KNOB :

Rotate knob clockwise / counterclockwise
to adjust tilt tension based on body weight.

PREVENTIVE MAINTENANCE AND WARNING!

- USE THIS PRODUCT ONLY FOR SEATING ONE PERSON AT A TIME.
- DO NOT USE THIS CHAIR AS A STEP STOOL / LADDER.
- DO NOT SIT ON ANY PART OF THE CHAIR EXCEPT THE SEAT.
- DO NOT USE CHAIR ON UNEVEN FLOOR SURFACES.
- DO NOT USE CHAIR UNLESS ALL BOLTS, SCREWS AND KNOBS ARE TIGHTENED.
- EVERY SIX MONTHS, PLEASE MAKE SURE ALL BOLTS, SCREWS AND KNOBS ARE FULLY TIGHTENED TO ENSURE STABILITY.
- IF ANY PARTS ARE MISSING, BROKEN, DAMAGED OR WORN, STOP USE OF THE PRODUCT UNTIL REPAIRS ARE MADE USING FACTORY AUTHORIZED PARTS.
- DISPOSE OF PACKAGING PROPERLY. PLASTIC BAG IS NOT A TOY. DO NOT USE PLASTIC BAG AS HEAD COVERING - IT MAY CAUSE SUFFOCATION.
- FAILURE TO FOLLOW THESE WARNINGS COULD RESULT IN SERIOUS INJURY.
- NOTE: SOME SCREWS MAY BE PREASSEMBLED. IF PREASSEMBLED, IGNORE ASSEMBLY INSTRUCTIONS.

LE811 / LE822

2011.11.14