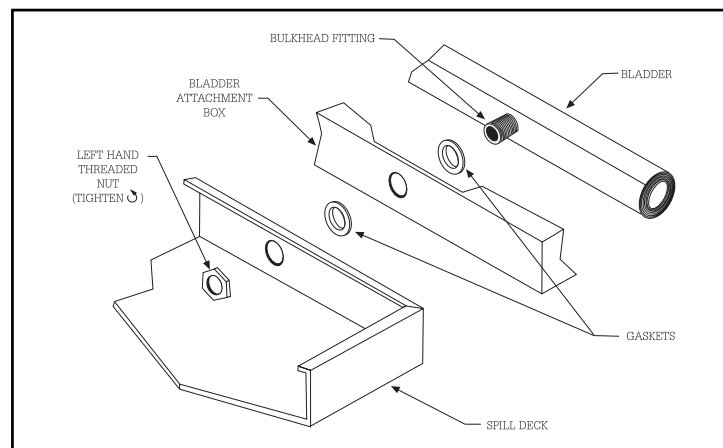


Ultra-SpillDeck Bladder Attachment Installation Instructions

- Step 1:** Place the Ultra-SpillDeck in the desired location for use. Remove the grate. Position the predrilled hole in the sidewall of the Ultra-SpillDeck so that it faces an aisle way or open area that measures at least four feet deep and six feet wide from the hole. Make sure the open area is free of any sharp objects that are protruding from the floor and may snag or cut the Bladder. It needs to be a level area or if it slopes it must slope away from the Ultra-SpillDeck.
- Step 2:** Remove the nut from the back of the Bladder Attachment and the cardboard reminder that indicates the nut has *left-handed threads* and needs to be screwed clockwise to remove. Leave the gasket in place on the threaded bulkhead fitting.
- Step 3:** Place the Bladder Attachment up against the side of the Ultra-SpillDeck so that the threaded bulkhead fitting in the center of the back of the Bladder Attachment inserts into the matching hole on the side of the Ultra-SpillDeck. The gasket on the threaded bulkhead fitting should be trapped between the Bladder Attachment and the SpillDeck sidewall.
- Step 4:** Cut the label located in the center of the Bladder Attachment along its dotted line to allow the door to swing open. Do NOT cut the rubber bands at this time. With one hand, reach into the center of the Bladder Attachment and grab the Bladder over the area in which the head of the bulkhead fitting is located. Grip firmly so the bulkhead fitting will not twist or turn while tightening the nut inside the Ultra-SpillDeck. With the other hand, inside the SpillDeck sump, tighten the nut onto the bulkhead fitting. Tighten firmly by hand or with a wrench so that all components are firmly tightened together forming a leak tight seal. Please note the nut and threads are *left-handed* and require counterclockwise twisting to install the nut.
- Step 5:** Carefully cut the rubber bands holding the Bladder in place. The rubber bands *must* be cut for the Bladder to deploy. Use caution not to cut or nick the Bladder when cutting the rubber bands. Do not try to remove the rubber bands even after cutting, simply leave them in place as long as they have been cut.
- Step 6:** Close the door to the Bladder Attachment and make sure it will swing open freely.
- Step 7:** Replace the grate into the Ultra-SpillDeck.
- Step 8:** Keep the deployment area in front of the Bladder Attachment free of debris and unobstructed to allow the Bladder system to work effectively.

*You are ready to contain a catastrophic leak up to 66 gallons.
This will meet EPA and UFC containment regulations.*

**NEVER UNFURL THE BLADDER. IT IS ROLLED UP AT THE
FACTORY IN A MANNER TO ASSURE 100% DEPLOYMENT**



Never reuse Bladders that have been unfurled.

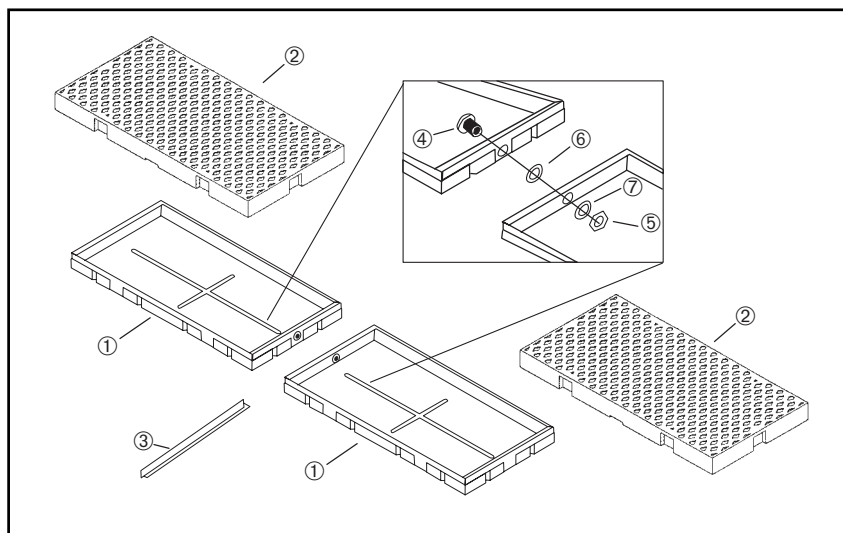
For Replacement Bladders call UltraTech at 800-353-1611 or one of your local UltraTech distributors.

Ultra-SpillDeck Bladder System

Instructions for Adding Additional SpillDeck Modules

- Step 1:** Remove the grates (2) for each SpillDeck (1) to be assembled to another SpillDeck.
- Step 2:** Align the SpillDeck modules so the predrilled holes in each sidewall are aligned. Leave a gap of approximately six inches between each module. Note: If you do not have predrilled holes, please call UltraTech for information on how to drill the holes yourself.
- Step 3:** Take a bulkhead fitting (4) and remove the nut (5), rubber gasket (6), and plastic washer (7). (The bulkhead fitting has *left-handed* threads, to remove the nut, twist *clockwise*.) Place the bulkhead fitting through one of the holes from inside of the SpillDeck. If the sidewall has two holes, repeat this same procedure for the other hole.
- Step 4:** Place the rubber gasket (6) onto the threaded section of the bulkhead fitting (4) on the outer side of the SpillDeck with the bulkhead fitting in the hole. The rubber gasket will be sandwiched between the two connected SpillDecks when assembly is complete. This will seal off the units.
- Step 5:** Carefully pull the two SpillDecks together so that the bulkhead fitting installed in the first SpillDeck pushes through the aligned holes on the second SpillDeck.
- Step 6:** Make sure the SpillDecks are butted together and the bulkhead fitting inserted through both SpillDeck sidewalls with the rubber gasket trapped between the units. Place the plastic washer (7) on the exposed bulkhead fitting threads and then twist on the nut (5). (The nut has a molded in “twist ← ” designation on one side, make sure this side faces away from the fitting.) Twist the nut on in a counterclockwise manner. Tighten the nut firmly with a wrench or by hand so that the whole assembly is firmly connected and the rubber gasket is compressed and sealed.
- Step 7:** Place the T-strips (3) or C-channels (3) into or onto the top edge where the SpillDecks meet.

If the SpillDeck System you assembled is not sized to hold 6 drums or more, you will need to add a Bladder Attachment to the System if you desire to meet EPA and UFC regulations for secondary containment.



UltraTech International, Inc. has more than 75 innovative Environmental Containment and Spill Response Products to meet today's compliance challenges. Please call 800-353-1611 for the name of an UltraTech distributor near you.