



UNASSEMBLED SINGLE TIER LOCKERS THREE-WIDE UNIT

Tennsco Corp., Dickson, TN 37056-1888 • (615) 446-8000

RETAIN INSTRUCTIONS FOR FUTURE REFERENCE!

Tennsco single tier lockers are designed for use by single individuals for the security of clothing and personal property. One- or three- wide units are available in 60" or 72" heights, with or without legs. Optional opening sizes are 12", 15", 18", or 24" wide by 12", 15", 18", 21", and 24" deep. Heavy gauge steel construction with baked on enamel finish assures years of trouble free service, even under the most demanding situations. All units have a top shelf and three coat hooks in each compartment; units 18" deep and deeper provide a coat rod. Doors are equipped with painted locking channels which are completely cushioned for silent operation, as well as recessed handles that allow the use of standard size padlocks, built-in key locks and combination locks (all optional) for a flush, clean appearance.



Basic Construction:

All models are constructed of 16 gauge steel frames and doors with a 24 gauge door stiffener and 24 gauge body components. Locking channels are 20 gauge with baked on enamel finish with quiet-action spring loaded latches. Recessed handles are black painted steel. Doors are louvered for ventilation.

GENERAL SAFETY INFORMATION

Some parts may have sharp edges. CARE must be taken when handling various pieces to avoid injury. For safety, wear a pair of work gloves when assembling or performing any maintenance on lockers.

LIMITED WARRANTY

Tennsco warrants goods purchased hereunder to be free of defects in materials and workmanship for a period of one (1) year from the date of shipment, hereunder. This warranty shall not apply in the event goods are damaged as a result of misuse, abuse, neglect, accident, improper application, modification or repair by persons not authorized by Seller, where goods are damaged during shipment, or where the date stamps on the goods have been defaced, modified or removed. UNLESS CONSIDERED UNENFORCEABLE OR UNLAWFUL UNDER APPLICABLE LAW:

- a. ALL IMPLIED WARRANTIES, INCLUDING BUT NOT LIMITED TO WARRANTIES OR MERCHANTABILITY AND FITNESS FOR A PARTICULAR PURPOSE ARE HEREBY EXCLUDED:
- b. BUYERS REMEDY, IF ANY, FOR ANY DEFECTIVE GOODS SHALL BE LIMITED TO A REFUND BY SELLER OR REPLACEMENT OF THE GOODS AT SELLER'S OPTION, AND SHALL IN NO EVENT INCLUDE DAMAGES OF ANY KIND, WHETHER INCIDENTAL, CONSEQUENTIAL OR OTHERWISE.

NO GOODS ACCEPTED FOR RETURN WITHOUT PRIOR APPROVAL. Seller shall have the right to inspect any goods claimed to be defective at Buyers place of business or require Buyer to return the goods to Seller for inspection on Seller's premises. Transportation charges covering returned goods will be borne by Seller only if such goods are proven to be defective, are covered by this warranty and are returned within the warranty period stated above.

TENNSCO Corp., P.O. BOX 1888, DICKSON, TN 37056-1888

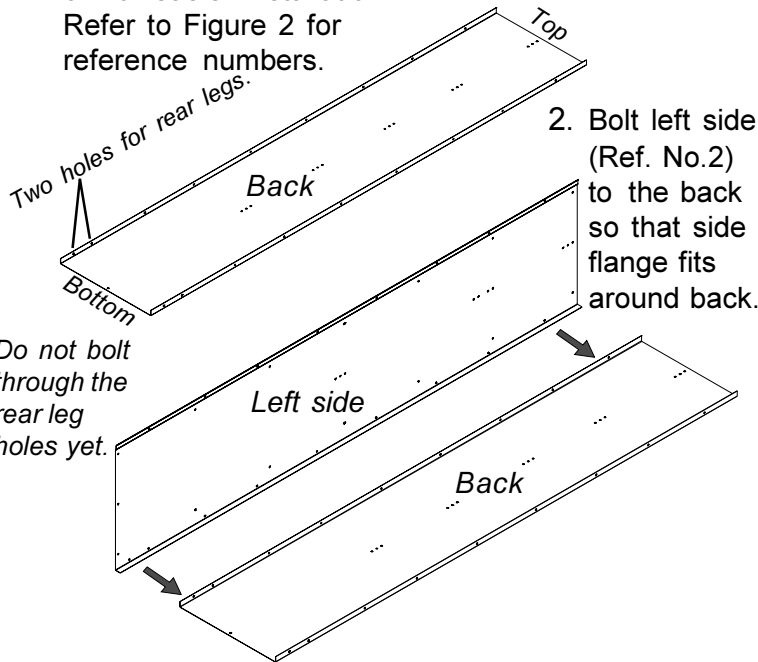
(615) 446-8000 or (866) 446-8686 (toll free)

Website: www.tennsco.com E-mail: Info@tennsco.com

ASSEMBLY OF SINGLE TIER LOCKERS -- THREE WIDE UNIT

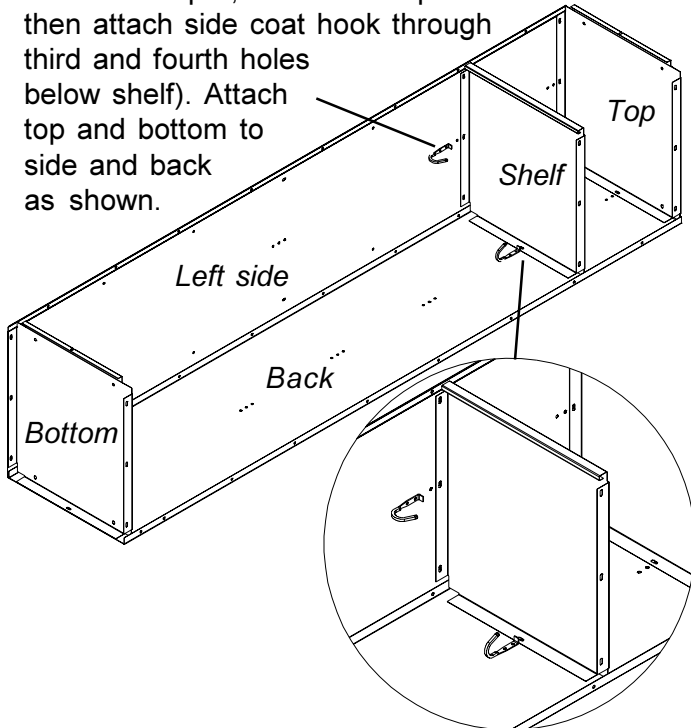
Assemble lockers individually or in groups of three. Do not tighten bolts until unit is completely assembled. Tools required: 11/32" nut driver (11/32" socket may be substituted)

1. Place back on a protected flat surface so that the flanges are upward. If available use a pair of "Saw Horses" to assemble units on for easier installation. Refer to Figure 2 for reference numbers.



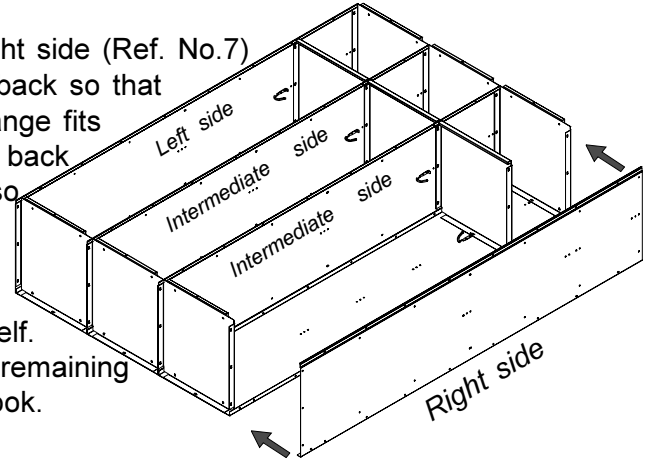
2. Bolt left side (Ref. No.2) to the back so that side flange fits around back.

3. Bolt shelf (Ref. No.4) to back and side place coat hooks (Ref. No.5) as shown. (For lockers 18" and deeper, bolt shelf in place and then attach side coat hook through third and fourth holes below shelf). Attach top and bottom to side and back as shown.

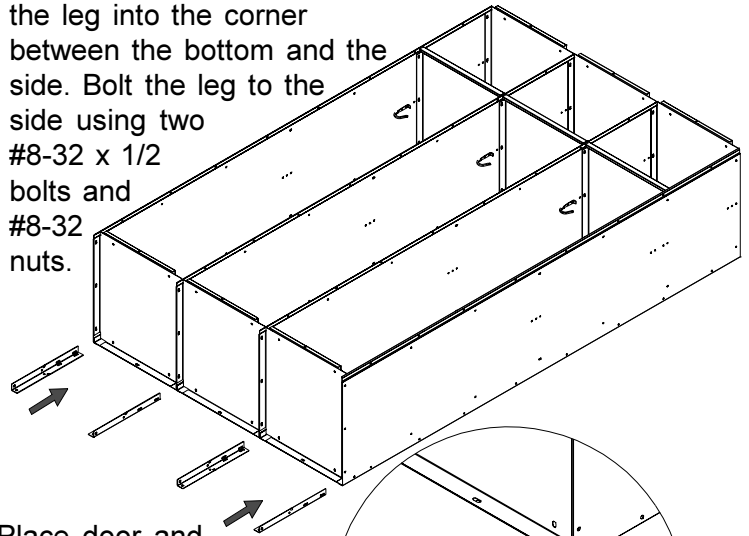


4. Repeat steps 1, 2 and 3 to assemble second and third sections. Make certain that coat hooks are attached on each side panel surface. A right side or left side can be used as an intermediate side. Save one right side to be used in step 5.

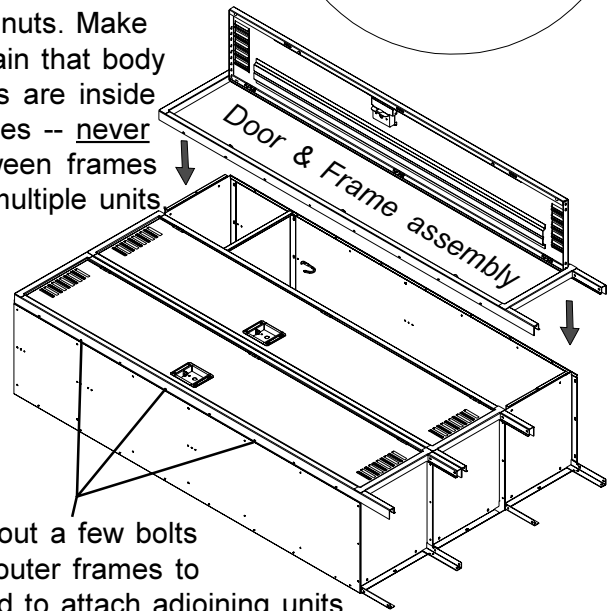
5. Bolt right side (Ref. No.7) to the back so that side flange fits around back and also attach to top, bottom and shelf. Attach remaining coat hook.



6. If the locker has legs, insert the leg into the corner between the bottom and the side. Bolt the leg to the side using two #8-32 x 1/2 bolts and #8-32 nuts.

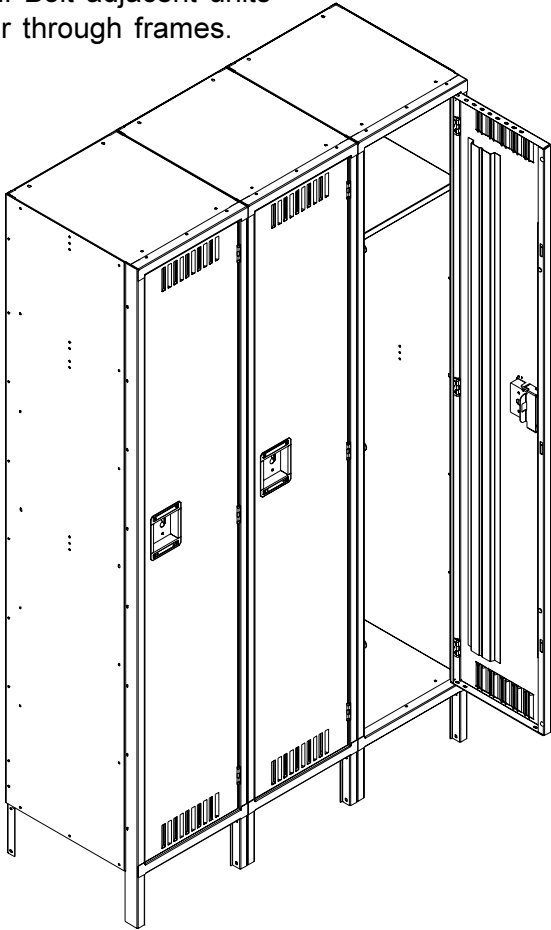


7. Place door and frame assembly (Ref.Nos. 8 & 9) over the locker body/bodies and secure with bolts and nuts. Make certain that body sides are inside frames -- never between frames on multiple units.



Leave out a few bolts in the outer frames to be used to attach adjoining units.

8. Stand units upright and place in desired location. Bolt adjacent units together through frames.



9. Place non slotted end of coat rod (Ref. No. 10) over projecting tab at top of left coat hook. Slide the slotted end of the coat rod over the projecting tab in the right coat hook and turn 90 degrees to secure it.
10. Anchor units to wall or floor. The units are not intended to stand free and may topple if not secured. (Units standing back to back should be bolted together.)

Care must be taken to assure that lockers are set plumb and true before anchoring.

11. If units are not pre-numbered, optional number plates (Ref. No. 11) may be attached with two #6 x 5/16 drive screws or push plugs (Ref. No. 12).

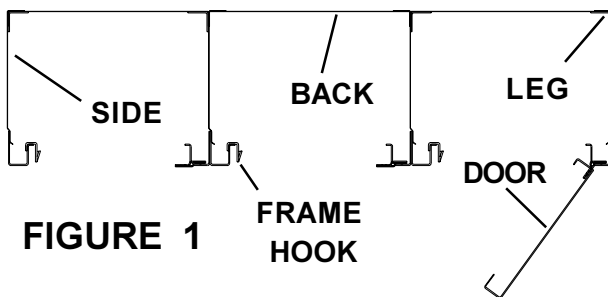
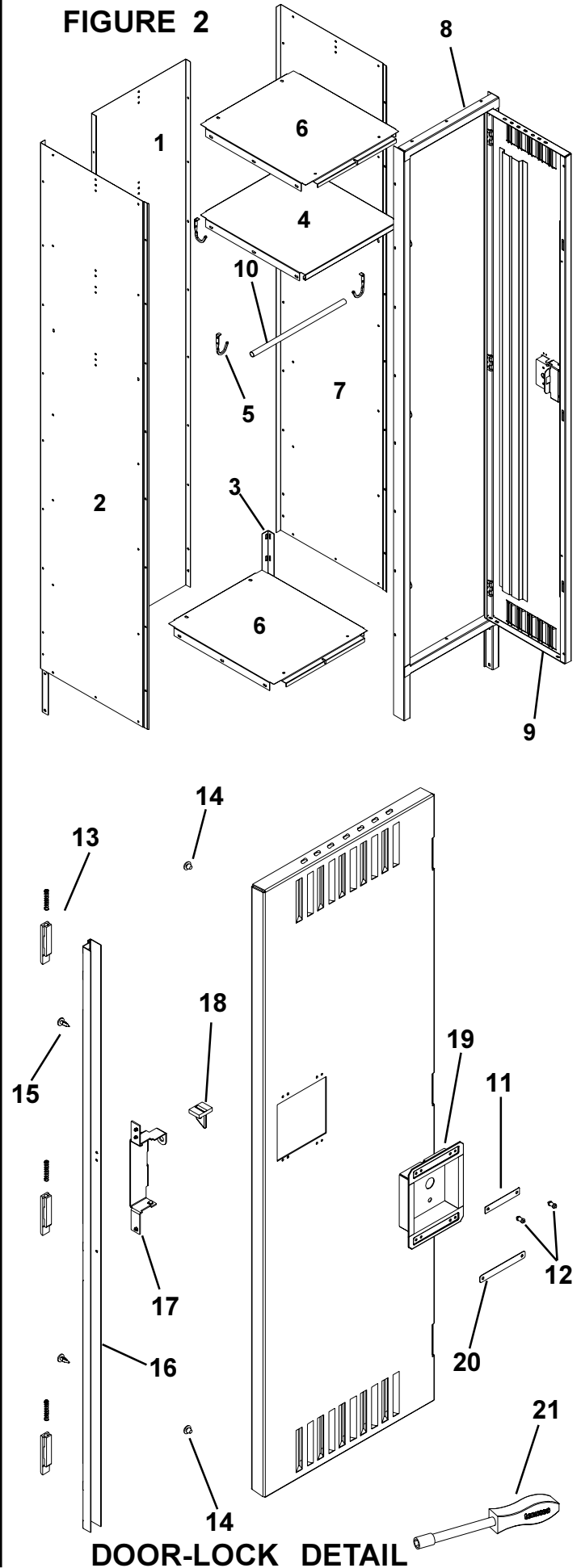
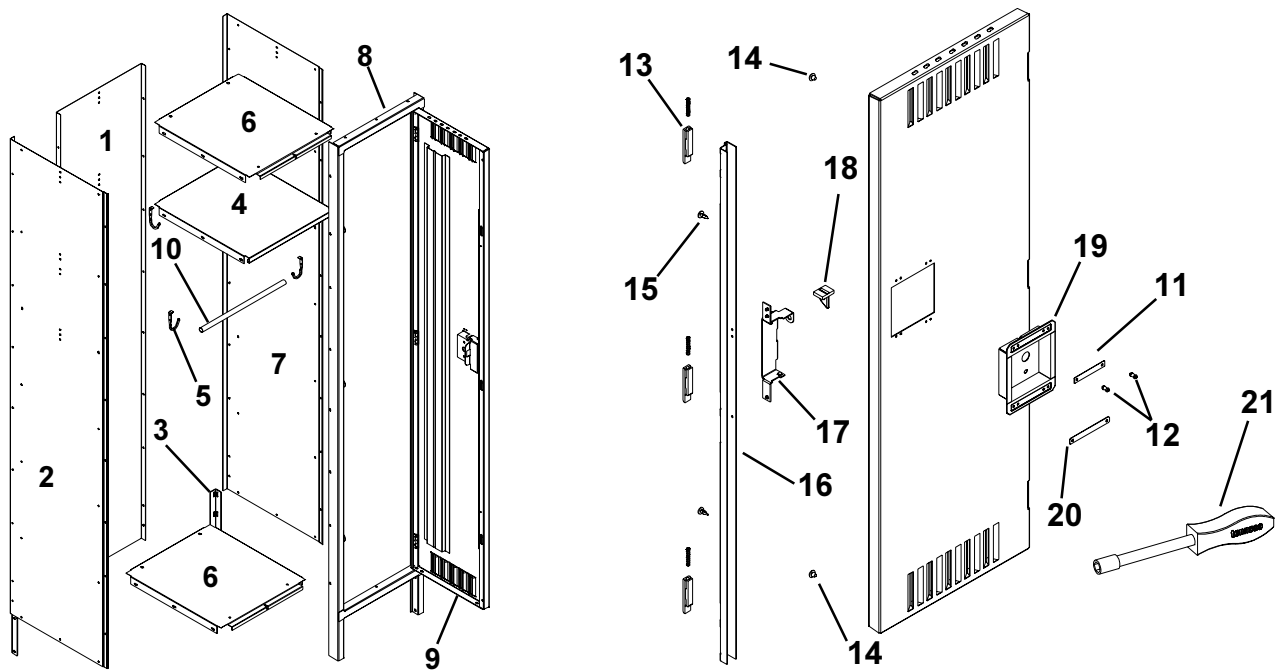


FIGURE 1

FIGURE 2



DOOR-LOCK DETAIL



REPLACEMENT PARTS

REF. NO.	DESCRIPTION	PART NO.	QUANTITY
1	Back	*LSTB-wwhh	3
2	Left side	*LSSL-ddhh	2
3	Rear leg	LRL-1	4
4	Shelf	*ESL-wwdd	3
5	Coat hook	LCH-1	6
6	Top/Bottom	*LTB-wwdd	6
7	Right side	*LSSR-wwhh-x	2
8	Door frame assembly	*LSFA-wwhh-x	3
9	Locker Door	*LSTD-wwhh	3
10	Coat rod (in units 18" or deeper only)	*LCR-ww	3
11	Number plate	LNP-3	3
12	Push plug	LPP-1	6
13	Latch and spring	LL-3	9
14	Bumper	LB-1	6
15	Dart clip	LDC-1	6
16	Locking channel	LLCA-1	3
17	Lock receiver	LPR-2	3
18	Reinforcement tab	LRT-1	3
19	Recessed handle (painted steel)	LRH-2	3
or	Recessed handle (plastic)	LRH-1	3
or	Recessed handle (stainless steel)	LCH-1	3
20	Logo plate	LPN-2	3
21	Tensco nut driver	TOOL-2	1

* Part No. is composed of prefix shown plus combination of opening width, depth and height. Door frame assemblies require a further suffix (x) of either 1 or A. "1" indicates frame with legs; "A" indicates frame without legs. For example: A door frame assembly for locker STK-151872 with legs would be Part No. LSFA-1572-1. The door assembly alone without the frame would be Part No. LSTD-1572 for the same locker.

We make every effort to ensure that all units ship complete and arrive undamaged. However, should your unit contain missing or damaged parts, replacements may be obtained directly from us. To obtain proper replacement parts, follow the instructions below, or fill out the form at www.tensco.com/partsorder.html.

TO OBTAIN PROPER REPLACEMENT PARTS, PLEASE PROVIDE THE FOLLOWING INFORMATION:

- Model Number
- Description of part(s) needed and part number(s) as shown in Parts List (above)
- Color (i.e. Medium Grey, etc.)
- Was item missing, or was it damaged?
- Purchase Date
- Your company name
- Contact person's name
- Who the product was purchased from

Tensco Corp., P.O. Box 1888, Dickson, TN 37056-1888 E-mail address: info@tensco.com

Customer Service: (866) 446-8686 Fax: (800) 722-0134

If requesting parts by telephone, ask for customer service and have as much of the above information ready as possible.