



TENNSCO DELUXE STORAGE CABINET Models 1870RH and 2470RH

Tennsco Corp., Dickson, TN 37056-1888 • (615) 446-8000

RETAIN INSTRUCTIONS FOR FUTURE REFERENCE!

Congratulations on your purchase of a Tennsco Deluxe Storage Cabinet! Tennsco's 1870RH and 2470RH units are general purpose storage cabinets that provide a level of quality you won't find elsewhere. They provide secure storage for office supplies, books, records, small parts, tools, etc.

These cabinets offer five openings with four adjustable shelves, two brushed chrome handles (one fixed and one lockable with two keys), and a three-point locking system for extra security. Additional features include rear louvres for ventilation and nylon lock-bar guides to ensure quiet operation.

Tennsco's cabinets are constructed from top quality 22 to 24 gauge steel with a 16 gauge frame, and offers weight capacities of up to 200 lbs. per shelf (evenly distributed). Our attractive and durable powder-coated paint finish will provide for years of service.

GENERAL SAFETY INFORMATION

Some parts may have sharp edges. CARE must be taken when handling various pieces to avoid injury. For safety, wear a pair of work gloves when assembling or performing any maintenance on your cabinet.



LIMITED WARRANTY

Tennsco warrants goods purchased hereunder to be free of defects in materials and workmanship for a period of one (1) year from the date of shipment, hereunder. This warranty shall not apply in the event goods are damaged as a result of misuse, abuse, neglect, accident, improper application, modification or repair by persons not authorized by Seller, where goods are damaged during shipment, or where the date stamps on the goods have been defaced, modified or removed. UNLESS CONSIDERED UNENFORCEABLE OR UNLAWFUL UNDER APPLICABLE LAW:

- a. ALL IMPLIED WARRANTIES, INCLUDING BUT NOT LIMITED TO WARRANTIES OR MERCHANTABILITY AND FITNESS FOR A PARTICULAR PURPOSE ARE HEREBY EXCLUDED:
- b. BUYERS REMEDY, IF ANY, FOR ANY DEFECTIVE GOODS SHALL BE LIMITED TO A REFUND BY SELLER OR REPLACEMENT OF THE GOODS AT SELLER'S OPTION, AND SHALL IN NO EVENT INCLUDE DAMAGES OF ANY KIND, WHETHER INCIDENTAL, CONSEQUENTIAL OR OTHERWISE.

NO GOODS ACCEPTED FOR RETURN WITHOUT PRIOR APPROVAL. Seller shall have the right to inspect any goods claimed to be defective at Buyers place of business or require Buyer to return the goods to Seller for inspection on Seller's premises. Transportation charges covering returned goods will be borne by Seller only if such goods are proven to be defective, are covered by this warranty and are returned within the warranty period stated above.

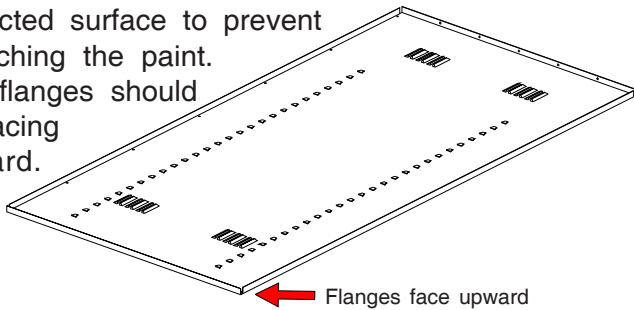
TENNSCO Corp., P.O. BOX 1888, DICKSON, TN 37056-1888
(615) 446-8000 or (866) 446-8686 (toll free)
Website: www.tennsco.com E-mail: Info@tennsco.com

INSTALLATION OF 1870RH AND 2470RH CABINETS

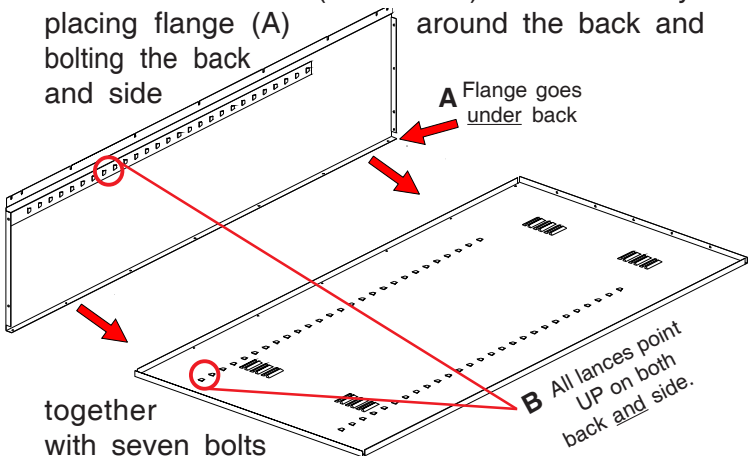
Tools needed: An $1\frac{1}{32}$ " nut driver (provided free with unit); a hammer; and a flathead screwdriver.
Two people recommended for installation. Approximate assembly time: 15 to 25 minutes.

1. The reference numbers used throughout this sheet refer to the illustration on the back cover. This is to help you to identify the various parts as they are mentioned.

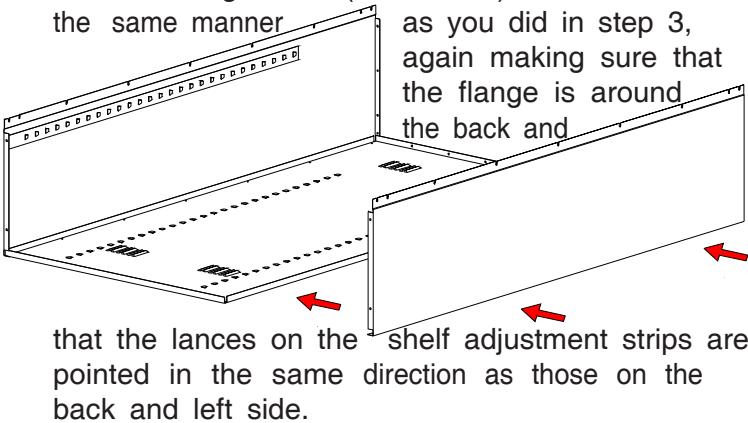
2. Place the cabinet back (Ref. No. 1) on a protected surface to prevent scratching the paint. The flanges should be facing upward.



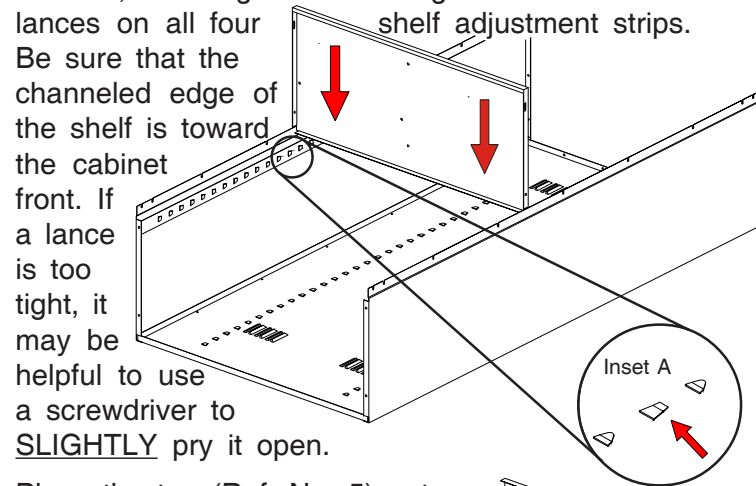
3. Attach the left side (Ref. No. 2) to the back by placing flange (A) around the back and bolting the back and side



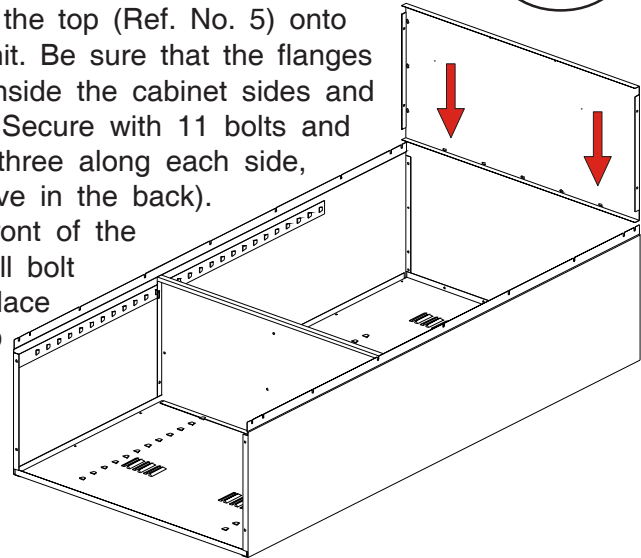
4. Attach the right side (Ref. No. 3) to the back in the same manner as you did in step 3, again making sure that the flange is around the back and



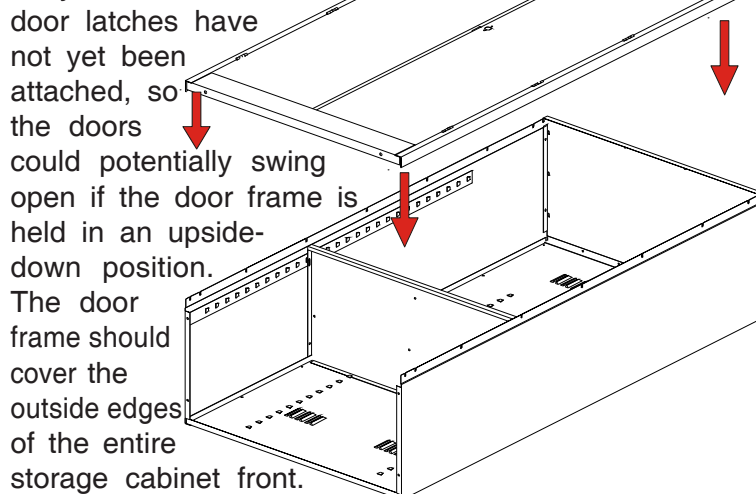
5. To help hold the sides in position, insert one shelf (Ref. No. 4) into the approximate center of the unit, inserting the shelf edges into the lances on all four shelf adjustment strips. Be sure that the channeled edge of the shelf is toward the cabinet front. If a lance is too tight, it may be helpful to use a screwdriver to SLIGHTLY pry it open.



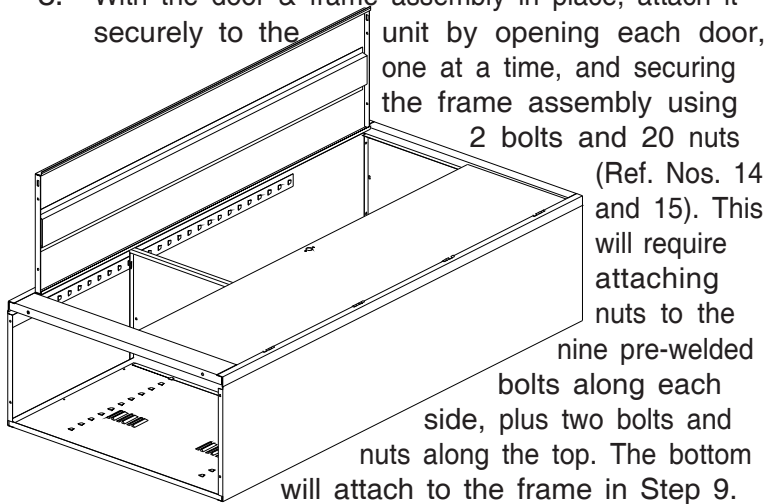
6. Place the top (Ref. No. 5) onto the unit. Be sure that the flanges tuck inside the cabinet sides and back. Secure with 11 bolts and nuts (three along each side, and five in the back). The front of the top will bolt into place in step 8.



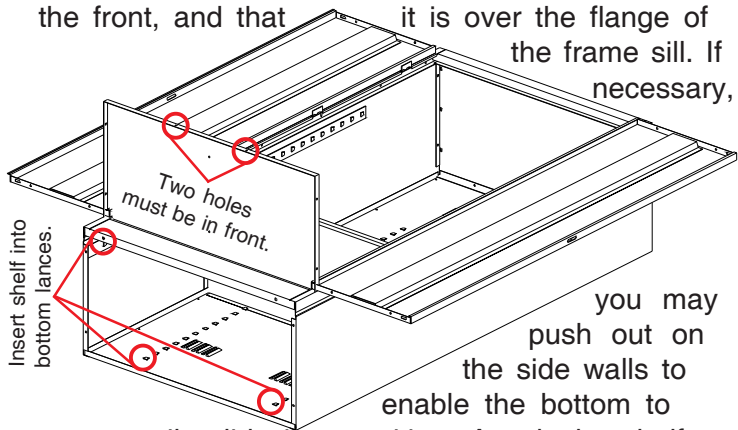
7. With both doors in the closed position, lift the door and frame assembly (Ref. No. 6) and place it over the cabinet body. Be aware that the door latches have not yet been attached, so the doors could potentially swing open if the door frame is held in an upside-down position.



8. With the door & frame assembly in place, attach it securely to the unit by opening each door, one at a time, and securing the frame assembly using 2 bolts and 20 nuts (Ref. Nos. 14 and 15). This will require attaching nuts to the nine pre-welded bolts along each side, plus two bolts and nuts along the top. The bottom will attach to the frame in Step 9.

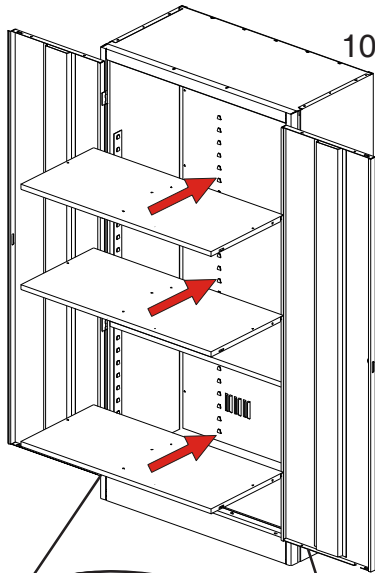


9. Place the bottom (Ref. No. 7) in the lowest notch of the shelf adjusting strips on the sides and back. Make sure the flange with two holes faces the front, and that it is over the flange of the frame sill. If necessary,

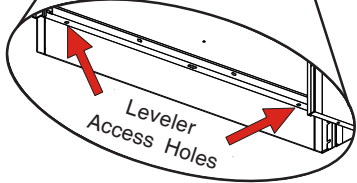


you may push out on the side walls to enable the bottom to more easily slide into position. Attach the shelf securely by bolting the bottom to the frame sill with two bolts and nuts.

10. Insert the remaining shelves at your desired levels. The shelf you inserted earlier may also be moved to a different level if desired.

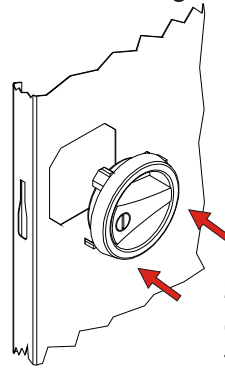


11. The cabinet must be level in order for the doors to close properly. Levelers may be adjusted by placing a screwdriver through the hole in each end of the sill and adjusting the leveling screw.

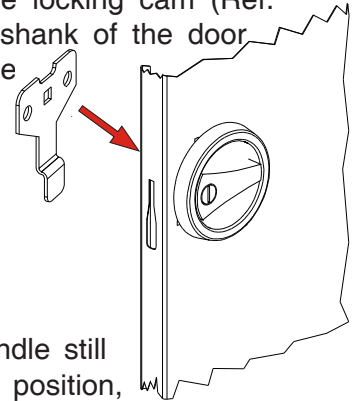


Handle/Locking System Installation Instructions

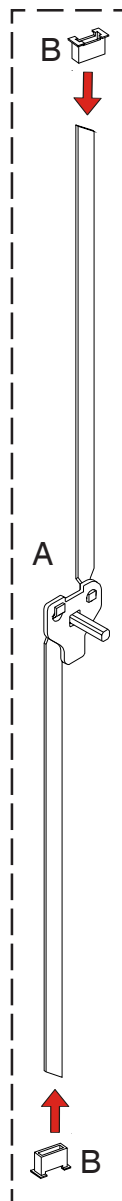
1. Place the locking handle (Ref. No. 9) through the hole in the right hand door and push until it snaps into place.



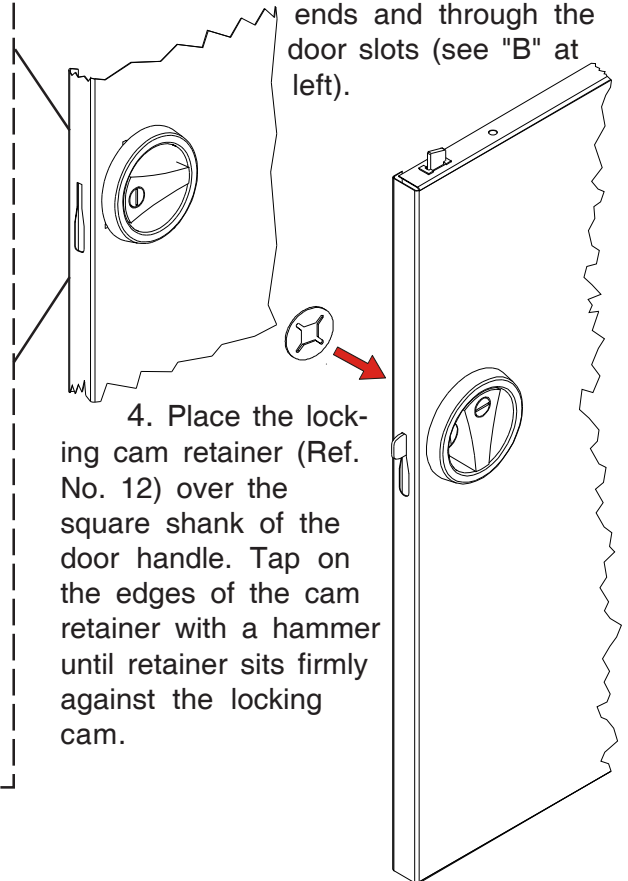
2. Turn the handle to the open position, and place the locking cam (Ref. No. 10) over the square shank of the door handle. The latch must be facing downward as shown at right.



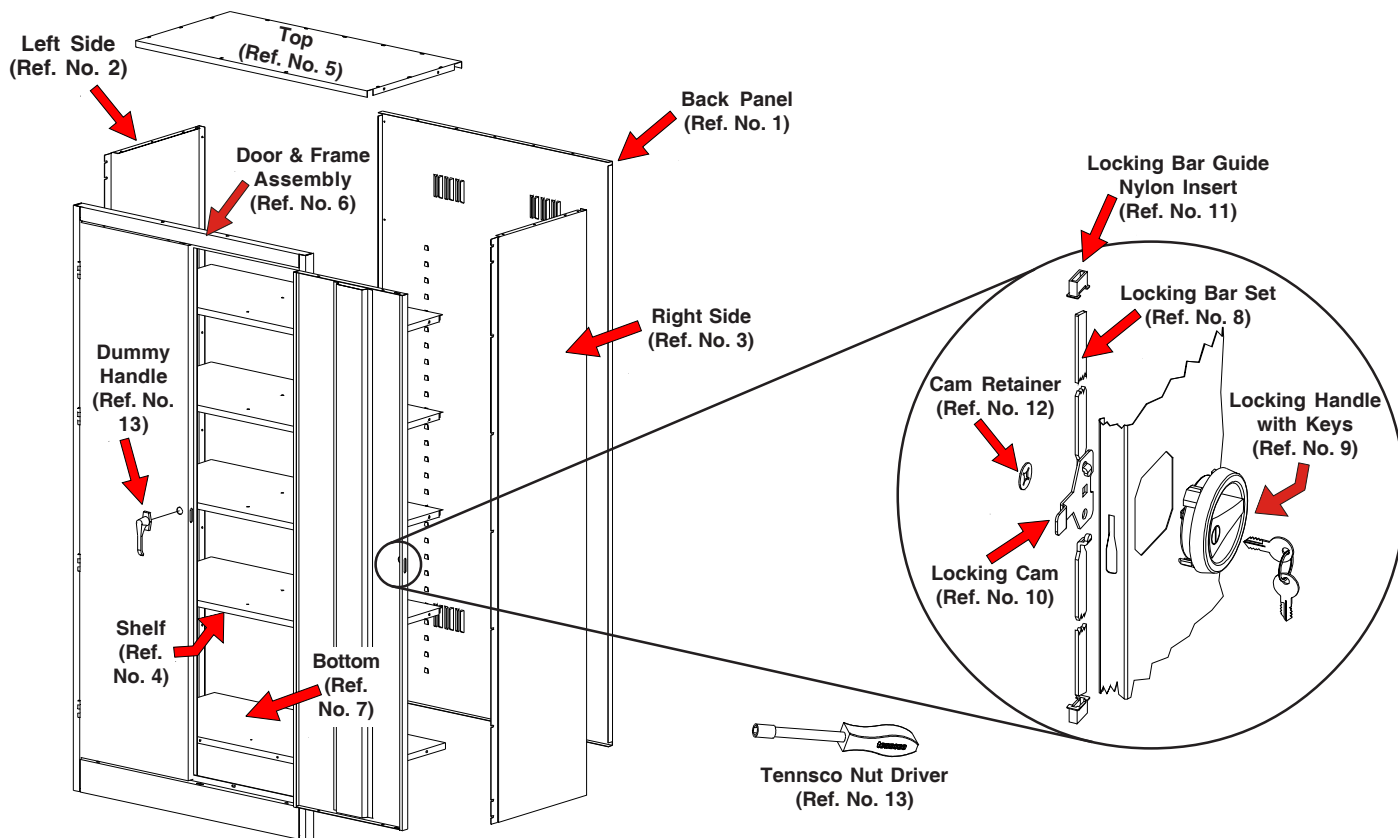
3. With the handle still in the open position, hook the locking bars (Ref. No. 8) to the locking cam (see "A" at left). Then, hold the lock bars in position while sliding the nylon lock bar guide inserts (Ref. No. 11) over the lock bar ends and through the door slots (see "B" at left).



4. Place the locking cam retainer (Ref. No. 12) over the square shank of the door handle. Tap on the edges of the cam retainer with a hammer until retainer sits firmly against the locking cam.



REPLACEMENT PARTS



REF. NO.	DESCRIPTION	1870RH (18" d cabinet)		2470RH (24" d cabinet)	
		QTY.	PART NO.	QTY.	PART NO.
1	Back panel	1	043BA	1	043BA
2	Left side	1	043LS	1	044LS
3	Right side	1	043RS	1	044RS
4	Shelf	4	301	4	302
5	Top	1	043TO	1	044TO
6	Door & Frame Assembly	1	043DF	1	043DF
7	Bottom	1	043BO	1	044BO
8	Locking bar set	1	043LB	1	043LB
9	Locking handle w/keys & hardware	1	RH-1	1	RH-1
10	Locking cam*	1	944LC	1	944LC
11	Locking bar guide insert (nylon)*	2	944GI	2	944GI
12	Cam retainer*	1	944CR	1	944CR
13	Tenssco nut driver	1	TOOL-2	1	TOOL-2
14	#8-32 x 3/8"bolts* (not shown above)	31	**	31	**
15	#8-32 nuts* (not shown above)	47	**	47	**

*Included in Ref. No. 9, locking handle with keys and hardware (Part No. RH-1). **Available Locally

We make every effort to ensure that all units ship complete with all parts and arrive undamaged. However, should your unit contain missing or damaged parts, replacements may be obtained directly from us. To obtain proper replacement parts, follow the instructions below:

TO OBTAIN PROPER REPLACEMENT PARTS, PLEASE PROVIDE THE FOLLOWING INFORMATION:
(This information may be sent to us online using the form at www.tenssco.com/replacement.cfm)

- Model Number (1870RH or 2470RH)
- Description of part(s) needed and part number(s) as shown in Parts List (above)
- Color (i.e. Medium Grey, etc.)
- Was item missing, or was it damaged?
- Purchase Date
- Your company name
- Contact person's name
- Who the product was purchased from
- Your shipping address

Tenssco Corp., P.O. Box 1888, Dickson, TN 37056-1888 Customer Service: (866) 446-8686 Fax: (866) 445-7260
If requesting parts by telephone, ask for customer service and have as much of the above information ready as possible.