

RETAIN INSTRUCTIONS FOR FUTURE REFERENCE!

Congratulations on your purchase of a Tennsco Wardrobe Cabinet! Tennsco's 1471 units provide a level of quality you won't find elsewhere. They provide secure storage with a hanging rod for jackets, clothing, and other hanging garments, along with one shelf for hats, books, tools, and other general storage.



These cabinets also offer a locking chrome handle with two keys, and a three-point locking system for extra security.

Tennsco's cabinets are constructed from top quality 22 to 24 gauge steel, with 22 gauge steel shelves, offering weight capacities of up to 200 lbs. per shelf (evenly distributed). Our attractive and durable powder-coated paint finish will provide for years of service.

GENERAL SAFETY INFORMATION

Some parts may have sharp edges. CARE must be taken when handling various pieces to avoid injury. For safety, wear a pair of work gloves when assembling or performing any maintenance on shelving.

REF. NO.	DESCRIPTION	QTY.	PART NO.
1	Back Panels	1	944BA
2	Left Side	1	944LS
3	Right Side	1	944RS
4	Shelf	1	301
5	Top	1	944TO
6	Sill	1	944SI
7	Bottom	1	944BO
8	Left Door	1	944LD
9	Right Door	1	944RD
10	Locking Bar Set	1	944LB
11	Locking Handle w/keys & hardware	1	944LH
12	Locking Cam*	1	944LC
13	Cotter Pin*	1	CTRPN
14	Locking Bar Guide Insert (Nylon)*	2	944GI
15	Hinge Pin	6	944HP
16	Coat Rod	1	046CR
17	Coat Rod Bracket	2	045RB
18	Tennsco Nut Driver	1	TOOL-2
19	#8-32 x 3/8" bolts* (not shown above)	31	**
20	#8-32 nuts* (not shown above)	47	**

*Included in Ref. No. 13, locking handle with keys and hardware (Part No. 043LH). **Available Locally

Tennsco makes every effort to ensure that all units ship complete with all parts and arrive undamaged. However, should your unit contain missing or damaged parts, replacements may be obtained directly from Tennsco. To obtain proper replacement parts, follow the instructions below: (or fill out the form at www.tennsco.com/replacement.cfm)

TO OBTAIN PROPER REPLACEMENT PARTS, PLEASE PROVIDE THE FOLLOWING INFORMATION:

- Model Number (1471)
- Description of part(s) needed and part number(s) as shown in Parts List (above)
- Color (i.e. Medium Grey, etc.)
- Purchase Date
- Your company name and contact person
- Who the product was purchased from
- Was item missing, or was it damaged?

If requesting parts by telephone, please have as much of the above information ready as possible.

This information may also be submitted online at www.tennsco.com/replacement.cfm

Tennsco Corp., P. O. Box 1888, Dickson, TN 37056-1888 Customer Service: (866) 446-8686 Fax: (800) 722-0134

LIMITED WARRANTY

Tennsco warrants goods purchased hereunder to be free of defects in materials and workmanship for a period of one (1) year from the date of shipment, hereunder. This warranty shall not apply in the event goods are damaged as a result of misuse, abuse, neglect, accident, improper application, modification or repair by persons not authorized by Seller, where goods are damaged during shipment, or where the date stamps on the goods have been defaced, modified or removed. UNLESS CONSIDERED UNENFORCEABLE OR UNLAWFUL UNDER APPLICABLE LAW:

- a. ALL IMPLIED WARRANTIES, INCLUDING BUT NOT LIMITED TO WARRANTIES OR MERCHANTABILITY AND FITNESS FOR A PARTICULAR PURPOSE ARE HEREBY EXCLUDED:
- b. BUYERS REMEDY, IF ANY, FOR ANY DEFECTIVE GOODS SHALL BE LIMITED TO A REFUND BY SELLER OR REPLACEMENT OF THE GOODS AT SELLER'S OPTION, AND SHALL IN NO EVENT INCLUDE DAMAGES OF ANY KIND, WHETHER INCIDENTAL, CONSEQUENTIAL OR OTHERWISE.

NO GOODS ACCEPTED FOR RETURN WITHOUT PRIOR APPROVAL. Seller shall have the right to inspect any goods claimed to be defective at Buyers place of business or require Buyer to return the goods to Seller for inspection on Seller's premises. Transportation charges covering returned goods will be borne by Seller only if such goods are proven to be defective, are covered by this warranty and are returned within the warranty period stated above.

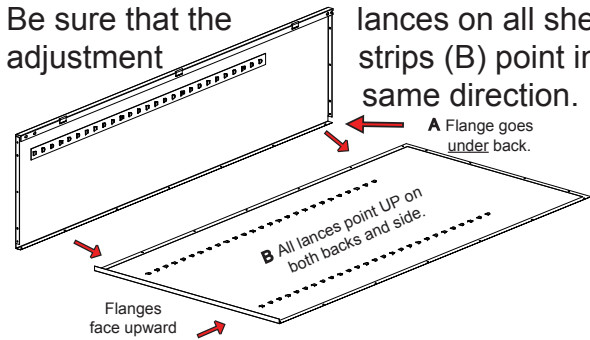
TENNSCO CORP., P.O. BOX 1888, DICKSON, TN 37056-1888
(615) 446-8000 (800) 251-8184

INSTALLATION OF 1471 CABINET

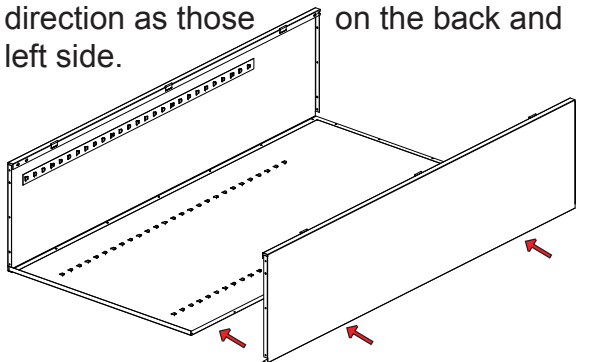
Tools Needed: A free 11/32" nut driver is included with each Tennsco cabinet. In addition, you will need a flathead screwdriver. A hammer is required to install the hinge pin. Two people are recommended for assembly. Approximate assembly time: 15-25 minutes.

1. Remove all parts from the carton and check against the parts list on the back cover for any missing parts.

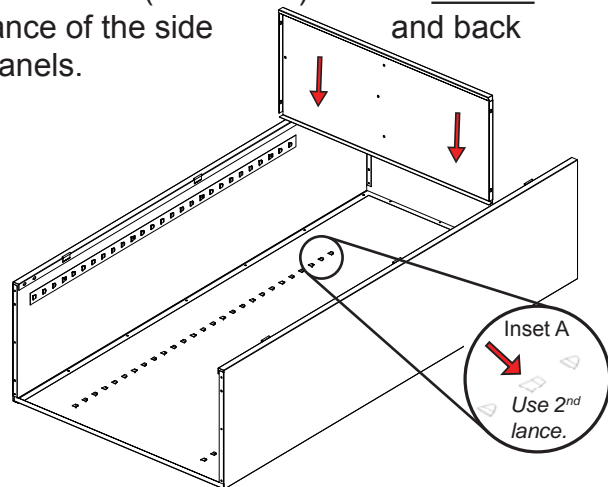
2. Attach the left side (Ref. No. 2) to the back by placing flange (A) around the back and bolting tightly together with seven bolts and nuts. Be sure that the adjustment lances on all shelf strips (B) point in the same direction.



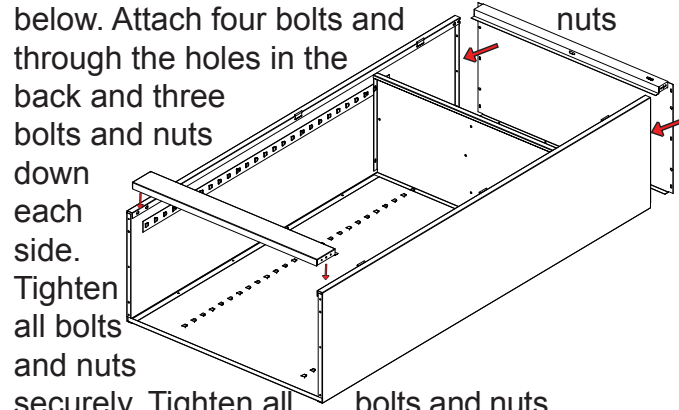
3. Attach the right side (Ref. No. 3) to the back in the same manner as you did in step 3, again, making sure that the flange is around the back and that the lances on the shelf adjustment strips are pointed in the same direction as those on the back and left side.



4. Insert shelf (Ref. No. 4) into the second lance of the side and back panels.

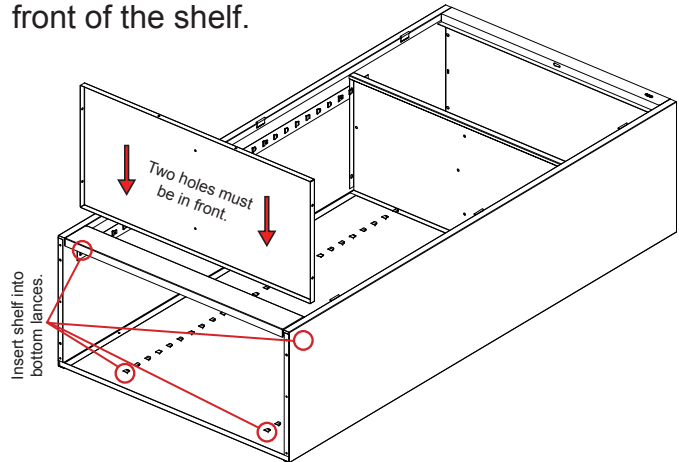


5. Attach the top (Ref. No. 6) by inserting the bolts into the holes on the ends of the top and securing them loosely with 4 nuts. Insert the bolt heads into the large end of the keyhole slots, then slide them securely into the smaller end. Be sure that the back flange on the top overlaps on the outside of the back, while the flange on the side panel fits over the left edge of the cabinet top as illustrated below. Attach four bolts and nuts through the holes in the back and three bolts and nuts down each side.

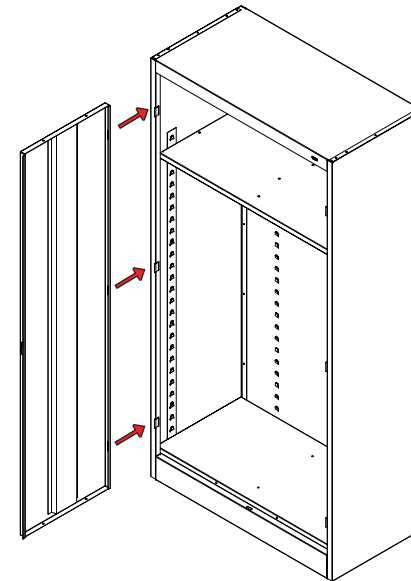
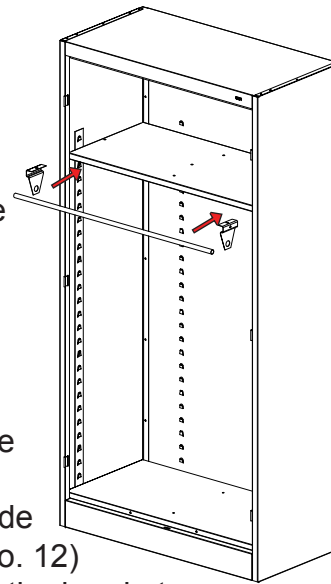


- Tighten all bolts and nuts securely. Tighten all bolts and nuts securely. Next, insert bolts into the outside holes on the sill (Ref. No. 8) (two on each end). Attach the nuts, but do not tighten. Place the sill between the sides at the front of the cabinet, inserting the loose bolt heads into the two keyhole slots on each side. Make sure the bolt heads are fully pulled down into the bottom of the keyhole slots. Securely tighten the four bolt heads.

6. Place the levelers on the bottom of the sides and place the bottom (Ref. No. 7) into the bottom lances, located on the back and sides of the unit. The flange of the sill will be just in front of the shelf.

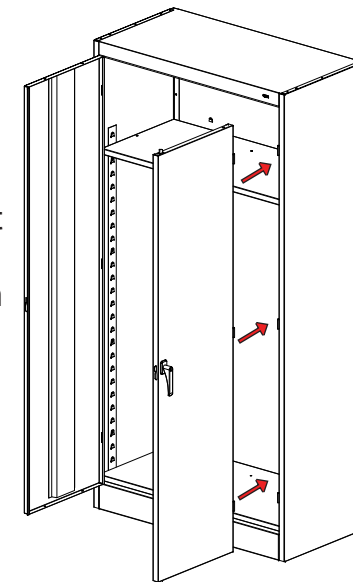


7. Using two people, set the unit upright and attach the left coat rod bracket (Ref. No. 11) beneath the left side of the cabinet shelf by inserting one bolt through the hole in the left edge of the shelf. Secure with a nut. Attach the right bracket in the same way. Then, slide the coat rod (Ref. No. 12) through the holes in the brackets.

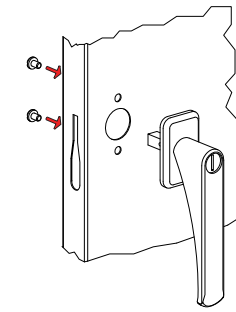


8. Attach the left door (Ref. No. 6) to the unit by placing the door on the hinges, aligning the holes and using a hammer to tap the hinge pins into place with the side of a screwdriver.

9. Attach the right door (Ref. No. 7) to the unit in the same way you attached the left door.

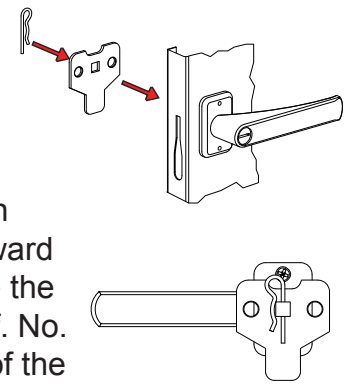


Handle/Locking System Installation

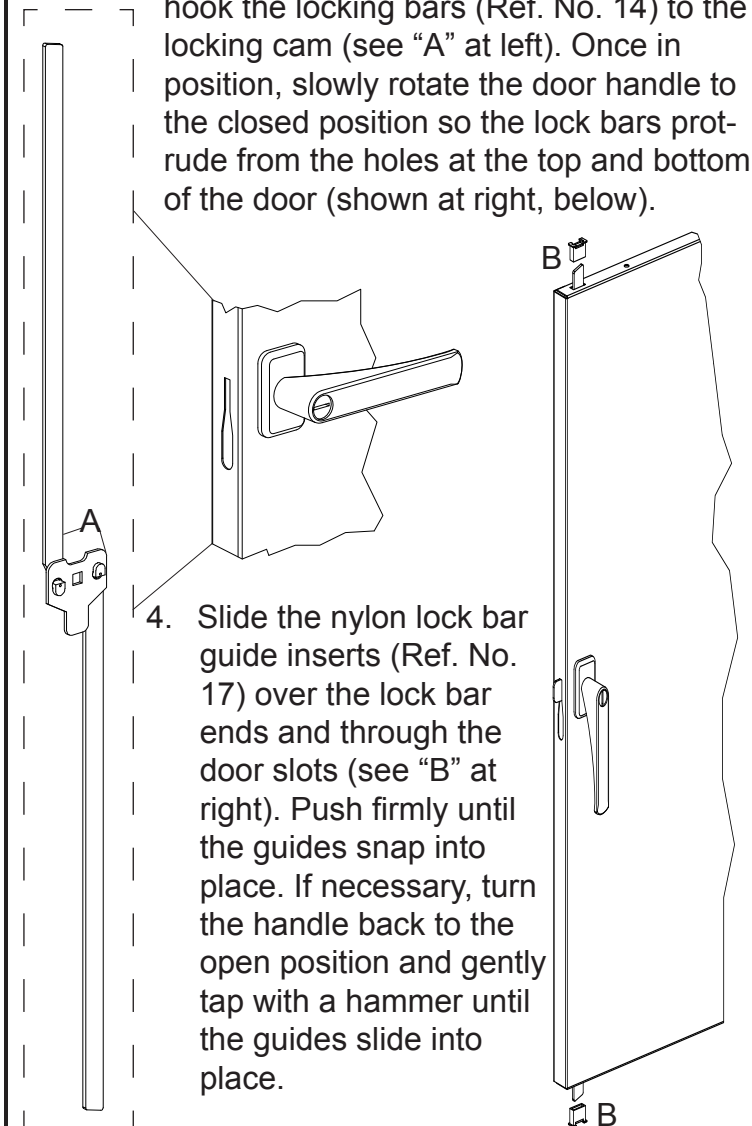


1. Place the locking handle (Ref. No. 15) on the right hand door and fasten with two #8-32 X 1/4 slotted hex-head bolts and lock washers (Ref. No. 20).

2. Turn the handle to the open position and place the locking cam (Ref. No. 16) over the square shank of the door handle. The latch must be facing downward as shown. Then place the locking cotter pin (Ref. No. 18) through the hole of the square shank.



3. With the handle still in the open position, hook the locking bars (Ref. No. 14) to the locking cam (see "A" at left). Once in position, slowly rotate the door handle to the closed position so the lock bars protrude from the holes at the top and bottom of the door (shown at right, below).



4. Slide the nylon lock bar guide inserts (Ref. No. 17) over the lock bar ends and through the door slots (see "B" at right). Push firmly until the guides snap into place. If necessary, turn the handle back to the open position and gently tap with a hammer until the guides slide into place.