



TENNSCO STORAGE CABINET Model 1442

Tennsco Corp., Dickson, TN 37056-1888 • (615) 446-8000

RETAIN INSTRUCTIONS FOR FUTURE REFERENCE!



Congratulations on your purchase of a Tennsco Storage Cabinet! Tennsco's 1442 units are general purpose desk high storage cabinets that provide a level of quality you won't find elsewhere. They provide secure storage for office supplies, books, records, small parts, tools, etc.

The 1442 offers three openings with two adjustable shelves, a locking chrome handle with

two keys, and a three-point locking system for extra security.

Tennsco's cabinets are constructed from top quality 20 to 24 gauge steel, with 20 gauge steel shelves offering weight capacities of 150 lbs. per shelf (evenly distributed). Our attractive and durable powder-coated paint finish will provide for years of service.

GENERAL SAFETY INFORMATION: Some parts may have sharp edges. CARE must be taken when handling various pieces to avoid injury. For safety, wear a pair of work gloves when assembling or performing any maintenance on your cabinet.

LIMITED WARRANTY

Tennsco warrants goods purchased hereunder to be free of defects in materials and workmanship for a period of one (1) year from the date of shipment, hereunder. This warranty shall not apply in the event goods are damaged as a result of misuse, abuse, neglect, accident, improper application, modification or repair by persons not authorized by Seller, where goods are damaged during shipment, or where the date stamps on the goods have been defaced, modified or removed. UNLESS CONSIDERED UNENFORCEABLE OR UNLAWFUL UNDER APPLICABLE LAW:

- a. ALL IMPLIED WARRANTIES, INCLUDING BUT NOT LIMITED TO WARRANTIES OR MERCHANTABILITY AND FITNESS FOR A PARTICULAR PURPOSE ARE HEREBY EXCLUDED:
- b. BUYERS REMEDY, IF ANY, FOR ANY DEFECTIVE GOODS SHALL BE LIMITED TO A REFUND BY SELLER OR REPLACEMENT OF THE GOODS AT SELLER'S OPTION, AND SHALL IN NO EVENT INCLUDE DAMAGES OF ANY KIND, WHETHER INCIDENTAL, CONSEQUENTIAL OR OTHERWISE.

NO GOODS ACCEPTED FOR RETURN WITHOUT PRIOR APPROVAL. Seller shall have the right to inspect any goods claimed to be defective at Buyer's place of business or require Buyer to return the goods to Seller for inspection on Seller's premises. Transportation charges covering returned goods will be borne by Seller only if such goods are proven to be defective, are covered by this warranty and are returned within the warranty period stated above.

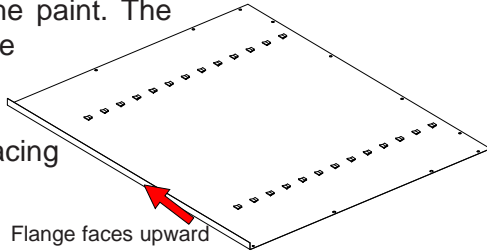
TENNSCO Corp., P.O. BOX 1888, DICKSON, TN 37056-1888
(615) 446-8000 or (866) 446-8686 (toll free)
Website: www.tennsco.com E-mail: Info@tennsco.com

INSTALLATION OF 1442 CABINET

Tools Needed: A free 1^{1/32}" nut driver is provided with each Tennsco cabinet (Ref. No. 16). In addition, you will need a flathead screwdriver. A hammer is required to install the hinge pin. Two people recommended for assembly. Approximate assembly time: 15 to 25 minutes.

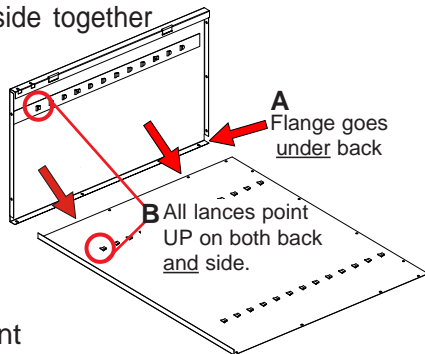
1. The reference numbers used throughout this sheet refer to the illustration on the back cover. This is to help you to identify the various parts as they are mentioned.

2. Place the cabinet back (Ref. No. 1) on a protected surface to prevent scratching the paint. The flange on the bottom of the back should be facing upward.

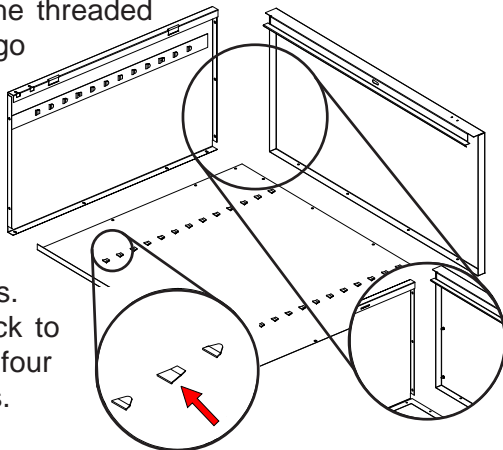


NOTE: When bolting the unit together, leave the bolts slightly loose until Step 8, unless otherwise specified.

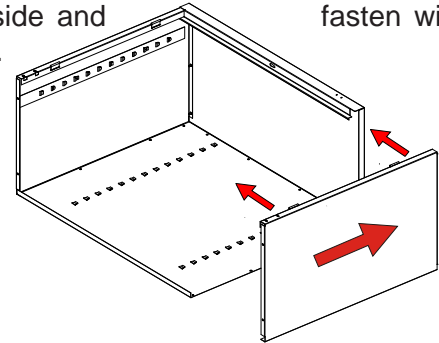
3. Attach the left side (Ref. No. 2) to the back by placing flange (A) around the back and bolting the back and side together with four bolts and nuts (Ref. Nos. 17 & 18). Be sure that the lances on all shelf adjustment strips (B) point in the same direction.



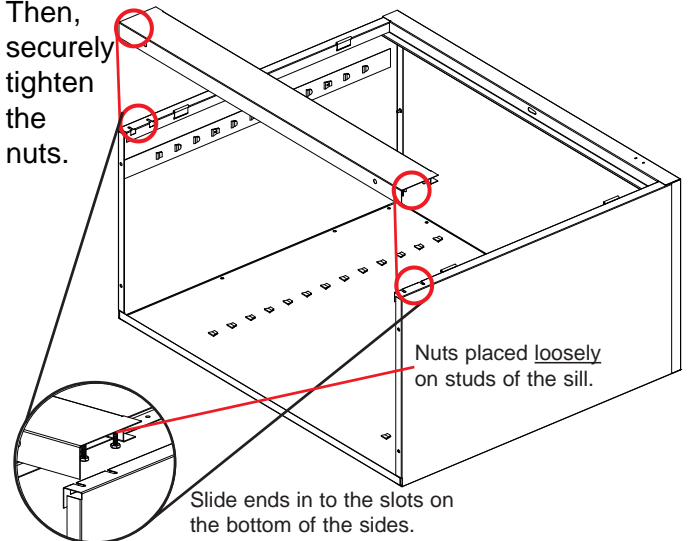
4. Attach the top (Ref. No. 7) to the unit by sliding the outer flange over the back of the unit and the side flange to the side panel on the unit. The threaded studs should go through the holes in the top flange of the side and fasten with three nuts. Attach the back to the top using four bolts and nuts.



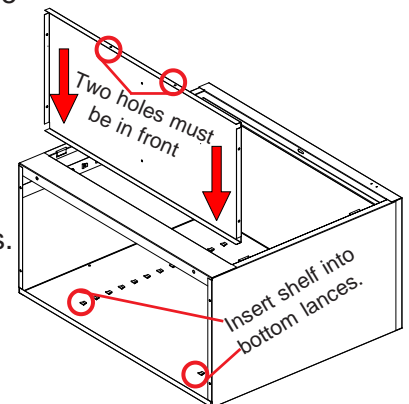
5. Attach the right side (Ref. No. 3) to the back in the same manner as you did in step 3, again making sure that the flange is around the back and that the lances on the shelf adjustment strips are pointed in the same direction as those on the back and left side. Push the side panel up so the studs in the top go through the holes in the top flange of side and fasten with three nuts.



6. Attach the sill (Ref. No. 5) to the sides. Place nut loosely on each of the studs and slide the ends of the sill into the slots on both sides of the unit. Then, securely tighten the nuts.

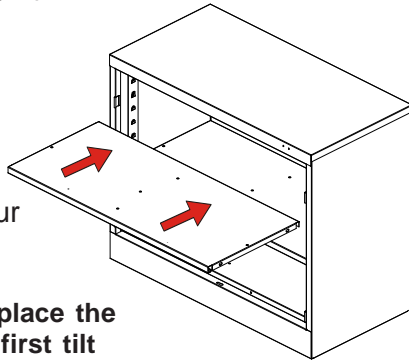


7. Place rear flange of the bottom (Ref. No. 6) into the bottom lances of the back. The flange with two holes should face the front, hanging over the sill. Insert bolts through the bottom and sill with the head facing the front of the unit. Secure with two nuts.

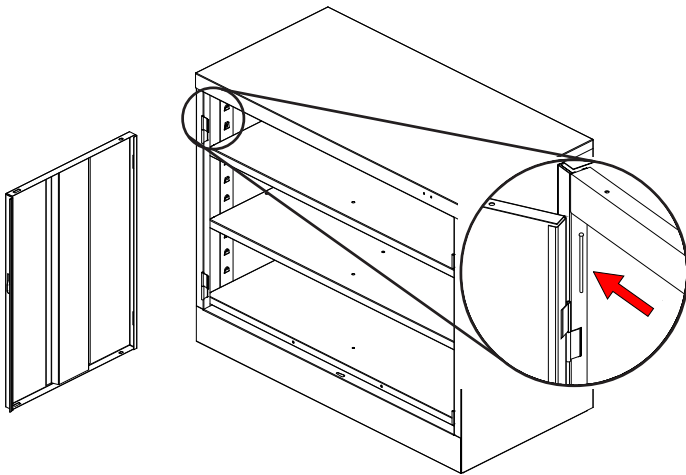


8. Set the unit upright and tighten all nuts and bolts around the entire unit.

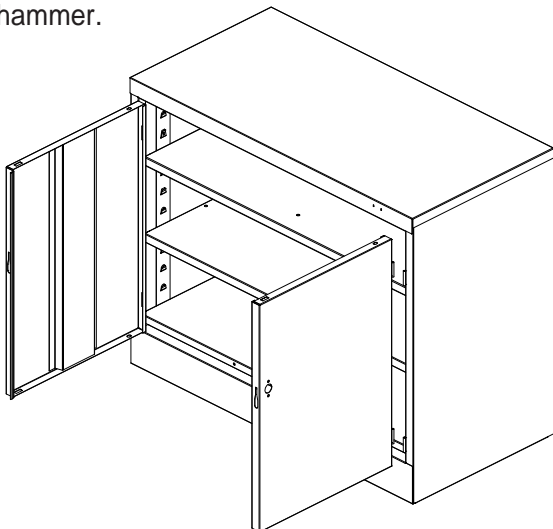
9. Insert the shelves (Ref. No. 4) at your desired levels.



NOTE: In order to place the shelves, you must first tilt the shelf slightly to the left or right before inserting into the unit.

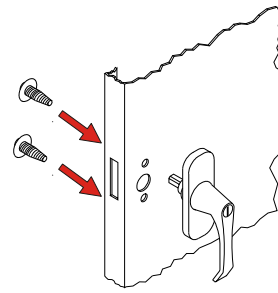


10. Attach the left door (Ref. No. 8) to the unit by placing the door on the hinges, aligning the hinge holes, dropping the pins into the slots, then placing the flat end of a screwdriver on the hinge pins (Ref. No. 15) and tapping them in with a hammer.



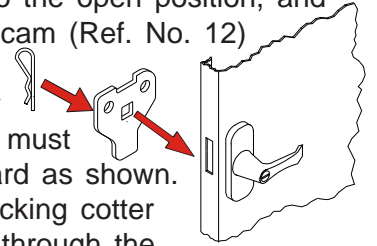
11. Attach the right door (Ref. No. 9) to the unit in the same way you attached the left door.

Handle/Locking System Installation

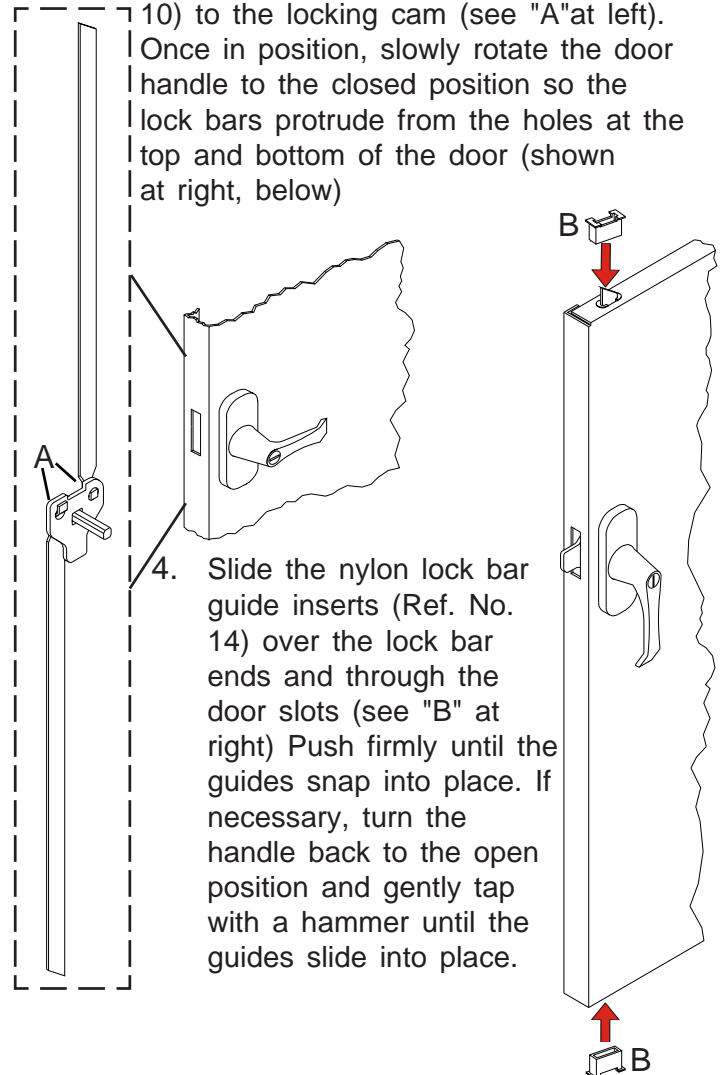


1. Place the locking handle (Ref. No. 11) on the right hand door and fasten with two #8-32 X 1/4 slotted hex-head bolts and lockwashers (Ref. No. 17).

2. Turn the handle to the open position, and place the locking cam (Ref. No. 12) over the square shank of the door handle. The latch must be facing downward as shown. Then place the locking cotter pin (Ref. No. 13) through the hole of the square shank.

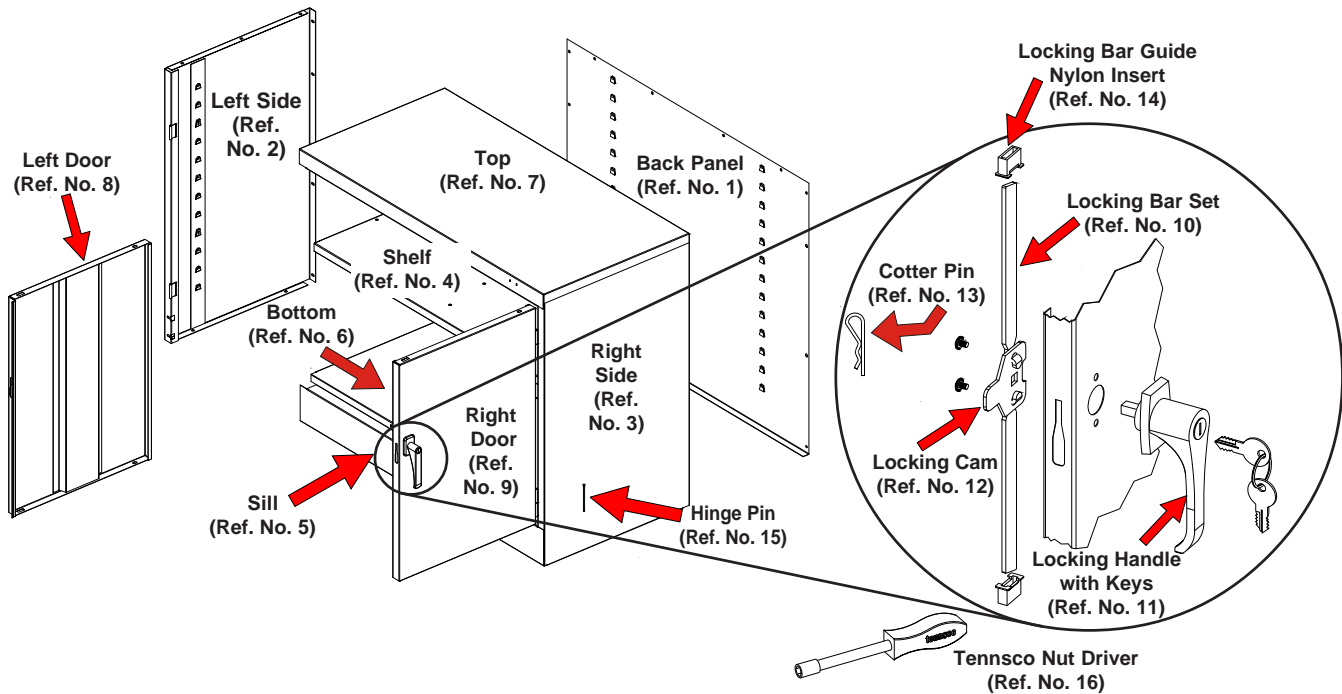


3. With the handle still in the open position, hook the locking bars (Ref. No. 10) to the locking cam (see "A" at left). Once in position, slowly rotate the door handle to the closed position so the lock bars protrude from the holes at the top and bottom of the door (shown at right, below)



4. Slide the nylon lock bar guide inserts (Ref. No. 14) over the lock bar ends and through the door slots (see "B" at right) Push firmly until the guides snap into place. If necessary, turn the handle back to the open position and gently tap with a hammer until the guides slide into place.

REPLACEMENT PARTS



REF. NO.	DESCRIPTION	QTY.	PART NO.
1	Back panel	1	978BAS
2	Left side	1	978LSS
3	Right side	1	978RSS
4	Shelf	2	301
5	Sill	1	944SS
6	Bottom	1	944BO
7	Top	1	978CTS
8	Left door	1	086LD
9	Right door	1	086RD
10	Locking bar set	1	086LB
11	Locking handle w/keys & hardware	1	944LH
12	Locking cam*	1	944LC
13	Cotter Pin*	1	CTPRN
14	Locking bar guide insert (nylon)*	2	944GI
15	Hinge pin*	6	944HP
16	Tensco nut driver*	1	TOOL-2
17	#8-32 x 3/8"bolts*	14	AVAILABLE LOCALLY
18	#8-32 nuts*	24	AVAILABLE LOCALLY

*Included in Ref. No. 11, (locking handle with keys and hardware, Part No. 944LH).

Tensco makes every effort to ensure that all units ship complete with all parts and arrive undamaged. However, should your unit contain missing or damaged parts, replacements may be obtained directly from Tensco. To obtain proper replacement parts, follow the instructions below: (or fill out the form at www.tensco.com/replacement.cfm)

TO OBTAIN PROPER REPLACEMENT PARTS, PLEASE PROVIDE THE FOLLOWING INFORMATION:

- Model Number (1442)
- Description of part(s) needed and part number(s) as shown in Parts List (above)
- Color (i.e. Medium Grey, etc.)
- Was item missing, or was it damaged?
- Purchase Date
- Your company name
- Contact person's name
- Who the product was purchased from

Tensco Corp., P.O. Box 1888, Dickson, TN 37056-1888 Customer Service: (866) 446-8686 Fax: (866) 445-7260
If requesting parts by telephone, ask for customer service and have as much of the above information ready as possible.