



Vestil Manufacturing Co.

2999 North Wayne Street, P.O. Box 507, Angola, IN 46703

Telephone: (260) 665-7586 -or- Toll Free (800) 348-0868

Fax: (260) 665-1339

<http://www.vestilmfg.com/> e-mail: sales@vestil.com

PS-4045 Adjustable-Height Pallet Stand Use and Maintenance Manual



*Unit shown with optional caster kit.

Receiving instructions:

After delivery, IMMEDIATELY remove the packaging from the product in a manner that preserves the packaging and maintains the orientation of the product in the packaging; then inspect the product closely to determine whether it sustained damage during transport. **If damage is discovered during the inspection, immediately record a complete description of the damage on the bill of lading.** If the product is undamaged, discard the packaging.

NOTES:

- 1) Compliance with laws, regulations, codes, and non-voluntary standards enforced in the location where the product is used is exclusively the responsibility of the owner/end-user
- 2) VESTIL is **not liable** for any injury or property damage that occurs as a consequence of failing to apply either:
 - a) Instructions in this manual; or
 - b) information provided on labels affixed to the product.

Vestil is also not responsible for *any* consequential damages sustained as a result of failing to exercise sound judgment while assembling, installing, using or maintaining this product.

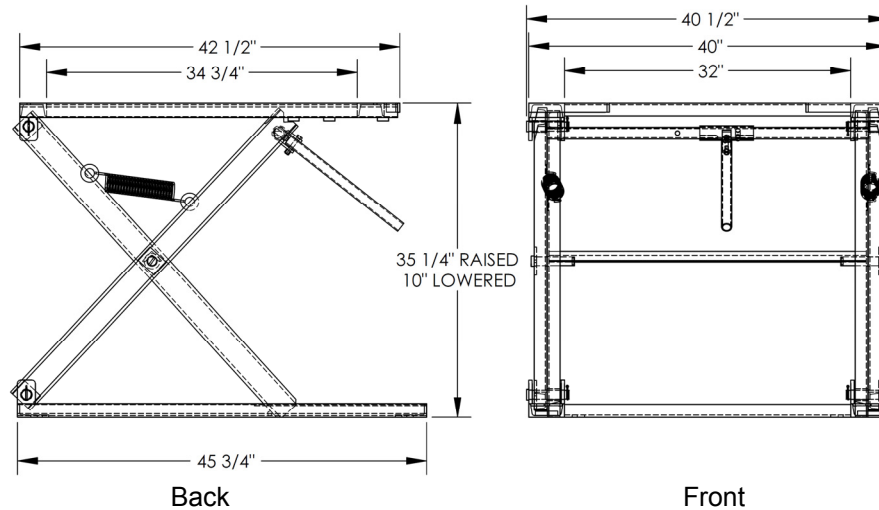
Table of Contents

Product Specifications.....	2
Spring Combinations (Diagrams & Load Table).....	2
Signal Words.....	2
Safe Use Recommendations.....	3
FIG. 1: PS-4045 exploded parts diagram and bill of materials.....	3
FIG. 2: PS-4045-CA exploded parts diagram and bill of materials.....	4
Height Adjustment.....	4
Loading & Unloading Instructions.....	4
FIG. 3: (Optional) PS-RF-CK caster kit exploded parts diagram and bill of materials.....	5
(Optional) Caster Kit Installation Instructions.....	5 - 6
Inspections & Maintenance.....	6
Labeling Diagram.....	7
Limited Warranty.....	8

Product specifications:

Dimensions and other product specifications appear in the diagrams and table below.

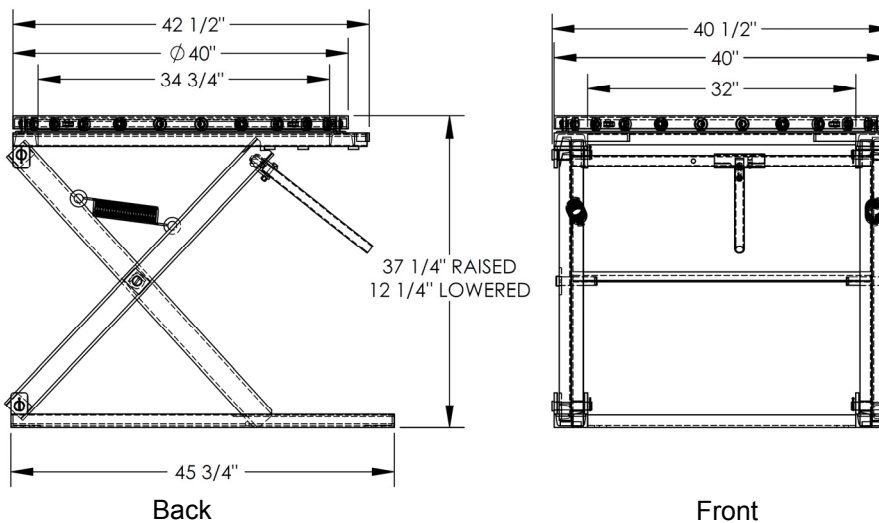
PS-4045:



Standard features:

Capacity	= 5,000 lb.
Capacity with caster kit installed	= 1,500 lb.
Net weight	= 253 lb.
Overall width	= 40 ¹ / ₂ "
Platform width	= 40"
Overall length	= 45 ³ / ₄ "
Platform length	= 42 ¹ / ₂ "
Maximum height setting	= 35 ¹ / ₄ "
Intermediate height setting	= 30 ¹ / ₂ "
Low height setting	= 20 ¹ / ₄ "
Fully lowered height	= 10"

PS-4045-CA:



Standard features:

Capacity	= 4,000 lb.
Capacity with caster kit installed	= 1,500 lb.
Net weight	= 312 lb.
Overall width	= 40 ¹ / ₂ "
Platform width	= 40"
Overall length	= 45 ³ / ₄ "
Platform length	= 42 ¹ / ₂ "
Maximum height setting	= 37 ¹ / ₄ "
Intermediate height setting	= 32 ³ / ₄ "
Low height setting	= 22 ¹ / ₄ "
Fully lowered height	= 12 ¹ / ₄ "

SIGNAL WORDS:

This manual uses SIGNAL WORDS to indicate the likelihood of personal injuries, as well as the probable seriousness of those injuries, if the product is misused in the ways described. Other signal words call attention to uses of the product likely cause property damage. The signal words used appear below along with the meaning of each word:



DANGER Identifies a hazardous situation which, if not avoided, WILL result in DEATH or SERIOUS INJURY. Use of this signal word is limited to the most extreme situations.



WARNING Identifies a hazardous situation which, if not avoided, COULD result in DEATH or SERIOUS INJURY.



CAUTION Indicates a hazardous situation which, if not avoided, COULD result in MINOR or MODERATE injury.



NOTICE Identifies practices likely to result in product/property damage, such as operation that might damage the product.

Each person who assembles, installs, uses, or maintains this product should read the entire manual in advance and fully understand the directions. If after reading the manual you do not understand an instruction, ask your supervisor or employer for clarification, because failure to adhere to the directions in this manual might result in serious personal injury.

Safe Use Recommendations:

We strive to identify all hazards associated with the use of our products. However, material handling is dangerous and no manual can address every risk. The end-user ultimately is responsible for exercising sound judgment at all times.

WARNING

Improper or careless operation of this table might result in serious personal injuries.

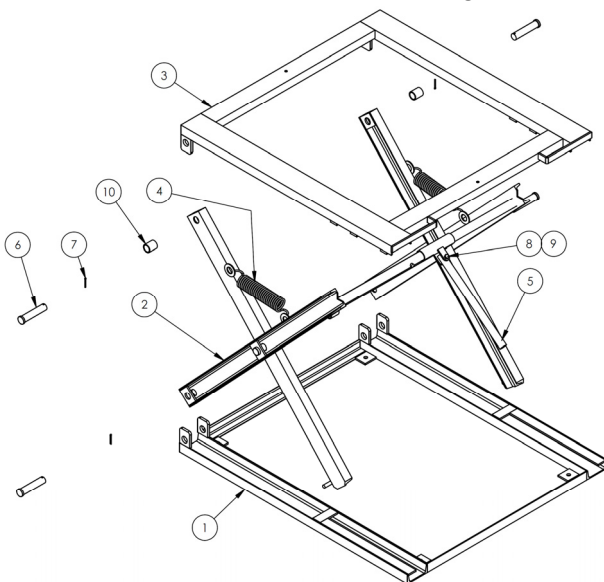
- **Failure to read and understand the entire manual before assembling, using or servicing the product constitutes misuse.** Read the manual whenever necessary to refresh your understanding of proper use and maintenance procedures.
- DO NOT install the stand outdoors or in corrosive environments. ONLY install this product on compacted, improved surfaces (e.g. concrete) that are level and even. The surface must be capable of easily supporting the combined weight of the stand and a full capacity load.
- DO NOT use the stand unless it is in normal operating condition. Inspect the unit as described in the inspection instructions on p. 6. DO NOT use the stand unless it passes every part of the appropriate inspection or until it is restored to normal operating condition.
- DO NOT use the pallet stand to lift people.
- DO NOT stand on or climb onto the stand.
- Always watch the stand carefully while applying a load to it.
- Avoid pinch points. Pinch points are created as the table rises and lowers do to the pivoting motion of the scissor legs. NEVER reach into or put any part of your body between the scissor legs.
- Always properly load the stand (see p. 4). Center and evenly distribute all loads applied to it. The top of the stand should not move as weight is applied to it. Watch for movement and listen for unusual noises. Remove the unit from service if you observe anything abnormal.
- DO NOT apply loads to this table on broken or damaged pallets. Examine each pallet before applying it to the stand to confirm that no nails protrude from the surfaces and that all boards are intact. A damaged/broken pallet might break while it is elevated on the stand. A damaged pallet could interfere with carousel rotation (stand model PS-4045-CA). A sudden stop while rotating the tabletop could cause the load to shift or fall.
- To remove a load from the stand, lift it enough that it clearly is no longer in contact with the top of the stand before backing away from the table.
- (Pallet stands equipped with caster kit option) If the stand must be moved, completely unload it first. Always lock both caster locks (see FIG. 3 on p. 5) whenever the stand is loaded or in storage.
- DO NOT leave loads applied to the stand for long periods of time.
- DO NOT use this stand UNLESS all labels are in place & readable (see "Labeling diagram" on p. 7.)
- DO NOT modify this product in any way without first receiving express, written authorization from Vestil. Modifying the unit without authorization automatically voids the limited warranty (see p. 8) and might make it unsafe to use.
- If repairs are necessary, ONLY install manufacturer-approved replacement parts.

NOTICE

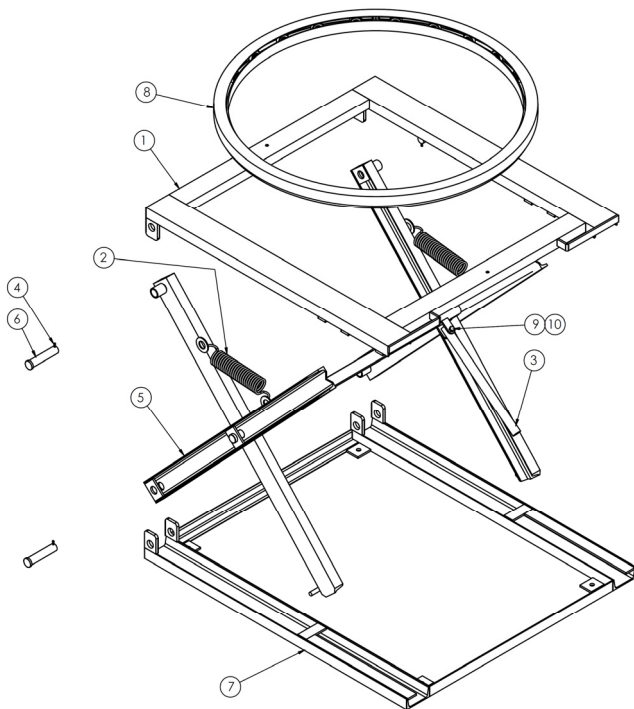
Proper use and maintenance are essential for this product to function properly.

- Always use this product in accordance with the instructions in this manual.
- Periodically lubricate moving parts and pivot points.
- Keep the product clean & dry at all times.
- Only use approved replacement parts. To order replacement/spare parts for this device, contact the factory.

FIG. 1: PS-4045 exploded parts diagram and bill of materials



Item no.	Part no.	Description	Quantity
1	15-514-012	Frame, base assembly	1
2	15-510-009	Scissor legs, subassembly	1
3	15-514-011	Frame, tabletop assembly	1
4	15-146-001	Spring	2
5	15-025-002	Handle, height adjustment	1
6	33-112-023	Pin, axle	4
7	65078	Extended prong cotter pin, zinc finish, 1/8" x 1 1/2"	4
8	11112	3/8" - 16 x 2 1/4" HHCS bolt	1
9	37024	3/8" - 16 grade 2 zinc finish lock nut	1
10	15-113-002	Spacer	4

FIG. 2: PS-4045-CA exploded parts diagram and bill of materials

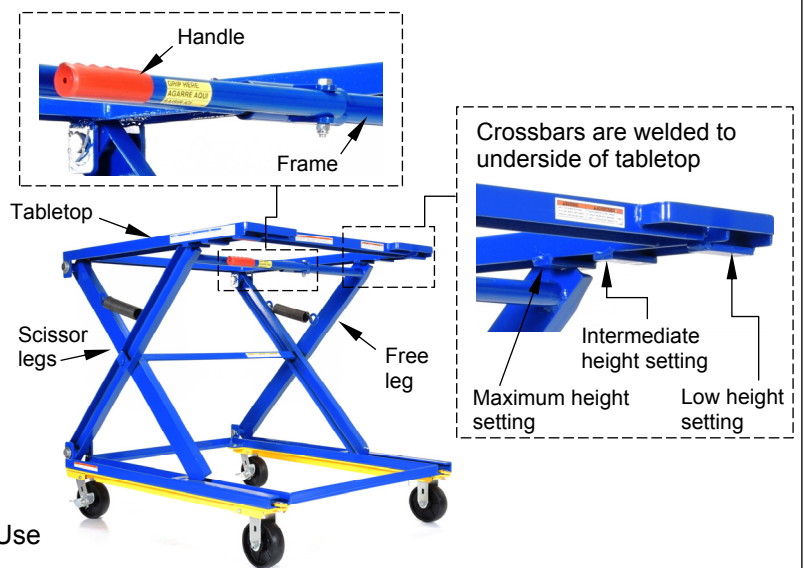
Item no.	Part no.	Description	Quantity
1	15-514-011	Frame, tabletop assembly	1
2	15-146-001	Spring	2
3	15-025-002	Handle, height adjustment	1
4	65078	Extended prong cotter pin, zinc finish, 1/8" x 1 1/2"	4
5	15-510-009	Scissor legs, subassembly	1
6	33-112-023	Pin, axle	4
7	15-514-012	Frame, base assembly	1
8	20-001-015	Carousel, assembly:	1
	20-514-015	a. Weldment, inner ring	1
	20-013-022	b. Deck, outer retaining ring	1
	20-110-006	c. Roller bearing	1
	68083	d. E-clip, steel, for 5/8" shaft	1
9	11112	3/8" - 16 x 2 1/4" HHCS bolt	1
10	37024	3/8" - 16 grade 2 zinc finish lock nut	1
11	15-113-002	Spacer	4

Height Adjustment:

⚠ WARNING DO NOT attempt to adjust the height of the tabletop while the stand is loaded. Always completely unload the stand before adjusting the height.

PS-4045 series pallet stands can be adjusted between 4 configurations: 1) fully lowered (for storage only); 2) Low height setting; 3) Intermediate height setting; and 4) Maximum height setting. To adjust the height of the tabletop, grab the red handle grip and pivot the handle until it is perpendicular to the frame. While continuing to hold the handle, lift the tabletop. Use the handle to adjust the position of the scissor legs as necessary; then lower the tabletop. There are triangular notches in the tops of the free legs. The selected adjustment cross bars must seat into the notches in the free legs. When the adjustment is finished, rotate the handle until it lies against the frame (as shown in photo).

To put the stand into the fully lowered/storage configuration, hold the handle and lift the tabletop. Use the handle to lower the legs to the base frame.

**Loading & Unloading Instructions:**

Before applying a palletized load to the stand, make sure that the load is centered on the pallet. Gently apply the pallet to the top of the stand. Center the pallet on the top of the stand. Neither the pallet nor the load should overhang the top of the stand.

Be cautious whenever removing a loaded pallet from the stand. Insert the forks of your lift truck through the pallet and slowly raise them. Continue to raise the forks until the top of the stand is several inches below the bottom of the pallet before backing away from the table.

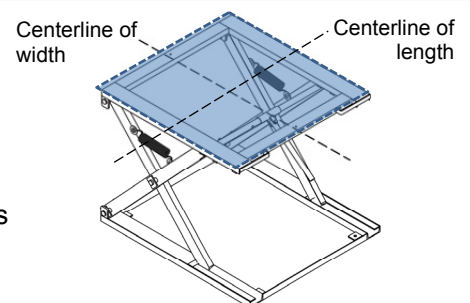
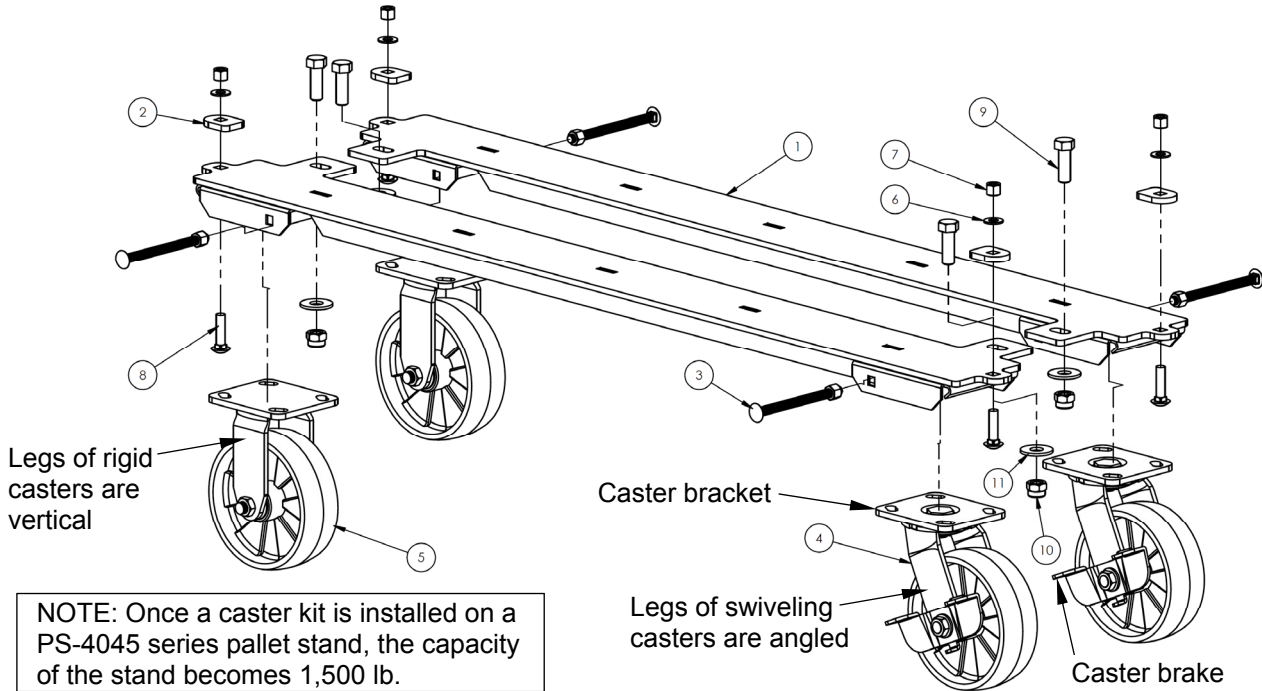


FIG. 3: (Optional) PS-RF-CK caster kit exploded parts diagram and bill of materials

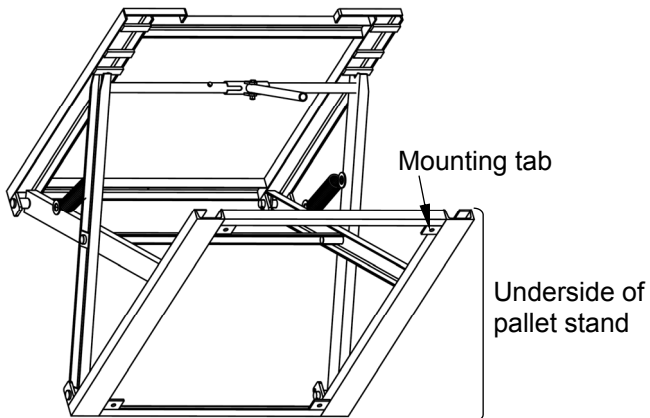


Item no.	Part no.	Description	Quantity	Item no.	Part no.	Description	Quantity
1	15-516-025	Weldment, bracket, caster	2	7	37024	$\frac{3}{8}$ " - 16 grade 2 zinc finish lock nut	4
2	15-016-158	Bracket, caster clamp	4	8	21819	$\frac{3}{8}$ " - 16 x $1\frac{1}{2}$ " zinc-plated carriage bolt	4
3	99-612-001	Bolt and nut combo. $\frac{3}{8}$ " - 16 x 5" carriage bolt $\frac{3}{8}$ " - 16 nut	4	9	11209	$\frac{1}{2}$ " - 16 x $1\frac{1}{2}$ " HHCS #2 zinc-plated hex head bolt	4
4	16-132-261	6" x 2" glass filled nylon swivel caster with brake	2	10	37030	$\frac{1}{2}$ " - 13 lock nut	4
5	16-132-263	6" x 2" glass filled nylon rigid caster	2	11	33012	$\frac{1}{2}$ " zinc finish, low carbon flat washer	4
6	33008	$\frac{3}{8}$ " USS zinc-finish flat washer	4				

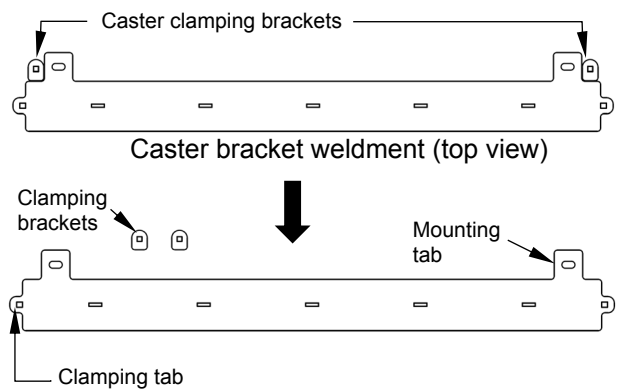
(Optional) Caster Kit Installation Instructions:

Refer to FIG. 3 above for parts identifications. Numbers in parentheses correspond to item numbers in the table above.

1. To install the optional caster kit, first lower the tabletop completely to put the pallet stand into the collapsed/storage configuration. Then, overturn the stand so that the bottom of the frame is facing upwards.



2. When you receive the caster kit, the caster clamping brackets (2) will still be attached to the caster bracket weldment (1). Use a pair of pliers to bend the mounting brackets back and forth until they snap off of the weldments.

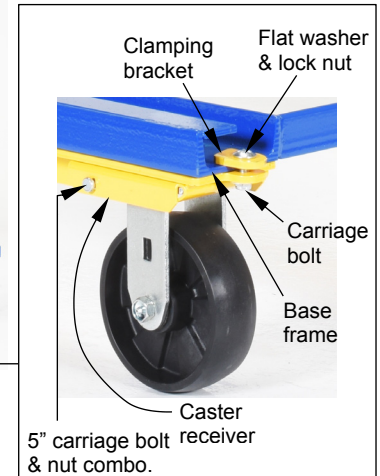
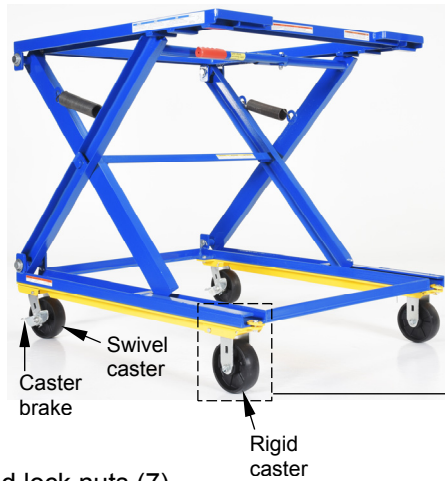


3. Fasten the weldments (2) to the bottom of the pallet stand.

- a. Align the mounting tabs on the underside of the stand with the mounting tabs on the caster bracket weldments.
- b. Then, insert hex head bolts (9) through the tabs and secure the bolts with flat washers and lock nuts (10 & 11).

4. Attach the clamping brackets.

- a. Insert 1½" carriage bolts up through each clamping tabs (see Step 2 on p. 5) of both caster weldments (1).
- b. Put a clamping bracket onto the end of each bolt. The flat end of the brackets should overlap the base frame.
- c. Secure the bolts with flat washers (6) and lock nuts (7).



5. Attach the casters.

- a. Install the caster bracket of a caster into each of the 4 caster receivers as diagrammed above (swivel casters in back; rigid casters in front).
- b. Insert a 5" carriage bolt (3) bolt through the bolts holes in each of the caster receivers. Tighten the corresponding lock nut on the end of the bolt to secure the caster inside its receiver.

Inspections & Maintenance:

If any of the inspections described below reveal problems with the stand, remove it from service and tag it "Out of Service". Restore the unit to normal operating condition BEFORE using it again.

A. Before each use, inspect the following components. Each component must be in normal operating condition. To establish normal operating condition, make a thorough record of the appearance of the various parts of the stand when you first receive it. Compare later observations to this record to determine whether the machine is in normal operating condition.

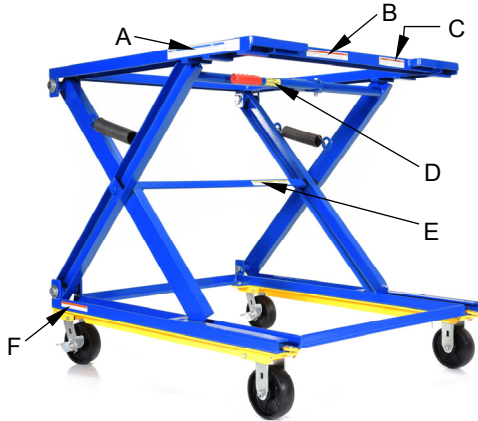
1. Frame: examine the base, scissor legs, tabletop, and carousel (if equipped with this option). Look for damaged welds, warps, cracks, or other deformations.
2. Casters (only units equipped with caster kit option PS-RF-CK): examine each caster. Confirm that casters are not severely worn, that the wheels rotate freely, that both swivel casters swivel properly, and that the brakes firmly engage the wheels.
3. Springs: The springs should stretch uniformly and equally, and should resist movement of the legs. Apply the load/pallet to the stand. Listen for unusual sounds and watch for unusual movement. If you notice anything atypical, unload the stand and determine the cause of the issue.
4. Fasteners: check nuts and bolts. Make sure all fasteners are tightly connected.
5. Roller bearings (only units equipped with carousel option): rotate the carousel. Watch and listen to the carousel as it rotates. If unusual noise is produced, or if the carousel binds, wobbles, or lurches, remove it and examine the roller bearings. Rotate each bearing to determine if it requires lubrication. Replace all bearings that are significantly worn. Clean the underside of the carriage where the bearings make contact with it to remove debris that might interfere with bearing movement.

B. At least once per month:

1. Clean the entire stand: remove dirt and other matter from all surfaces.
2. Labels: refer to the "Labeling Diagram" on p. 7. Make sure that all labels are in place, undamaged, and readable.

Labeling diagram:

The table should always be labeled as shown in the diagram below. Replace all labels that become damaged or unreadable.



A: Label 261

NOTICE	NOTA	AVIS	
OPERATING INSTRUCTIONS To adjust height engage handle bar and lift on either lifting handle to engage positive locking device.	INSTRUCCIONES DE OPERACIÓN Para ajustar la altura encaje la barra de manejo y eleve la barra de elevación para que el sistema de cierre se encaje.	INSTRUCTIONS DE FONCTIONNEMENT Pour ajuster la hauteur, engager la barre de manœuvre et soulever une ou l'autre des poignées d'élévation afin d'engager le blocage de sécurité.	

B: Label 658

⚠ WARNING	⚠ ADVERTENCIA	⚠ AVERTISSEMENT
Do not operate or move with unstable loads DO NOT LOAD beyond rated capacity DISTRIBUTE LOAD EVENLY DO NOT sit or ride	No use a mueva con cargas inestables No cargue mas de la capacidad tasada DISTRIBUYA LA CARGA A NIVEL NO SE SIENTE o vaya en el carro	Ne pas utiliser avec une charge instable NE PAS CHARGER au-delà du débit nominale DISTRIBUER la charge régulièrement NE PAS VOUS ASSEOIR OU VOUS PROMENER sur le chariot

C: Label 213

⚠ WARNING	⚠ ADVERTENCIA
Stand must be level and stable Do not load beyond rated capacity Center and Distribute load evenly	El soporte debe ser el nivel y estable No cargue más allá de la capacidad calculada El centro y Distribuye laod regularmente

D: Label 262

GRIP HERE
AGARRE AQUI
SAISIR ICI

E: Label 641

⚠ CAUTION	⚠ ATENCIÓN	⚠ ATTENTION
Capacity reduced to 1,500 lbs. when equipped with caster option. DO NOT move when loaded.	Capacidad reducida a 1,500 lbs. cuando equipado con la opcion de rueda. No mueva cuando este cargado.	Capacité réduite à 680 kg américaines quand équipée avec option de roulettes. NE PAS DÉPLACER chargée.

F: Label 204

⚠ WARNING	⚠ ADVERTENCIA	⚠ AVERTISSEMENT
SECURE FRAME TO FLOOR	ASEGURE EL BASTIDOR AL PISO	FIXER SOLIDEMENT LE CADRE AU PLANCHER

LIMITED WARRANTY

Vestil Manufacturing Corporation (“Vestil”) warrants this product to be free of defects in material and workmanship during the warranty period. Our warranty obligation is to provide a replacement for a defective original part if the part is covered by the warranty, after we receive a proper request from the warrantee (you) for warranty service.

Who may request service?

Only a warrantee may request service. *You are a warrantee if* you purchased the product from Vestil or from an authorized distributor AND Vestil has been fully paid.

What is an “original part”?

An original part is a part used to make the product as shipped to the warrantee.

What is a “proper request”?

A request for warranty service is proper if Vestil receives: 1) a photocopy of the Customer Invoice that displays the shipping date; AND 2) a written request for warranty service including your name and phone number. Send requests by any of the following methods:

<u>Mail</u>	<u>Fax</u>	<u>Email</u>
Vestil Manufacturing Corporation 2999 North Wayne Street, PO Box 507 Angola, IN 46703	(260) 665-1339 <u>Phone</u> (260) 665-7586	sales@vestil.com

In the written request, list the parts believed to be defective and include the address where replacements should be delivered.

What is covered under the warranty?

After Vestil receives your request for warranty service, an authorized representative will contact you to determine whether your claim is covered by the warranty. Before providing warranty service, Vestil may require you to send the entire product, or just the defective part or parts, to its facility in Angola, IN. The warranty covers defects in the following *original* dynamic components: motors, hydraulic pumps, electronic controllers, switches and cylinders. It also covers defects in *original* parts that wear under normal usage conditions (“wearing parts”), such as bearings, hoses, wheels, seals, brushes, and batteries.

How long is the warranty period?

The warranty period for original dynamic components is 90 days. For wearing parts, the warranty period is also 90 days. The warranty periods begin on the date when Vestil ships the product to the warrantee. If the product was purchased from an authorized distributor, the periods begin when the distributor ships the product. Vestil may, at its sole discretion, extend the warranty periods for products shipped from authorized distributors by *up to* 30 days to account for shipping time.

If a defective part is covered by the warranty, what will Vestil do to correct the problem?

Vestil will provide an appropriate replacement for any *covered* part. An authorized representative of Vestil will contact you to discuss your claim.

What is not covered by the warranty?

1. Labor;
2. Freight;
3. Occurrence of any of the following, which automatically voids the warranty:
 - Product misuse;
 - Negligent operation or repair;
 - Corrosion or use in corrosive environments;
 - Inadequate or improper maintenance;
 - Damage sustained during shipping;
 - Collisions or other incidental contacts causing damage to the product;
 - Unauthorized modifications: DO NOT modify the product IN ANY WAY without first receiving written authorization from Vestil. Modification(s) might make the product unsafe to use or might cause excessive and/or abnormal wear.

Do any other warranties apply to the product?

Vestil Manufacturing Corp. makes no other express warranties. All implied warranties are disclaimed to the extent allowed by law. Any implied warranty not disclaimed is limited in scope to the terms of this Limited Warranty.

