











Assembly Instructions MODEL NO.:SL7136DI

Bullet Desk

LO2/02-09

A	B	C	D	E	F	G	H
							
Cam Lock Pin 9Pcs+2Pcs	Cam Lock 9Pcs+2Pcs	Dowel 5Pcs+1Pcs	Glide 4Pcs	L-Bracket 2Pcs	Screw #4*1/2" 12Pcs+3Pcs	Screw #5*1/2" 4Pcs+1Pcs	DEEP CAMLOCK CAP 9Pcs+2Pcs

STEP1

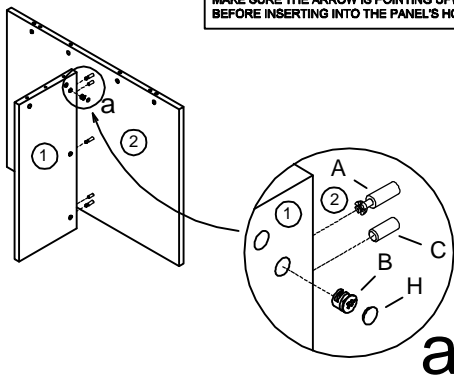
IMPORTANT:

FUNCTION OF CAM

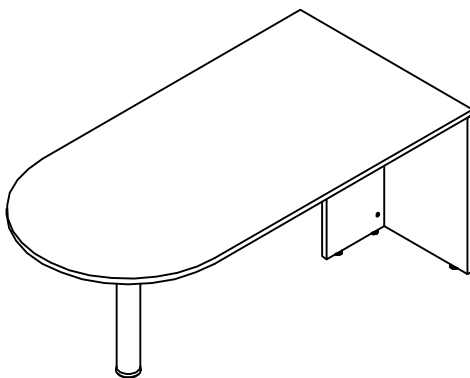
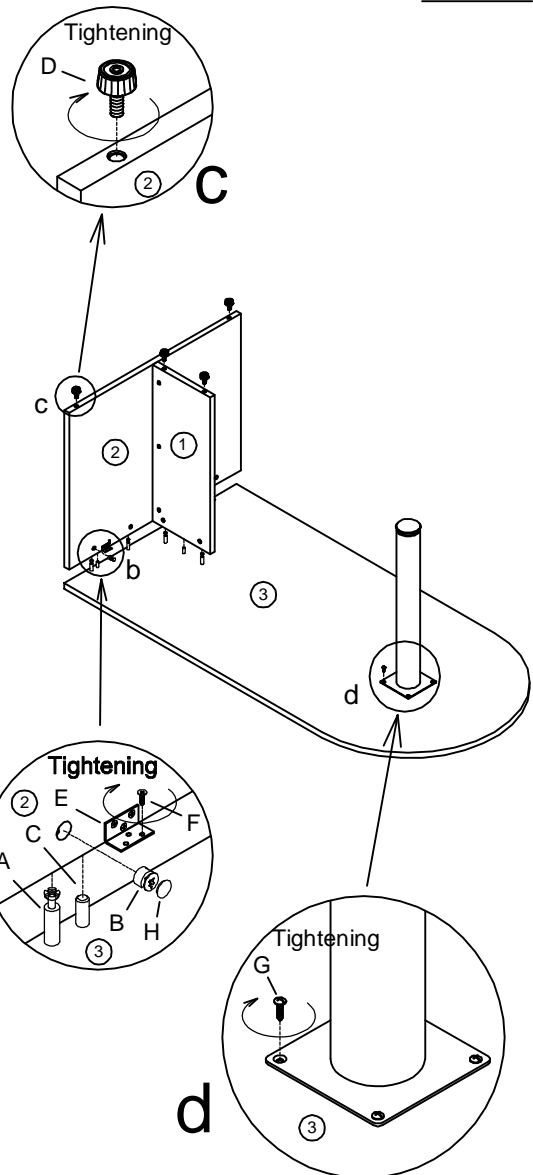


1/4 RIGHT
TURN FOR
LOCKING

MAKE SURE THE ARROW IS POINTING UPWARDS
BEFORE INSERTING INTO THE PANEL'S HOLE.



STEP2



COMPLETED ASSEMBLY

IMPORTANT NOTE:

- It is advisable to assemble unit on a carpet to avoid scratch.
- Check to be sure that you have all parts and hardware.
- Don't tighten all screws/bolts until all completely assembled.
- It is recommended to require 2 persons to complete the assembling.