








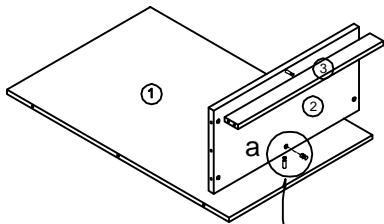


# Assembly Instructions MODEL NO.:SL48BC BOOKCASE

LO2/02-09

CONC10	CONC11	DOWEL	GLIDE	TUN020SD	PLASTIC CAP	PLASTIC CAP
<b>A</b>  Cam Lock Pin 18Pcs+2Pcs	<b>B</b>  Cam Lock 18Pcs+2Pcs	<b>C</b>  Dowel 12Pcs+2Pcs	<b>D</b>  Glide 4Pcs	<b>E</b>  Shelf dowel 8Pcs+2Pcs	<b>F</b>  DEEP CAMLOCK CAP 9Pcs+1Pcs	<b>G</b>  CAMLOCK CAP 9Pcs+1Pcs

## STEP1



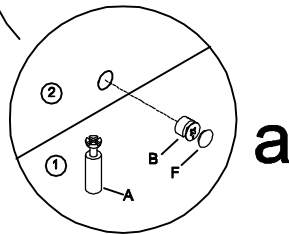
**IMPORTANT:**

**FUNCTION OF CAM**

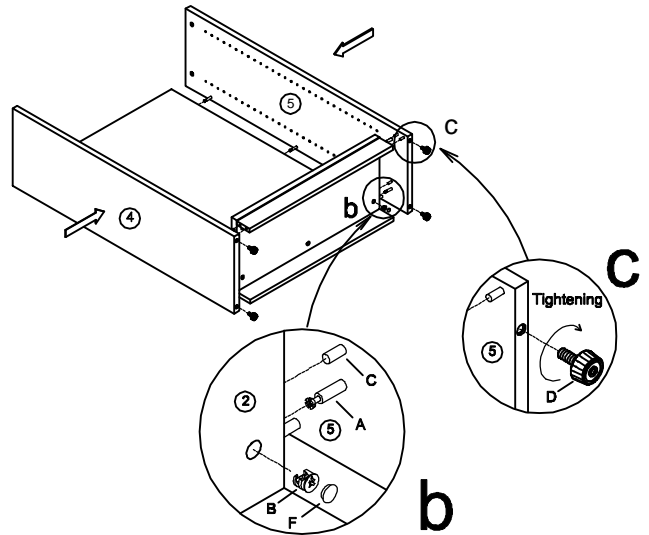


**1/4 RIGHT  
TURN FOR  
LOCKING**

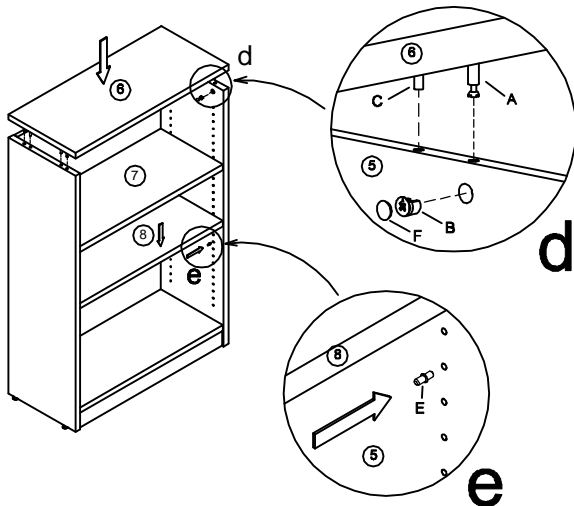
**MAKE SURE THE ARROW IS POINTING UPWARDS  
BEFORE INSERTING INTO THE PANEL'S HOLE.**



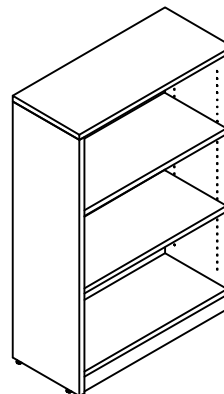
## STEP2



## STEP3



## COMPLETED ASSEMBLY



**IMPORTANT NOTE:**

- It is advisable to assemble unit on a carpet to avoid scratch.
- Check to be sure that you have all parts and hardware.
- Don't tighten all screws/bolts until all completely assembled.
- It is recommended to require 2 persons to complete the assembling.