








Assembly Instructions

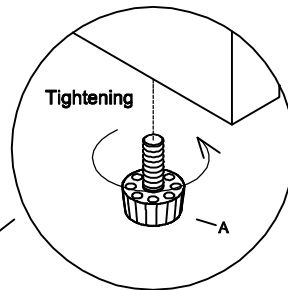
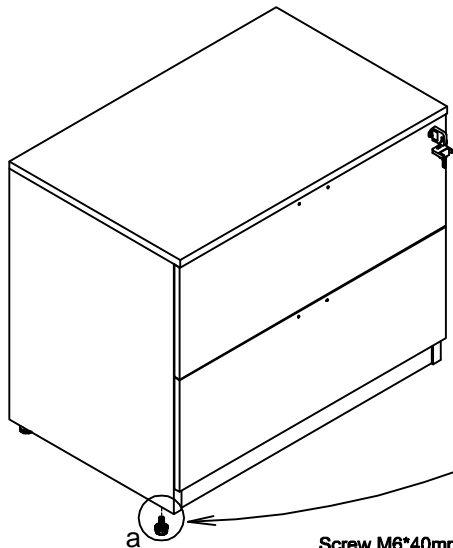
MODEL NO.:SL3622LF

2 DRAWER LATERAL FILE

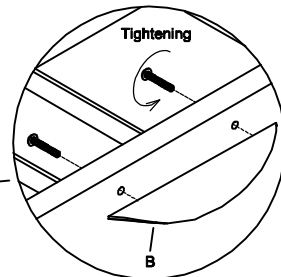
LO2/02-09

GLIDE	HANDLE	TUN001FC	LONG LF BAR	SHORT LF BAR	TUN027SC	KEYS
A  Glide 4Pcs	B  96mm Metal Handle 2Sets	C  File Clip 8Pcs	D  792*15*3mm Aluminium Bar 2Pcs	E  378*15*3mm Aluminium Bar 4Pcs	F  Screw M6*40mm 6Pcs	 Keys 1Set

STEP1



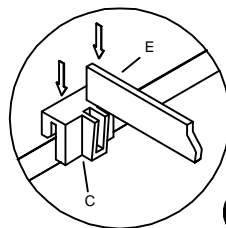
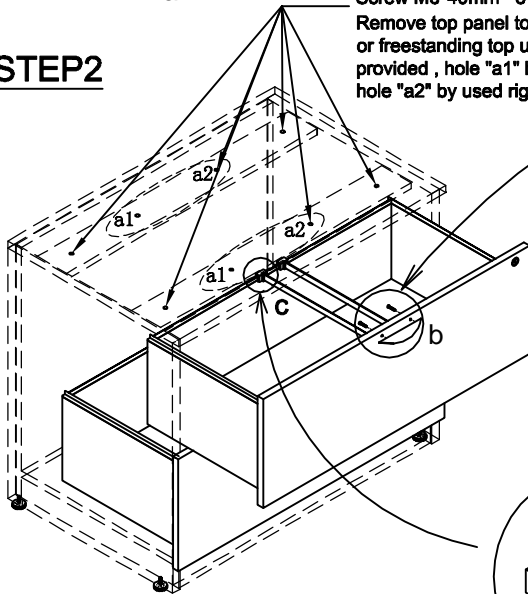
a



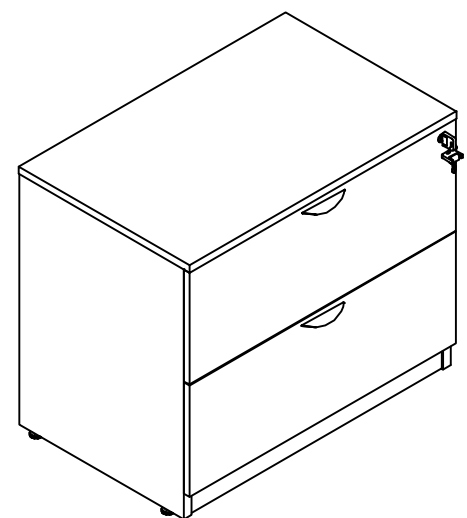
b

STEP2

Screw M6*40mm 6 Pcs
Remove top panel to attach to top of shell or freestanding top use 6(F) screws provided, hole "a1" by used left side, hole "a2" by used right side.



C



COMPLETELY ASSEMBLED

IMPORTANT NOTE:

- It is advisable to assemble unit on a carpet to avoid scratch.
- Check to be sure that you have all parts and hardware.
- Don't tighten all screws/bolts until all completely assembled.
- It is recommended to require 2 persons to complete the assembling.