

## **WARNING**

1. Use this product only one person at a time.
2. Do not use this chair unless all bolts screws and knobs are securely tightened.
3. Check that all bolts, screws and knobs are tight every three months or as needed.
4. Dispose of packing material properly. Do not use plastic cover as head covering. It may cause suffocation.
5. Do not use chair as a stepladder.
6. Use this chair for its intended purpose only.
7. Use mild detergent only for cleaning.

## **PROLINE II LIMITED WARRANTY**

ProLine II chairs are warranted from the date of purchase against failure due to material and workmanship as follows:

- Lifetime on component parts including pneumatic cylinder, control mechanism, base and casters.
- 3 Years on upholstery fabric and foam against wear and deterioration.
- Leather is not warranted against routine scratching and scuffing, as leather is subject to minor blemishes in use.

To make a warranty claim, contact Parts Department. Provide model number, proof of purchase, description of the problem and obtain return authorization. At it's option Office Star Products will:

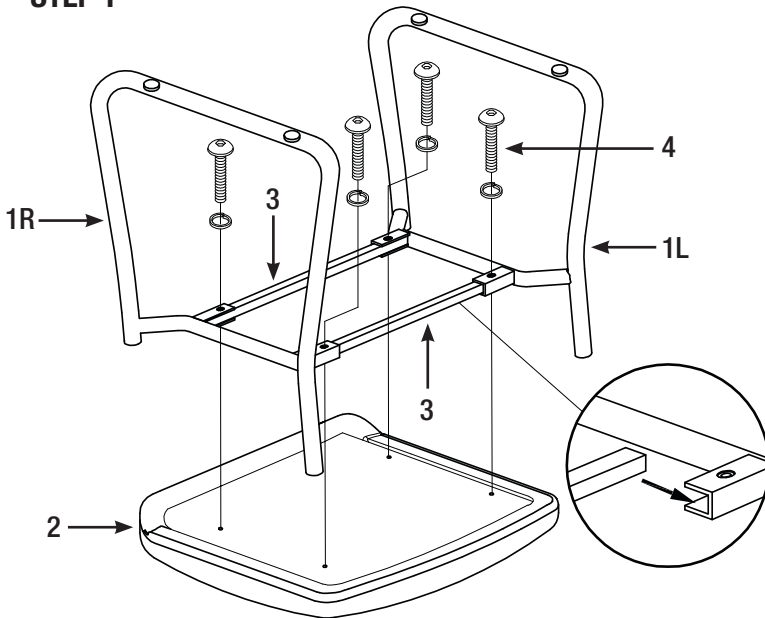
- (a) Supply compatible components of current manufacture.
- (b) Repair the customer's component. The customer must prepay freight on any components returned to the factory. Return freight on components still in warranty will be paid by Office Star Products.

*\*All warranties are limited to the original purchaser for normal commercial usage defined as a standard forty hour work week by persons weighing 250 lbs. or less. The 54666 is for persons weighing 300 lbs. or less. The 7103M, 7602R, 7605R, 7600R, 81108, 81308 & 81608 are for persons weighing 400 lbs. or less. This warranty will not cover labor, freight or damage from misuse, abuse, negligence, alteration, accident, vandalism, rusting, acts of nature or any other event beyond the control of Office Star Products. The warranty does not cover cosmetic damage that may result from normal Wuse. Liability for incidental or consequential damages is excluded. The user assumes all risk of injury resulting from use of this product. When usage is more than 40 hours per week, a five year warranty on all parts applies. Fabric is warranted for one year. This warranty gives you specific legal rights, and you may also have other rights which vary from state to state. **All ProLine II are built to meet or exceed ANSI BIFMA standards.***

**It is the customer's responsibility to prepay freight on any components returned to the factory. Return freight on components covered by warranty will be paid by Office Star Products.**

Our quality standards are among the highest in the industry. Sometimes, no matter how hard we try, there are times when parts are damaged or missing. Our Parts Department will do everything possible to promptly remedy the problem. Contact us via e-mail [parts.department@officestar.net](mailto:parts.department@officestar.net), by Fax 1-909-930-5629, or toll free parts number 1-800-950-7262, Monday through Friday 8:00 a.m. - 3:30pm. Pacific Time.

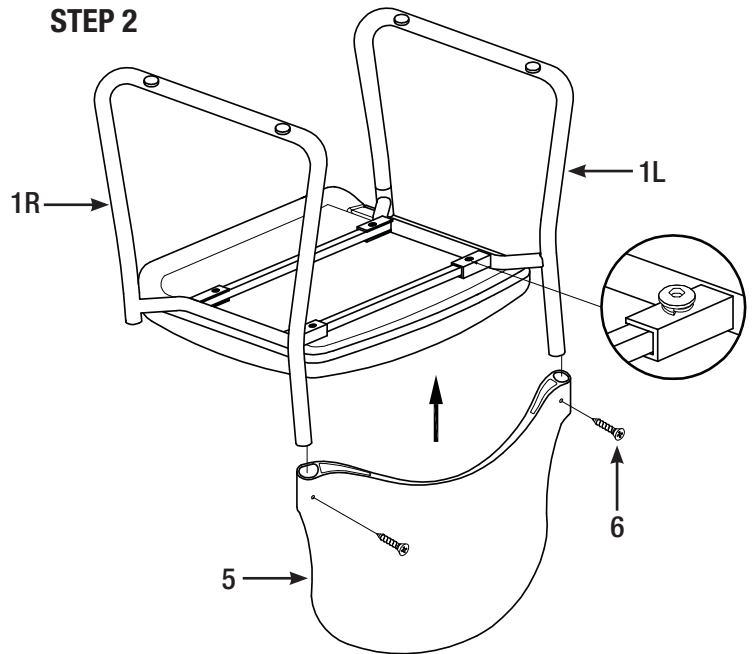
### STEP 1



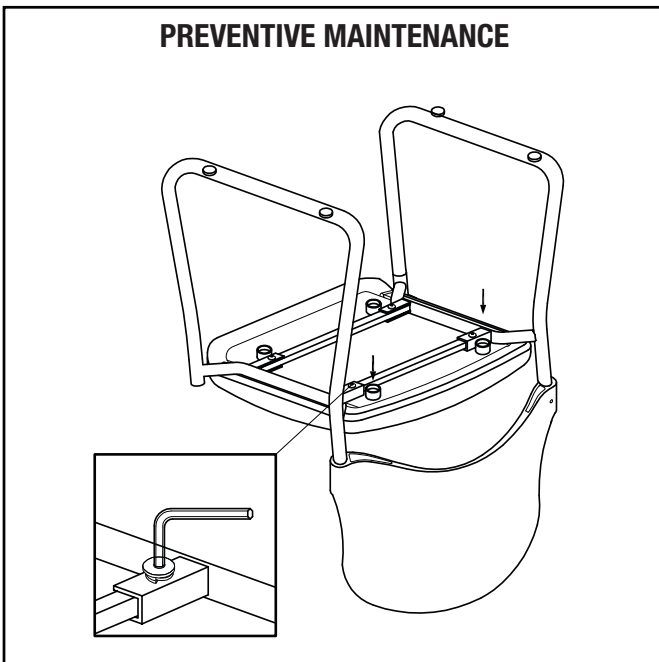
PART	QTY
1. Base Frame (1L & 1R) . . . . .	2
2. Seat . . . . .	1
3. Cross Brace . . . . .	2
4. Long Screws w/ Washers . . . . .	4
5. Backrest . . . . .	1
6. Short Screws . . . . .	2
7. Allen Wrench M5 (not shown) . . . . .	1

*Phillips screwdriver also needed for assembly  
(not provided)*

### STEP 2



### PREVENTIVE MAINTENANCE



**Remove all parts from carton, separate by part numbers indicated on parts list, and verify part quantities.**

**STEP 1** Attach both Cross Braces (3) between Base Frame (1L & 1R). Secure Base Frames (1L & 1R) and Cross Braces (3) to Seat (2) using four Long Screws w/ Washers (4). **DO NOT FULLY TIGHTEN SCREWS.**

**STEP 2** Slide Backrest (5) onto Base Frames (1L & 1R) and secure using two Short Screws (6). Carefully turn chair to the upright position.

**APPLY FIRM PRESSURE TO ALIGN & FULLY TIGHTEN ALL SCREWS.**

**PREVENTIVE MAINTENANCE:** Check that all screws are securely tightened every three months or as needed.

**ATTENTION: MAKE SURE ALL SCREWS ARE FULLY TIGHTENED BEFORE USING CHAIR.**