

Parts List and Diagram for Model 160 4-Wheel Drum Truck with Serial Number 1215 to _____



IMPORTANT NOTE

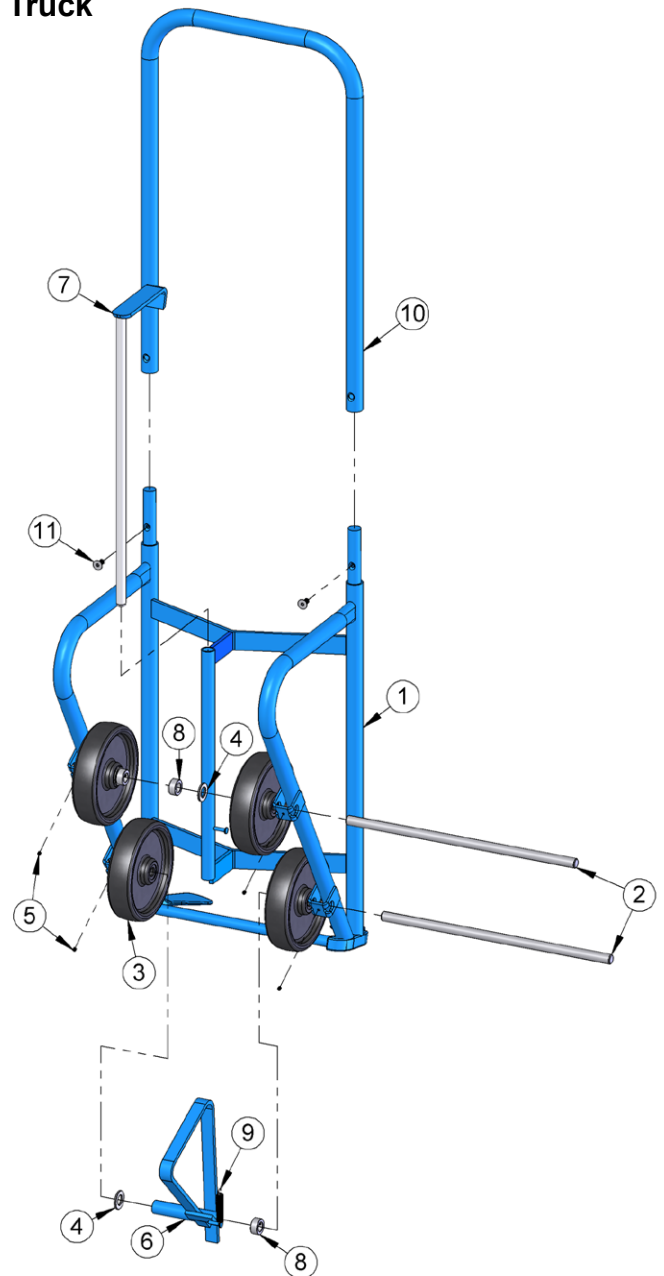
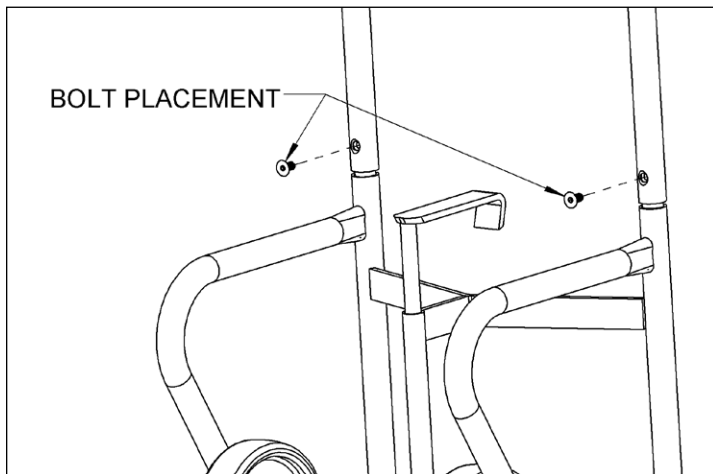
4-Digit serial numbers
are simply the month
& year of manufacture

Example: 0802 is
August 2002

For replacement parts, please
contact your Morse dealer.

When ordering parts, please
specify:

- Part number and
description
- Model number



ITEM NO.	PART NUMBER	DESCRIPTION	QTY.
1	5435W-P	BASE WELD, 160 KD	1
2	1355-P	AXLE, 19.75", 160	2
3	87-P	WHEEL, MORTUF, 8", 3/4" BRG	4
4	55-P	WASHER, 3/4 SAE FL 1-1/2 OD	4
5	1000-P	SET SCREW, 1/4 - 20 X 1/4	4
6	1369-P	STAND WELD, 160	1
7	5941-P	HOOK WELD, 160	1
8	15-P	COLLAR, 3/4" ID	4
9	1114-P	SPRING, EXTENSION, 160	1
10	5434-P	HANDLE, 160 KD	1
11	4685-P	SHCS, 3/8-16 X 3/4 FH	2