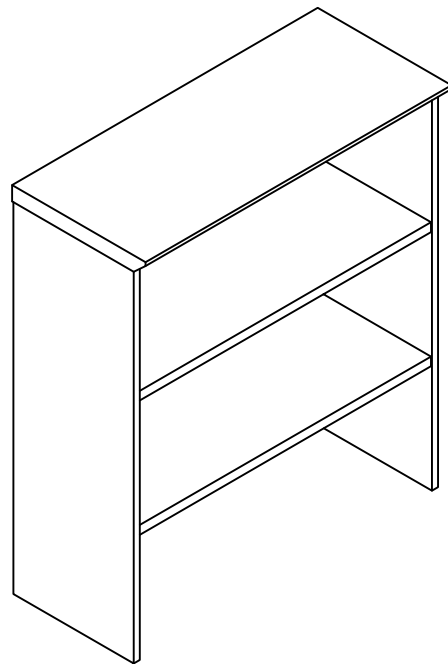


MAYLINE

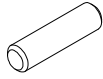

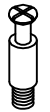


Sterling Series™
Bookcase, 3 Shelf
Model No. STSCB3


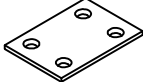


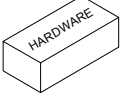


ASSEMBLY INSTRUCTIONS

CALL 1-800-822-8037 FOR ASSISTANCE

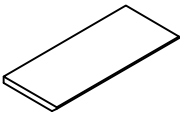
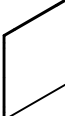

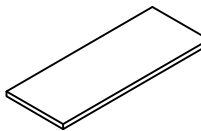
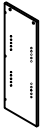
PARTS LIST

Name	Part	Qty.	Spare Qty
A	 REALS004 Wood Dowel	8	1
B	 REALS001 Cam	12	1
C	 REALS002 Cam Post	12	1
D	 REALS617** Cam Sticker	12	1
E	 REALS009 Shelf Support	8	1

Name	Part	Qty.	Spare Qty
F	 REALS005 Ø4x16mm Black	8	2
G	 REALS609 50x35x2mm	2	
H	 REALS622 EVA Tape 355mm	2	
I	 REALS623 EVA Tape 864mm	1	
	 STSCB3HB		

Items with HB are in hardware box.
 **Denotes Color Code

PARTS LIST

Name	Part	Qty.	Name	Part	Qty.
J	 STSCB3J** Top	1	M	 STSCB3M** Back Panel	1
K	 STSCB3K** Left Side Panel	1	N	 STSCB3N** Shelf Panel	2
L	 STSCB3L** Right Side Panel	1			

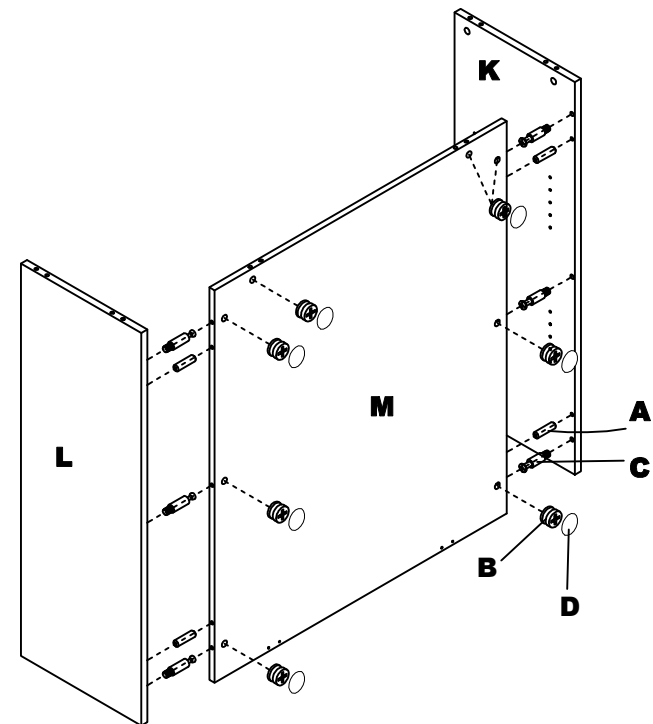
**Denotes Color Code

2

IMPORTANT!

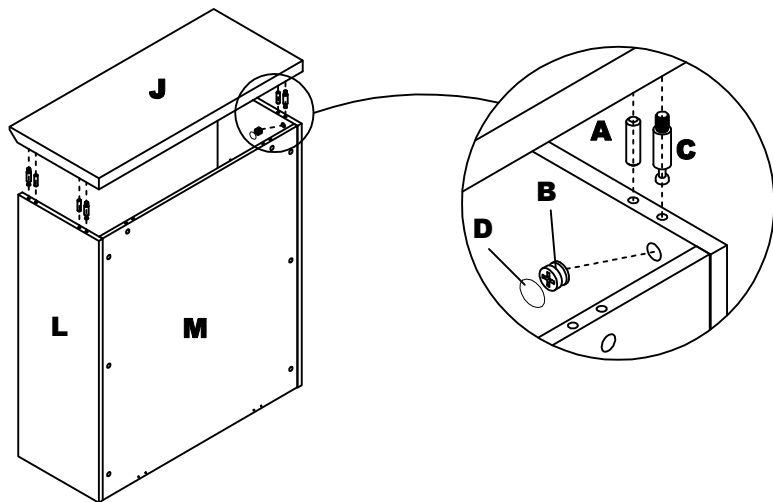
Review ALL instructions before beginning assembly. These instructions are provided to avoid problems that may occur from improper assembly or installation. Mayline and/or its distributor are not responsible for failure resulting from improper assembly or installation of this product. Moreover, all warranties are void for failure to follow these assembly instructions.

- 1** Insert Wood Dowels (A) into Back Panels (M). Insert Cam (B) into Back Panel (M). Install Cam Posts (C) Side Panels (K&L). Attach Side Panels (K&L) to assembled cabinet by turning Cams (B). Apply Cam Stickers (D) to Cams (B) of Back Panel (M).

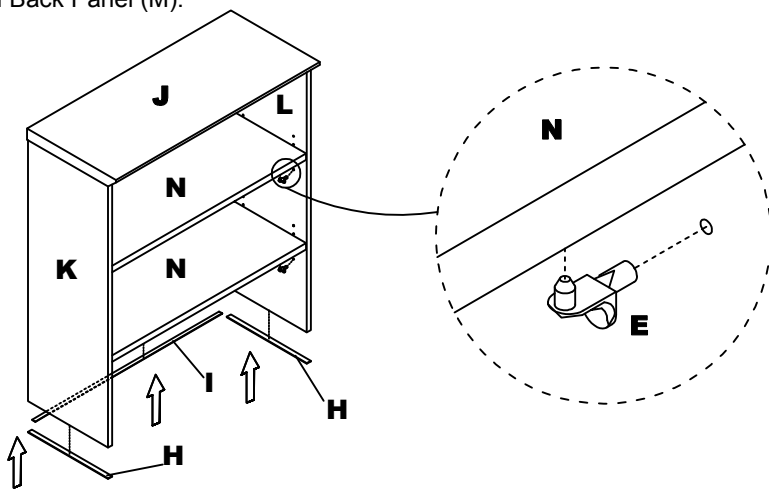


3

- 2** Insert Wood Dowels (A) into Side Panels (K & L). Insert Cam (B) into Side Panel (K & L). Install Cam Posts (C) Top(J). Attach Top (J) to assembled cabinet by turning Cams (B). Apply Cam Stickers (D) to Cams (B) of Side Panel (K &L).

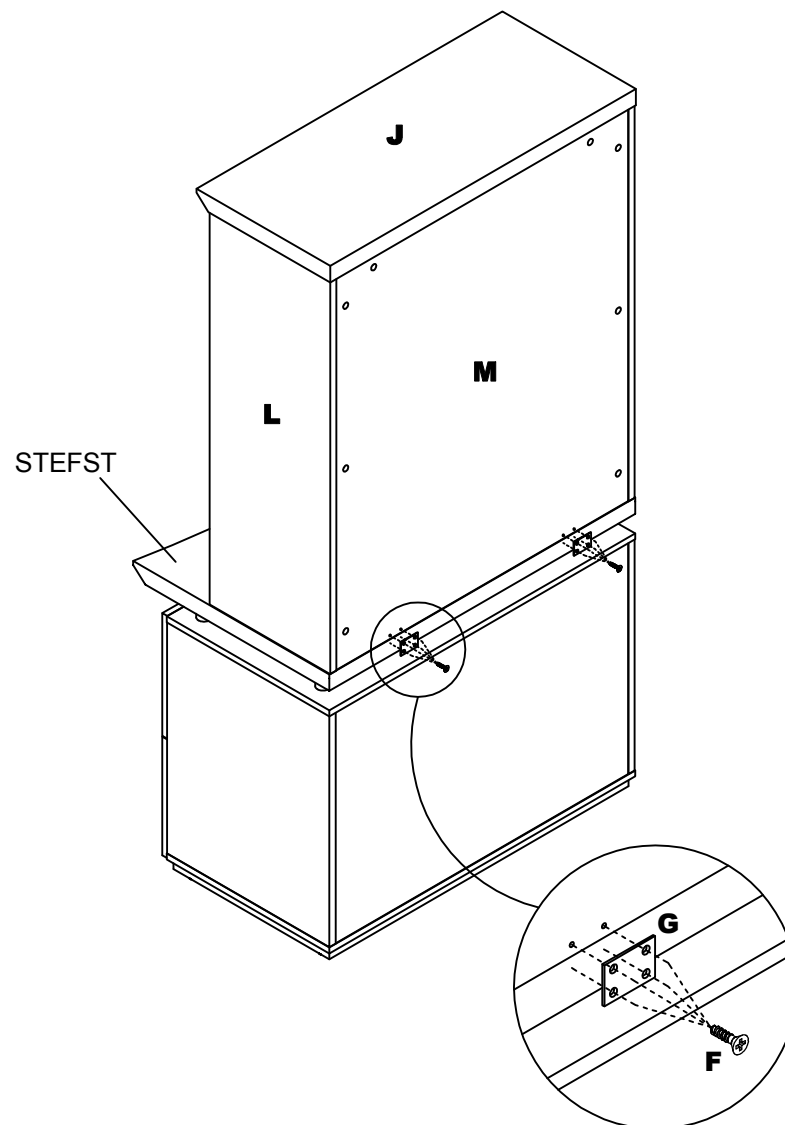


- 3** Insert Shelf Supports (E) into the Side Panels (K & L) at the desired height. Put the Shelf Panel (N) on the Shelf Supports (E). Adhere the Single side Tape (H & I) to the bottom of the Side Panels (M & N) and Back Panel (M).



4

- 4** Install Mounting Plate(G) into Back panel (M) and The back of TOP (STEFST) by using Screws (F).



5