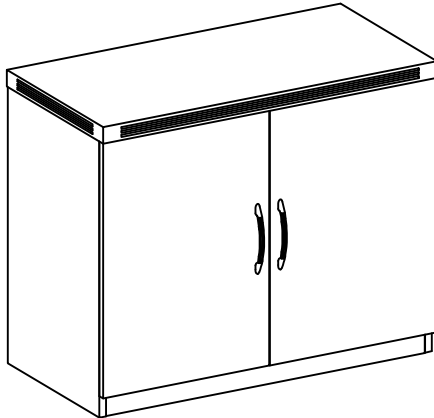


**realoffice**

**MAYLINE**

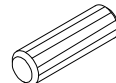
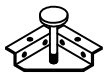
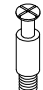

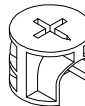







**Aberdeen Series™  
Storage Cabinet  
Model No. ASC**



**ASSEMBLY INSTRUCTIONS**

**CALL 1-800-822-8037 FOR ASSISTANCE**


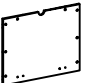






**PARTS LIST**

Name	Part	Qty.	Spare Qty	Name	Part	Qty.	Spare Qty
<b>A</b>	 <b>REALS004</b> Wood Dowel	<b>21</b>	<b>2</b>	<b>G</b>	 <b>REALS008</b> Corner Bracket w/ Glide	<b>4</b>	
<b>B</b>	 <b>REALS003</b> Cam Post	<b>18</b>	<b>2</b>	<b>H</b>	 <b>REALS203</b> Ø4 x 16mm	<b>24</b>	<b>2</b>
<b>C</b>	 <b>REALS001</b> Cam Fastener	<b>18</b>	<b>2</b>	<b>H1</b>	 <b>REALS230**</b> Cap	<b>4</b>	
<b>D</b>	 <b>REALS102**</b> Cam Sticker	<b>18</b>	<b>2</b>	<b>J</b>	 <b>REALS025</b> Door Stop	<b>1</b>	
<b>E</b>	 <b>REALS009</b> Shelf Support Pin	<b>4</b>		<b>K</b>	 <b>REALS017</b> Ø3.5 x 16mm	<b>2</b>	
<b>F</b>	 <b>REALS191</b> Handle w/ Screws	<b>2</b>			 <b>ASCHB</b>		

Items with HB are in hardware box.

\*\*Denotes Color Code

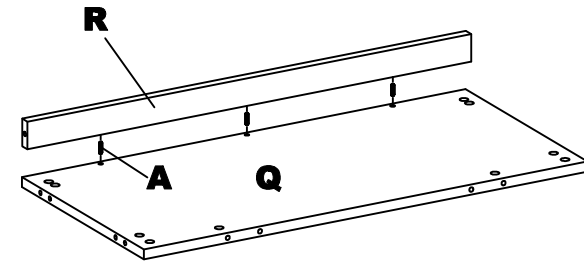
# PARTS LIST

Name	Part	Qty.	Name	Part	Qty.
<b>M</b>	 <b>ASCM**</b> Top	<b>1</b>	<b>S</b>	 <b>ASCS**</b> Back Panel	<b>1</b>
<b>N</b>	 <b>ASCN**</b> Left Side Panel	<b>1</b>	<b>T</b>	 <b>ASCT**</b> Movable Shelf	<b>1</b>
<b>P</b>	 <b>ASCP**</b> Right Side Panel	<b>1</b>	<b>U</b>	 <b>ASCU**</b> Wood Door	<b>2</b>
<b>Q</b>	 <b>ASCQ**</b> Bottom Panel	<b>1</b>			
<b>R</b>	 <b>ASCR**</b> Toe Kick	<b>1</b>			

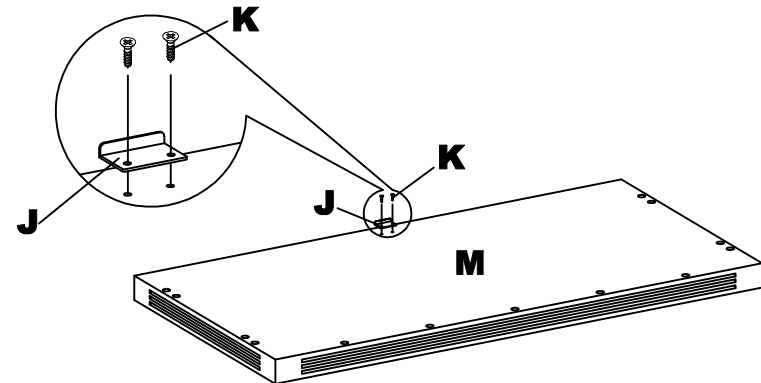
\*\*Denotes Color Code

**2**

- 1** Insert Wood Dowels (A) into Toe Kick (R). Press Toe Kick (R) to Bottom Panel (Q).

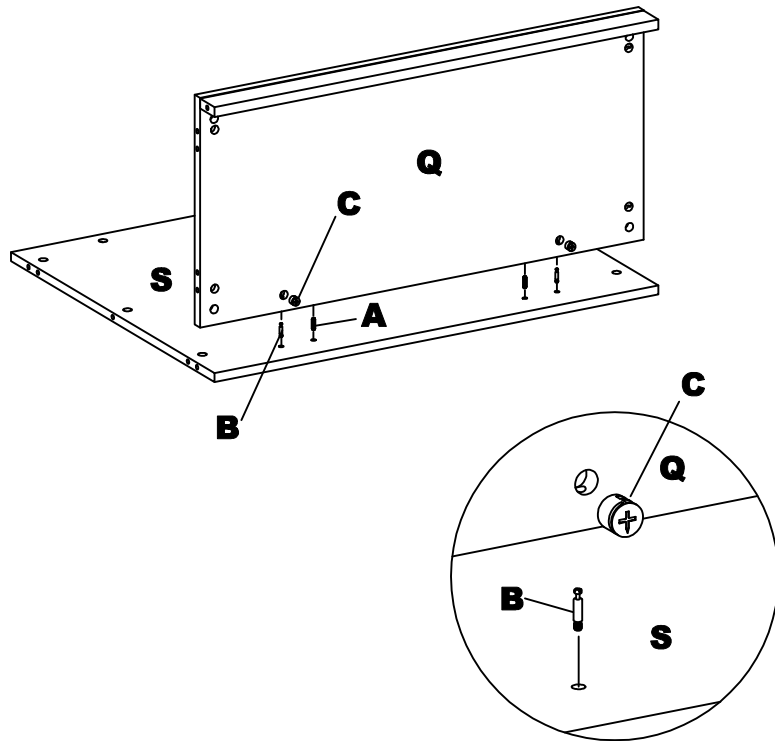


- 2** Attach Door Stop (J) to Top (M) using Screws (K).



**3**

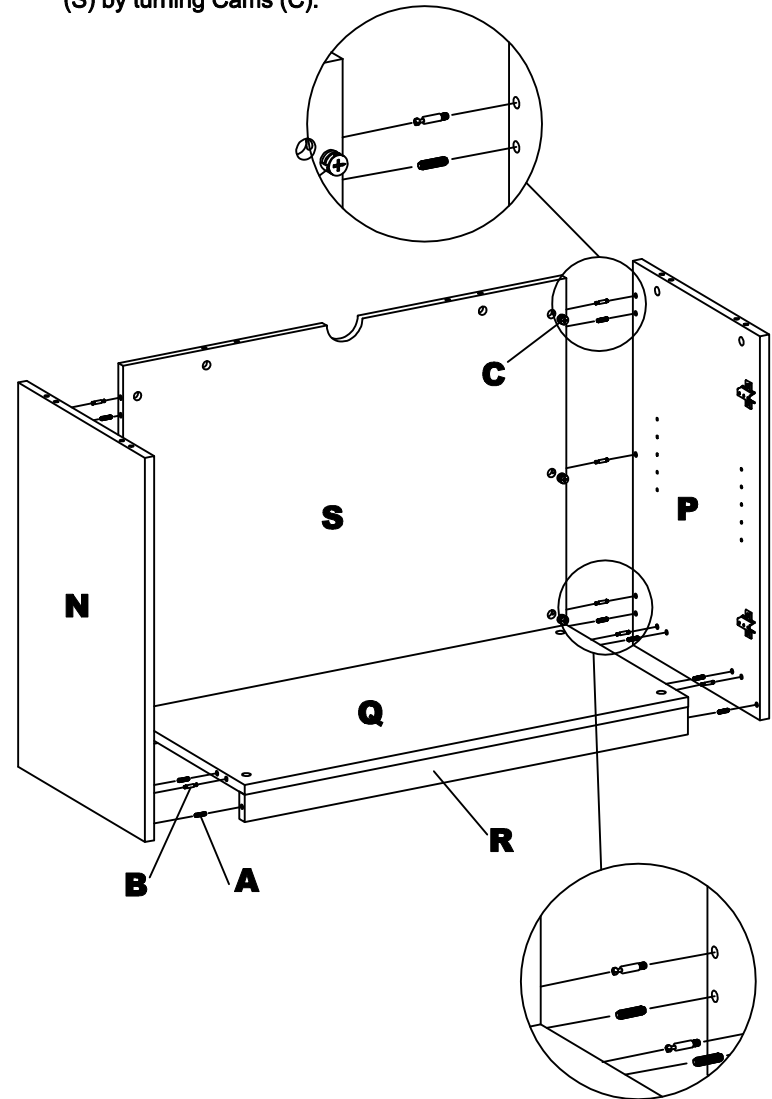
- 3** Insert Wood Dowels (A) into sides of Bottom (Q). Insert Cams (C) into Bottom (Q). Install Cam Posts (B) into threaded inserts in Back Panel (S). Attach Bottom (Q) to Back Panel (S) by turning Cams (C).



NOTE: The arrow on the face of the Cam (C) should point towards the Cam Post (B) for proper alignment.

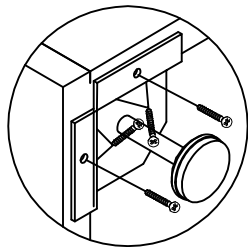
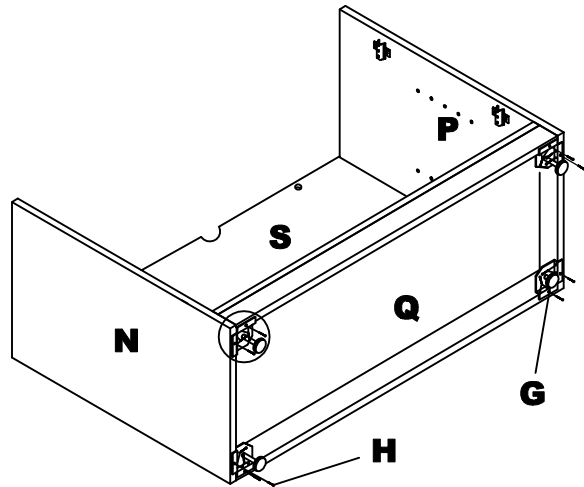
**4**

- 4** Insert Wood Dowels (A) into Bottom (Q), Toe Kick (R), and Back Panel (S). Insert Cams (C) into Bottom (Q) and Back Panel (S). Install Cam Posts (B) into threaded inserts in Left and Right Side Panels (N & P). Attach Left and Right Side Panels (N & P) to Bottom (Q) and Back Panel (S) by turning Cams (C).



**5**

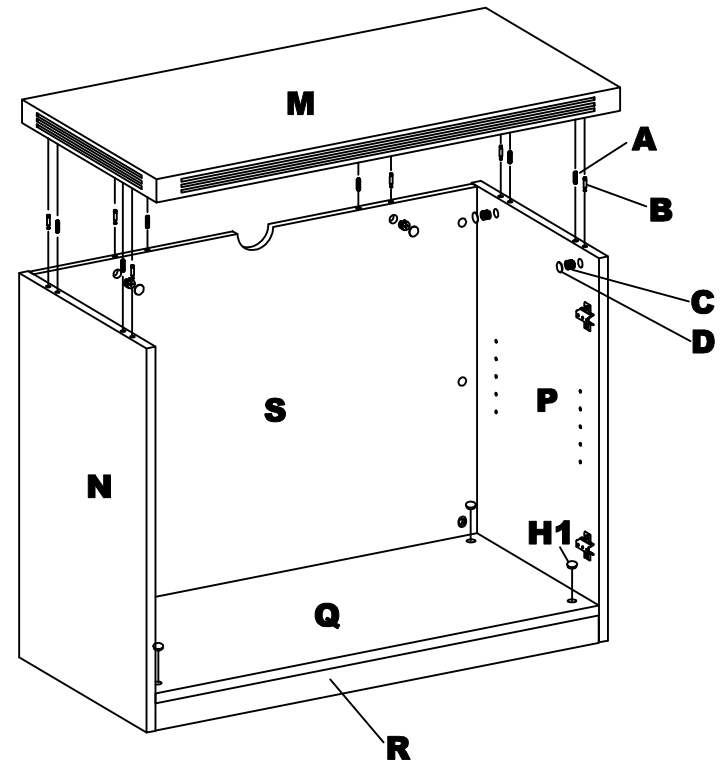
- 5** Attach Corner Brackets with Glides (G) using Screws (H).



**6**

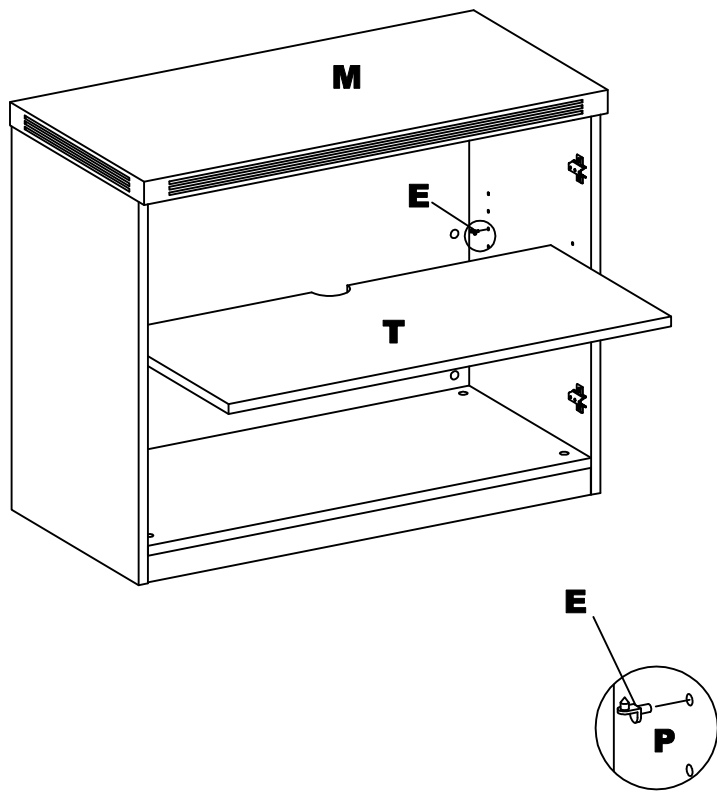
- 6** Insert Wood Dowels (A) into top of Left and Right Side Panel (N & P), and Back Panel (S). Insert Cams (C) into Left and Right Side Panel (N & P), and Back Panel (S). Install Cam Posts (B) into threaded inserts in Top (M). Attach Top (M) to Left and Right Side Panel (N & P), and Back Panel (U) by turning Cams (C).

Apply Cam Stickers (D) onto exposed Cams (C). Insert Caps (H1) into adjustment holes for levelers.



**7**

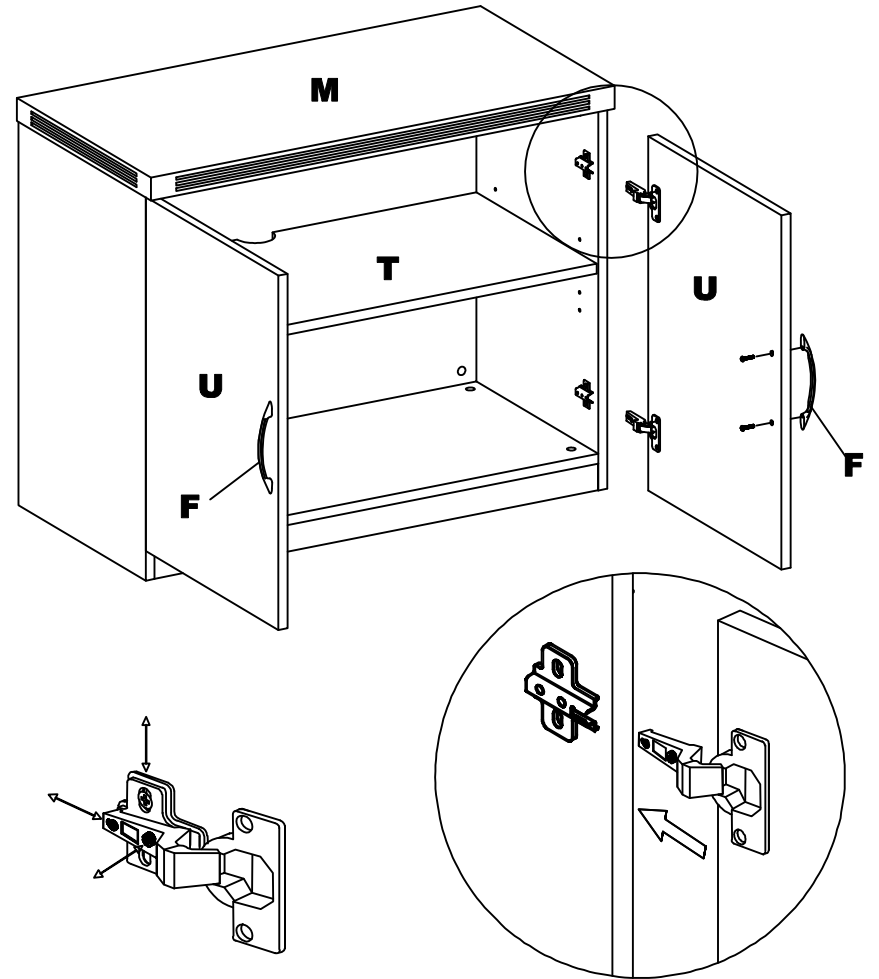
- 7** Install Shelf Support Pins (E) into Left and Right Side Panel (N & P).  
Install Moveable Shelves (T).



**8**





- 8** Attach Handles (F) to Wood Doors (U) using screws supplied with Handle. Install Wood Doors (U) onto cabinet.

Adjust doors for alignment as necessary by using the adjustment screws on the hinges. DO NOT use Power Driver to make these adjustments.



**9**

# Pre-Installed Replacement Parts List

Part	Included Qty.	Part	Included Qty.
 <b>REALS013</b> Hinge - Straight	<b>4</b>	 <b>REALS013P</b> Hinge Plate - Short	<b>4</b>
 <b>REALS247</b> Bumper	<b>2</b>	 <b>REALS018</b> Ø4 x 14mm	<b>16</b>