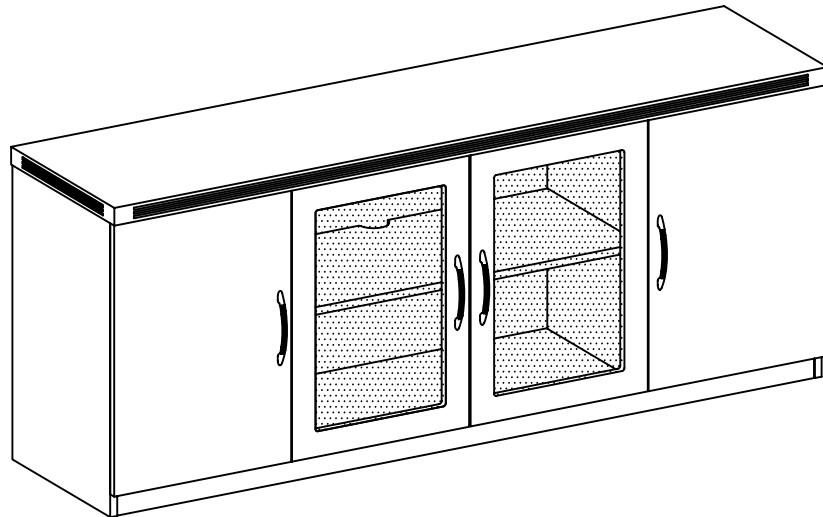


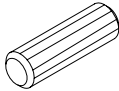
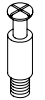
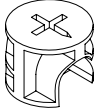



Aberdeen Series™  
Low Wall Cabinet  
Model No. ALC











ASSEMBLY INSTRUCTIONS

CALL 1-800-822-8037 FOR ASSISTANCE








# PARTS LIST






Name	Part	Qty.	Spare Qty
<b>A</b>	 <b>REALS004</b> Wood Dowel	<b>30</b>	<b>3</b>
<b>B</b>	 <b>REALS003</b> Cam Post	<b>32</b>	<b>3</b>
<b>C</b>	 <b>REALS001</b> Cam Fastener	<b>32</b>	<b>3</b>
<b>D</b>	 <b>REALS102**</b> Cam Sticker	<b>32</b>	<b>3</b>
<b>E</b>	 <b>REALS191</b> Handle w/ screws	<b>4</b>	
<b>F</b>	 <b>REALS008</b> Corner Bracket w/ Glide	<b>4</b>	

Name	Part	Qty.	Spare Qty
<b>G</b>	 <b>REALS203</b> Ø4 x 16mm	<b>24</b>	<b>2</b>
<b>H</b>	 <b>REALS009</b> Shelf Support Pin	<b>12</b>	
<b>I</b>	 <b>REALS104</b> Grommet	<b>3</b>	
<b>J</b>	 <b>REALS025</b> Door Stop	<b>1</b>	
<b>K</b>	 <b>REALS017</b> Ø3.5 x 16mm	<b>2</b>	
<b>L</b>	 <b>REALS230**</b> Cap	<b>4</b>	
<b>Z</b>	 <b>REALBY026</b> Black Handle	<b>4</b>	
	 <b>ALCHB</b>		

Items with HB are in hardware box.  
\*\*Denotes Color Code

# PARTS LIST

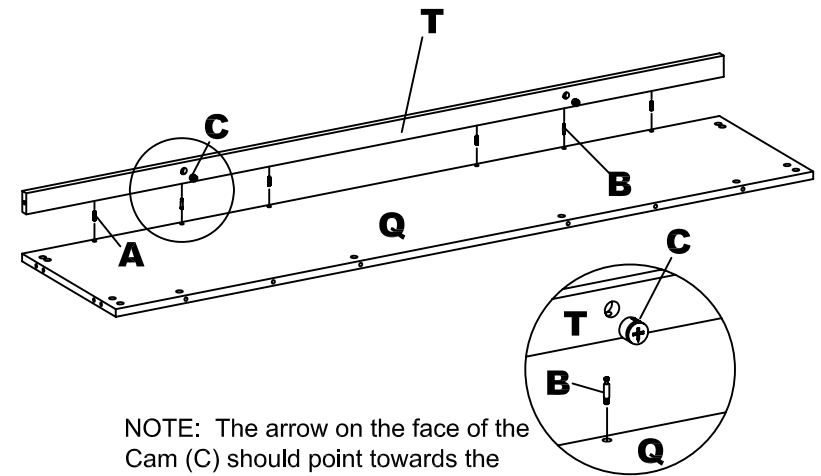
Name	Part	Qty.
<b>M</b>	 <b>ALCM**</b> Top	<b>1</b>
<b>N</b>	 <b>ALCN**</b> Left Side Panel	<b>1</b>
<b>P</b>	 <b>ALCP**</b> Right Side Panel	<b>1</b>
<b>Q</b>	 <b>ALCQ**</b> Bottom	<b>1</b>
<b>R</b>	 <b>ALCR**</b> Right Vertical Board	<b>1</b>
<b>S</b>	 <b>ALCS**</b> Left Vertical Board	<b>1</b>
<b>T</b>	 <b>ALCTK**</b> Toe Kick	<b>1</b>

Name	Part	Qty.
<b>U</b>	 <b>ALCU**</b> Back Panel	<b>1</b>
<b>V</b>	 <b>ALCV**</b> Short Movable Shelf	<b>2</b>
<b>W</b>	 <b>ALCW**</b> Long Movable Shelf	<b>1</b>
<b>X</b>	 <b>ALCX**</b> Wood Door	<b>2</b>
<b>Y</b>	 <b>ALCY**</b> Glass Door	<b>2</b>

\*\*Denotes Color Code

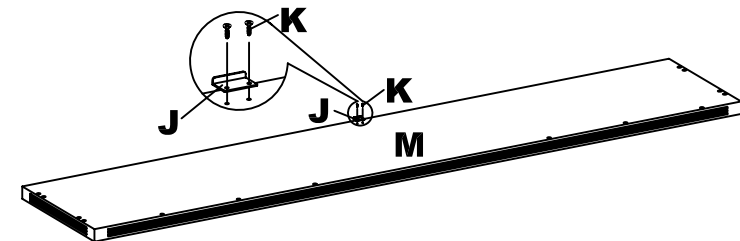
**2**

- 1** Insert Wood Dowels (A) into Toe Kick (T). Insert Cams (C) into Toe Kick (T). Install Cam Posts (B) into threaded inserts in Bottom (Q). Attach Toe Kick (T) to Bottom (Q) by turning Cams (C).



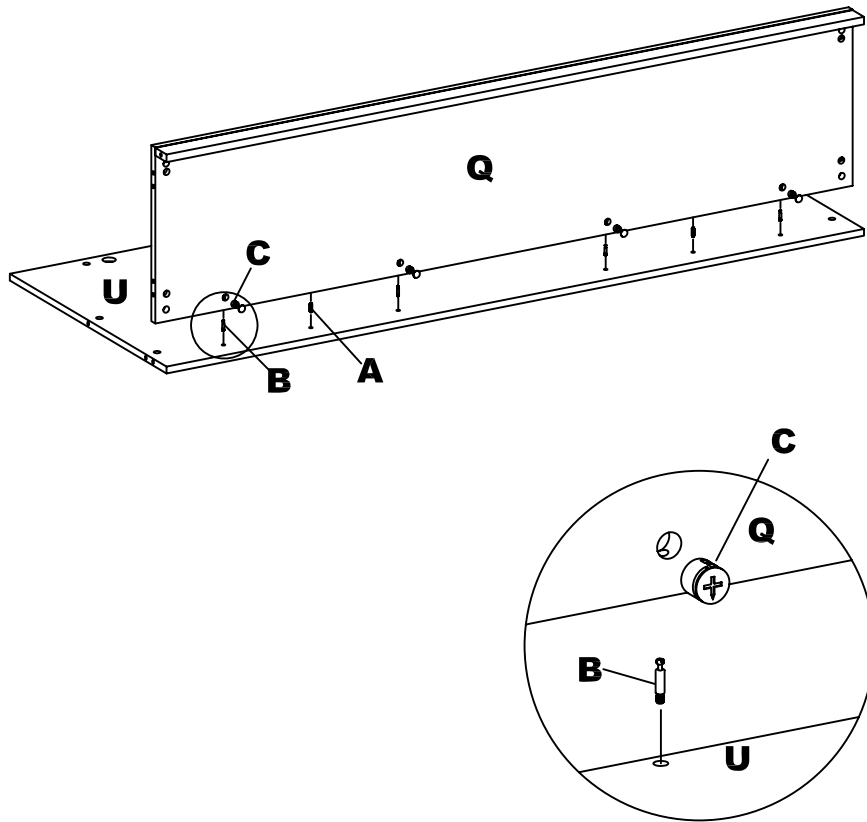
NOTE: The arrow on the face of the Cam (C) should point towards the Cam Post (B) for proper alignment.

- 2** Attach Door Stop (J) to Top (M) using Screws (K).



**3**

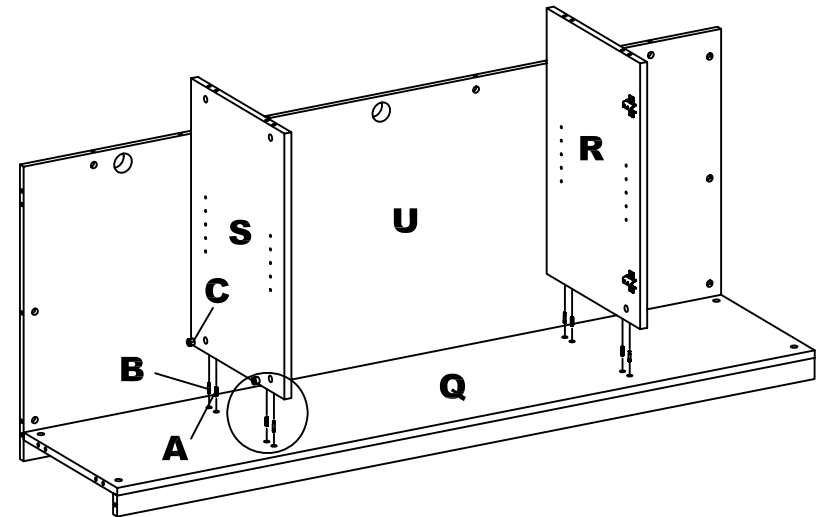
- 3** Insert Wood Dowels (A) into Bottom (Q). Insert Cams (C) into Bottom (Q). Install Cam Posts (B) into threaded inserts in Back Panel (U). Attach Bottom (Q) to Back Panel (U) by turning Cams (C).



NOTE: The arrow on the face of the Cam (C) should point towards the Cam Post (B) for proper alignment.

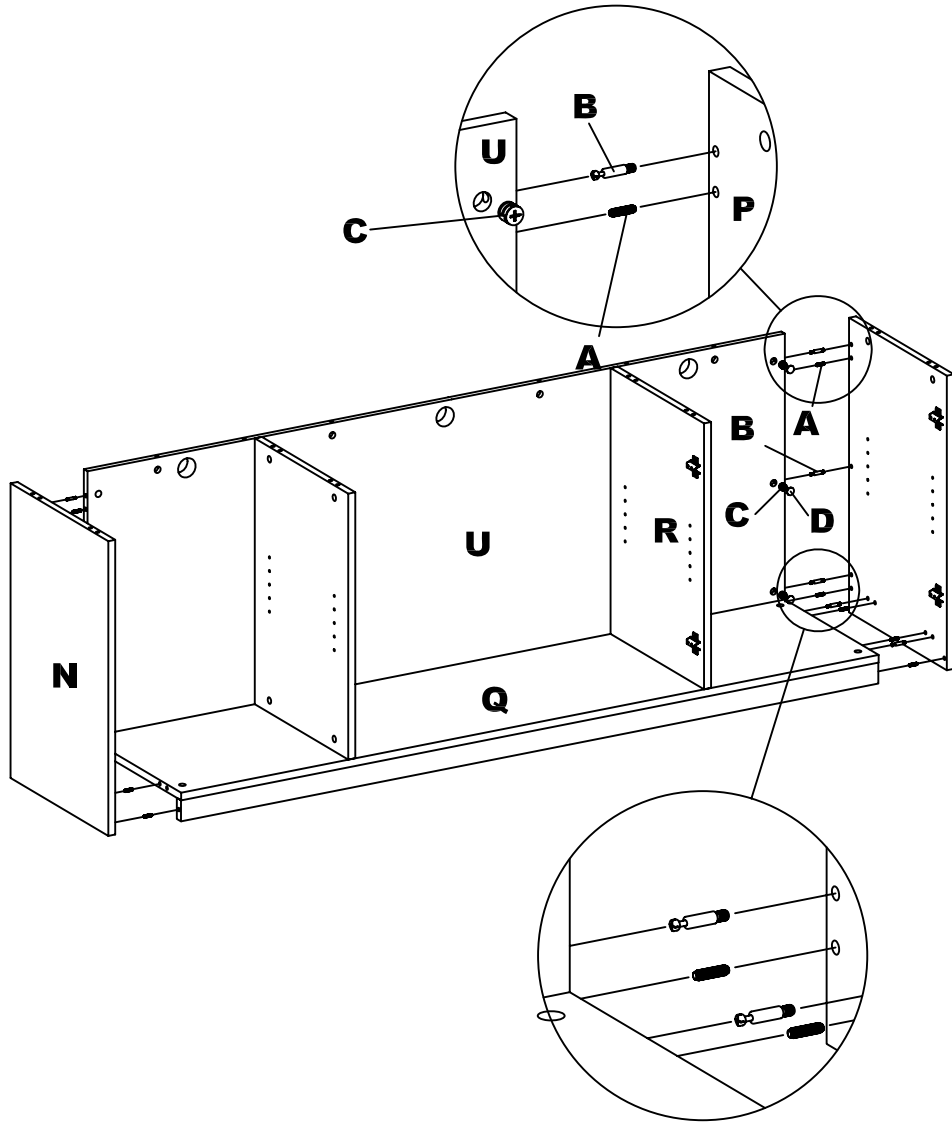
**4**

- 4** Insert Wood Dowels (A) into Right and Left Vertical Boards (R & S). Insert Cams (C) into Right and Left Vertical Boards (R & S). Install Cam Posts (B) into threaded inserts in Bottom (Q). Attach Right and Left Vertical Boards (R & S) to Bottom (Q) by turning Cams (C).



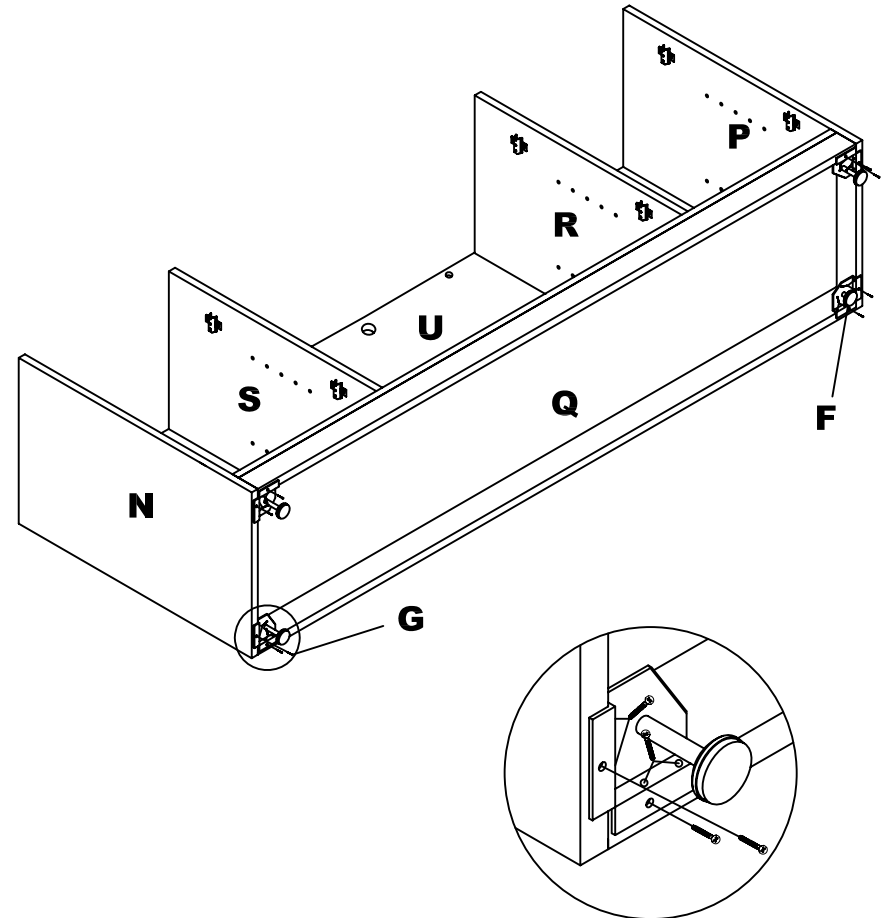
**5**

- 5** Insert Wood Dowels (A) into sides of Bottom (Q), Toe Kick (T), and Back Panel (U). Insert Cams (C) into Bottom (Q) and Back Panel (U). Install Cam Posts (B) into threaded inserts in Left and Right Side Panels (N & P). Attach Left and Right Side Panels (N & P) to Bottom (Q) and Back Panel (U) by turning Cams (C).



**6**

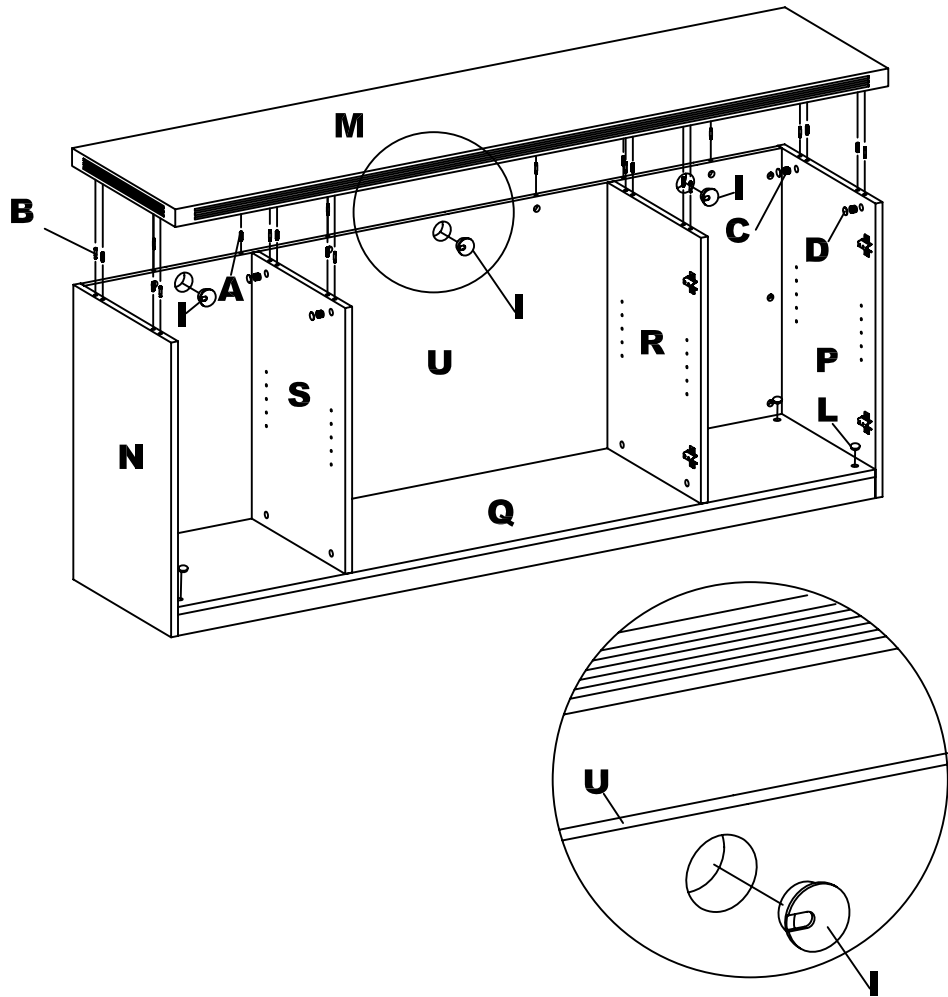
- 6** Attach Corner Brackets with Glides (F) using Screws (G).



**7**

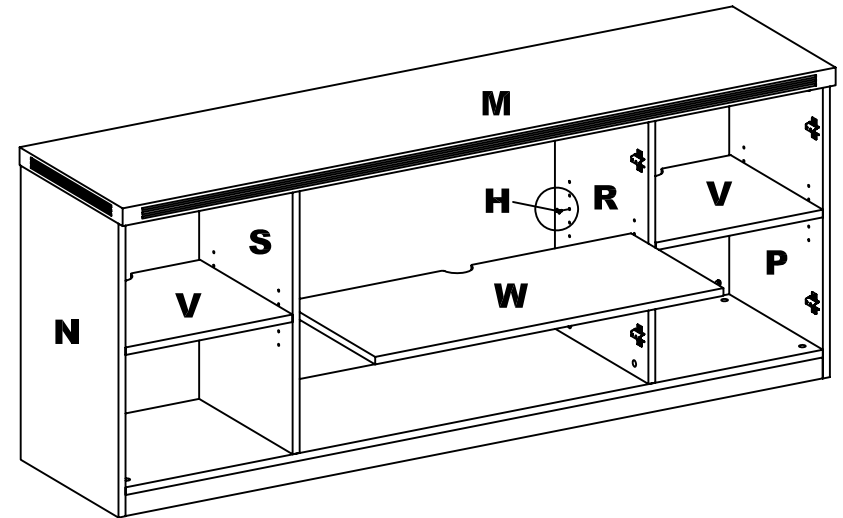
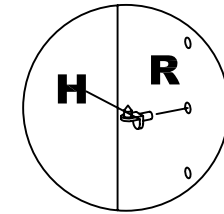
**7** Insert Wood Dowels (A) into tops of Left and Right Side Panel (N & P), Left and Right Vertical Panels (R & S), and Back Panel (U). Insert Cams (C) into Left and Right Side Panel (N & P), Left and Right Vertical Panels (R & S), and Back Panel (U). Install Cam Posts (B) into threaded inserts in Top (M). Attach Top (M) to Left and Right Side Panel (N & P), Left and Right Vertical Panels (R & S), and Back Panel (U) by turning Cams (C). Install grommet (I) into grommet hole.

Apply Cam Stickers (D) onto exposed Cams (C). Insert Caps (L) into adjustment holes for levelers.



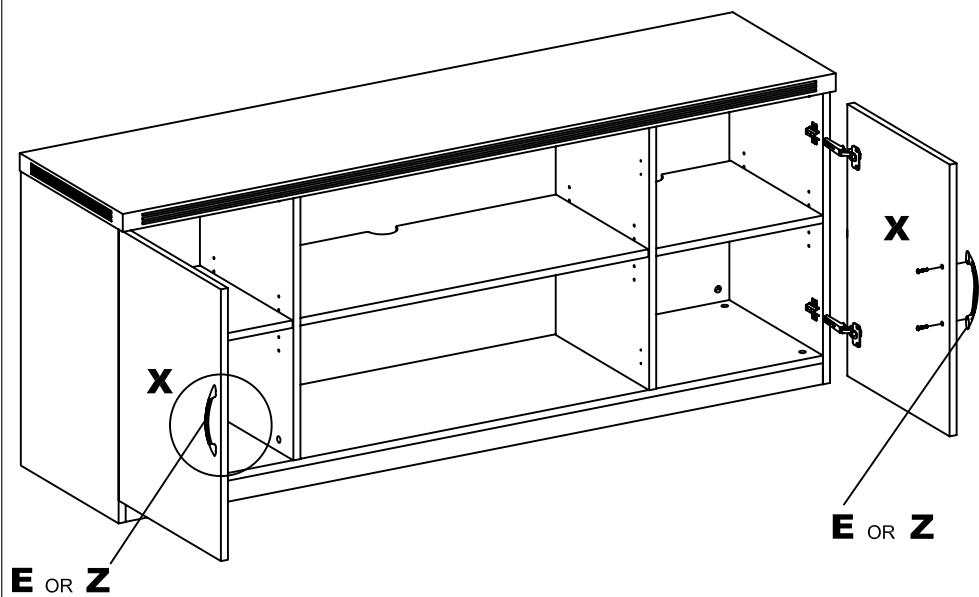
**8**

**8** Install Shelf Support Pins (H) into Left and Right Side Panel (N & P), Left and Right Vertical Panels (R & S). Install Short Moveable Shelves (V) and Long Moveable Shelf (W).



**9**

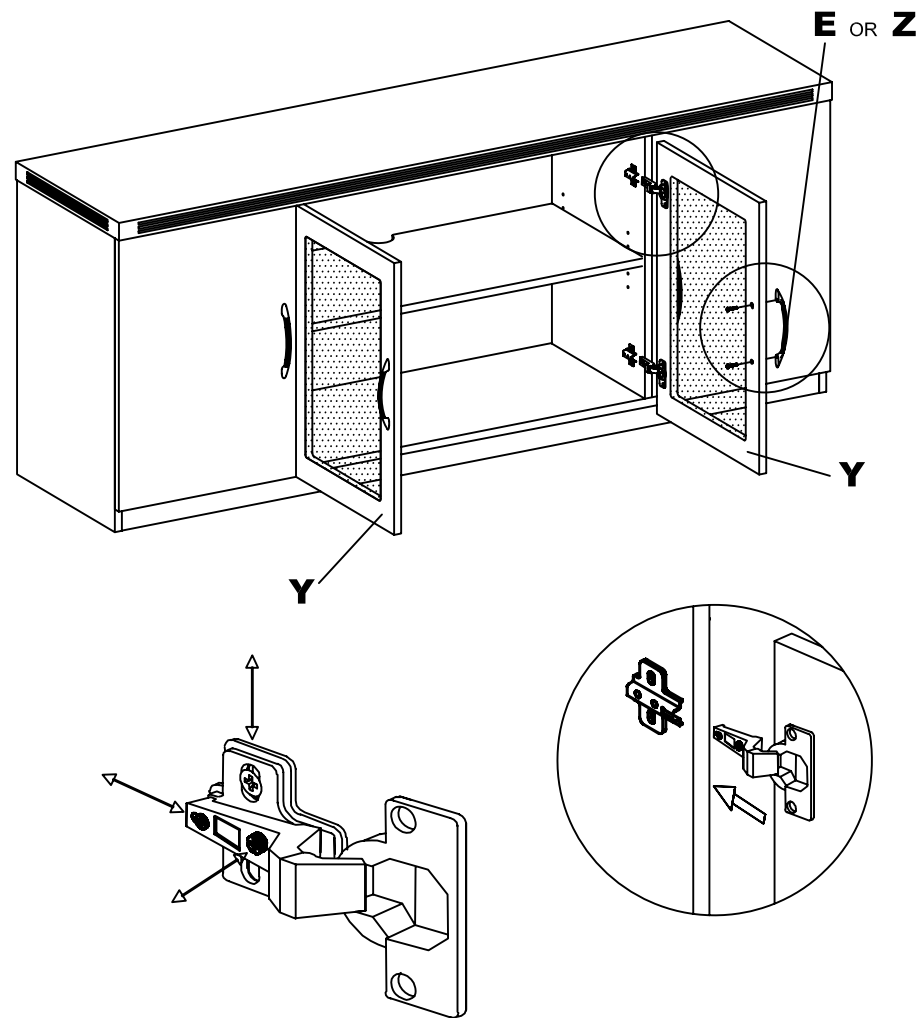
- 9** Attach Handles (E) or (Z) to Wood Doors (X) using Screws supplied with Handle. Install Wood Doors (X) onto cabinet.



**10**






- 10** Attach Handles (E) or (z) to Glass Doors (Y) using Screws supplied with Handle. Install Glass Doors (Y) onto cabinet.

Adjust all doors for alignment as necessary by using the adjustment screws on the hinges. DO NOT use Power Driver to make these adjustments.



**11**

# Pre-Installed Replacement Parts List

Part	Included Qty.	Part	Included Qty.
 <b>REALS013</b> Hinge - Straight	<b>4</b>	 <b>REALS013P</b> Hinge Plate - Short	<b>8</b>
 <b>REALS051</b> Hinge - Offset	<b>4</b>	 <b>REALS018</b> Ø4 x 14mm	<b>32</b>
		 <b>REALS247</b> Bumper	<b>4</b>