

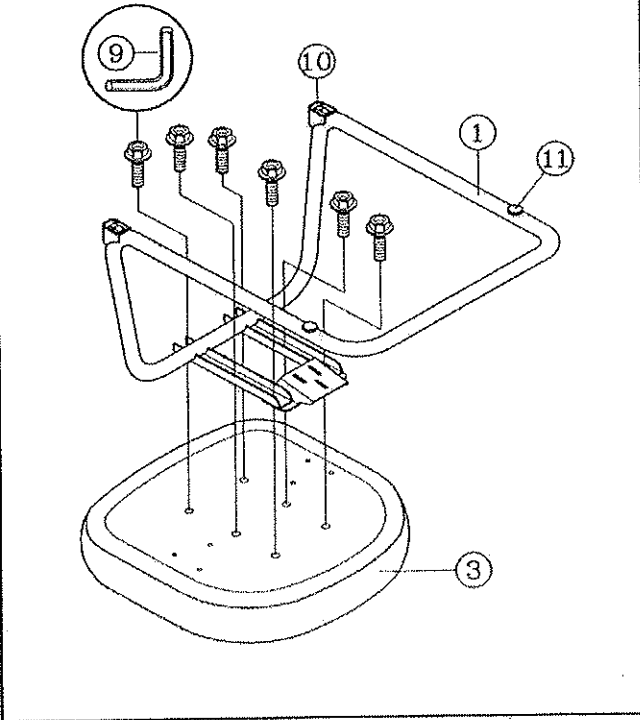
PART LIST

KEY	QTY	DESCRIPTION
1	1	Sled Base
2	6	Sled Base Screw (8*20mm)
3	1	Seat
4	1	Backrest
5	3	Mechanism Bracket Screw (8*20mm) + Washers
6	2	Armrest
7	6	Armrest Screw (8*20mm)
8	1	Backrest Tight Screw (8*23mm)
9	1	M5 Size Allen Wrench
10	2	Front Bumpers
11	2	Button Glides

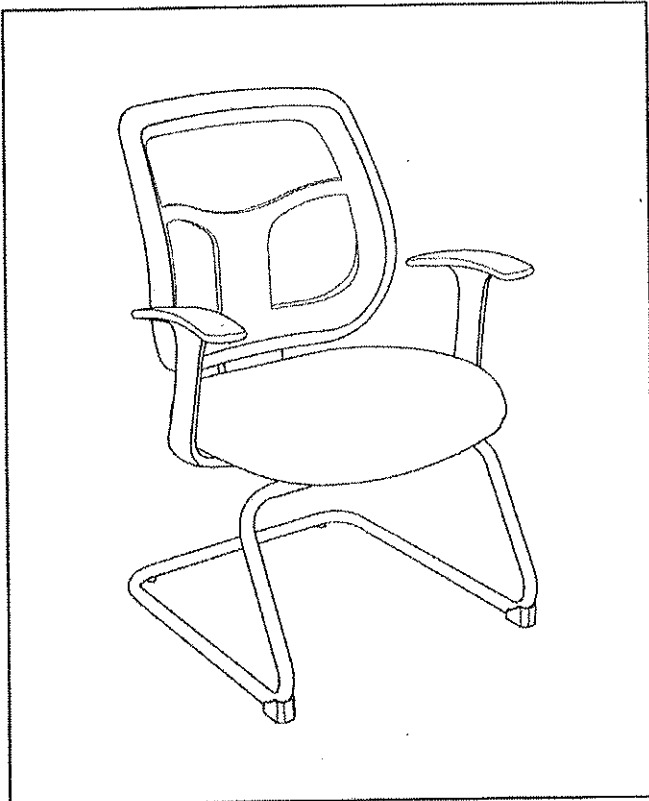
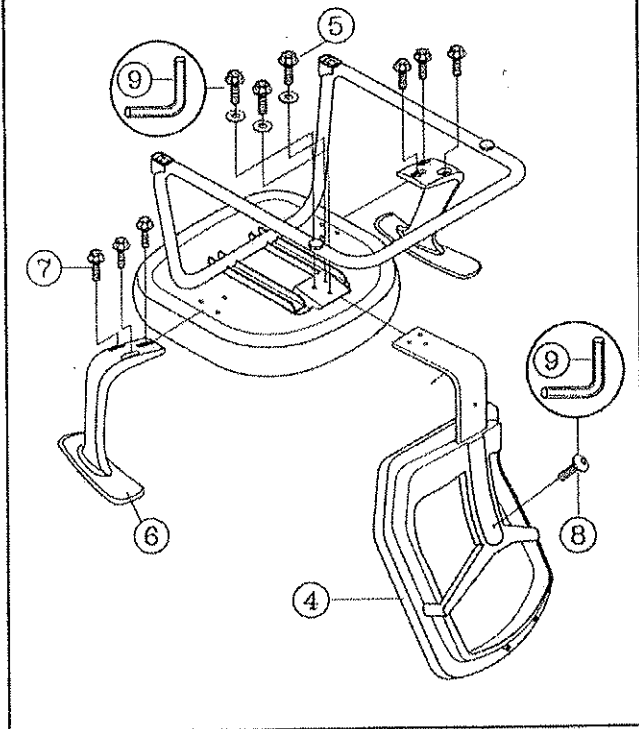
PREVENTIVE MAINTENANCE AND WARNING!

- USE THIS PRODUCT ONLY FOR SEATING ONE PERSON AT A TIME.
- DO NOT USE THIS CHAIR AS A STEP STOOL / LADDER.
- DO NOT SIT ON ANY PART OF THE CHAIR EXCEPT THE SEAT.
- DO NOT USE CHAIR ON UNEVEN FLOOR SURFACES.
- DO NOT USE CHAIR UNLESS ALL BOLTS, SCREWS AND KNOBS ARE TIGHTENED.
- EVERY SIX MONTHS, PLEASE MAKE SURE ALL BOLTS, SCREWS AND KNOBS ARE FULLY TIGHTENED TO ENSURE STABILITY.
- IF ANY PARTS ARE MISSING, BROKEN, DAMAGED OR WORN, STOP USE OF THE PRODUCT UNTIL REPAIRS ARE MADE USING FACTORY AUTHORIZED PARTS.
- DISPOSE OF PACKAGING PROPERLY. PLASTIC BAG IS NOT A TOY. DO NOT USE PLASTIC BAG AS HEAD COVERING - IT MAY CAUSE SUFFOCATION.
- FAILURE TO FOLLOW THESE WARNINGS COULD RESULT IN SERIOUS INJURY.

STEP 1.



STEP 2.



MTG9900 / NFMTG9900

2010.6.10