
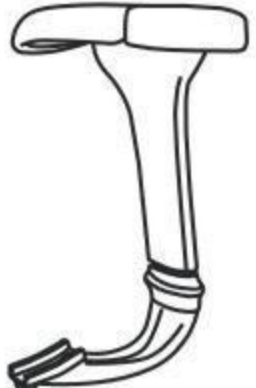
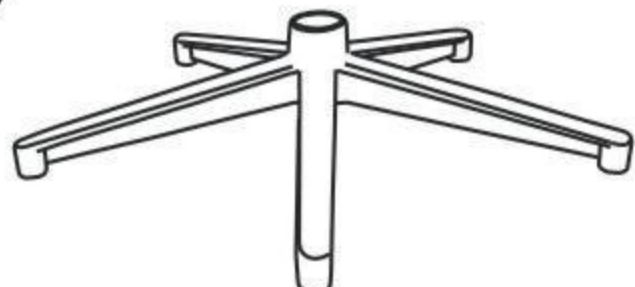
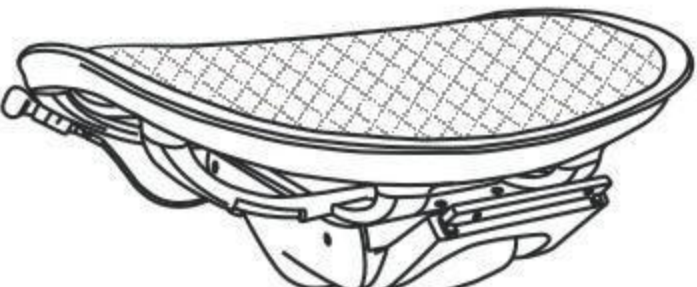




# ERGOHUMAN ME8ERGLO/LE10ERGLO ASSEMBLY INSTRUCTION

## PARTS LIST

①  CASTER x 5	④  RIGHT&LEFT ARM x 1EACH
②  BASE x 1	⑤  SEAT CUSHION x 1
③  GAS LIFT x 1	⑥  BACK CUSHION x 1

## HARDWARE

### TYPE A ARM SCREWS&WASHER (FOR FRONT SCREW OPENING)

	1/4" X 1"
	SPARE SCREW

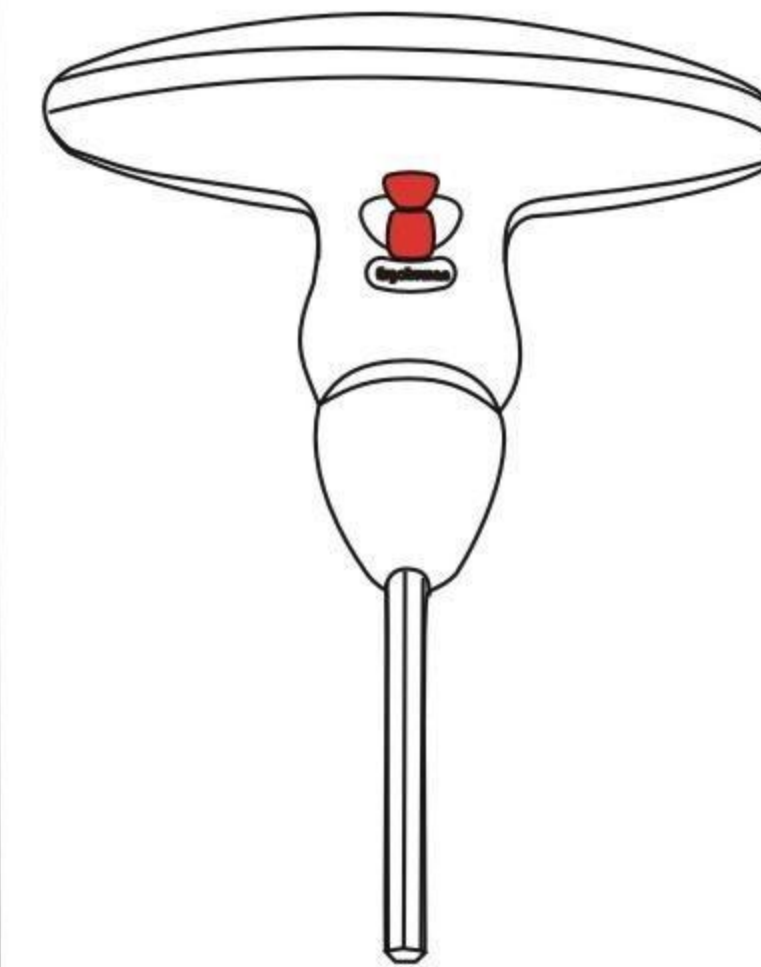
### TYPE B ARM SCREWS&WASHER (FOR REAR SCREW OPENING)

	1/4" X 5/8"
	SPARE SCREW

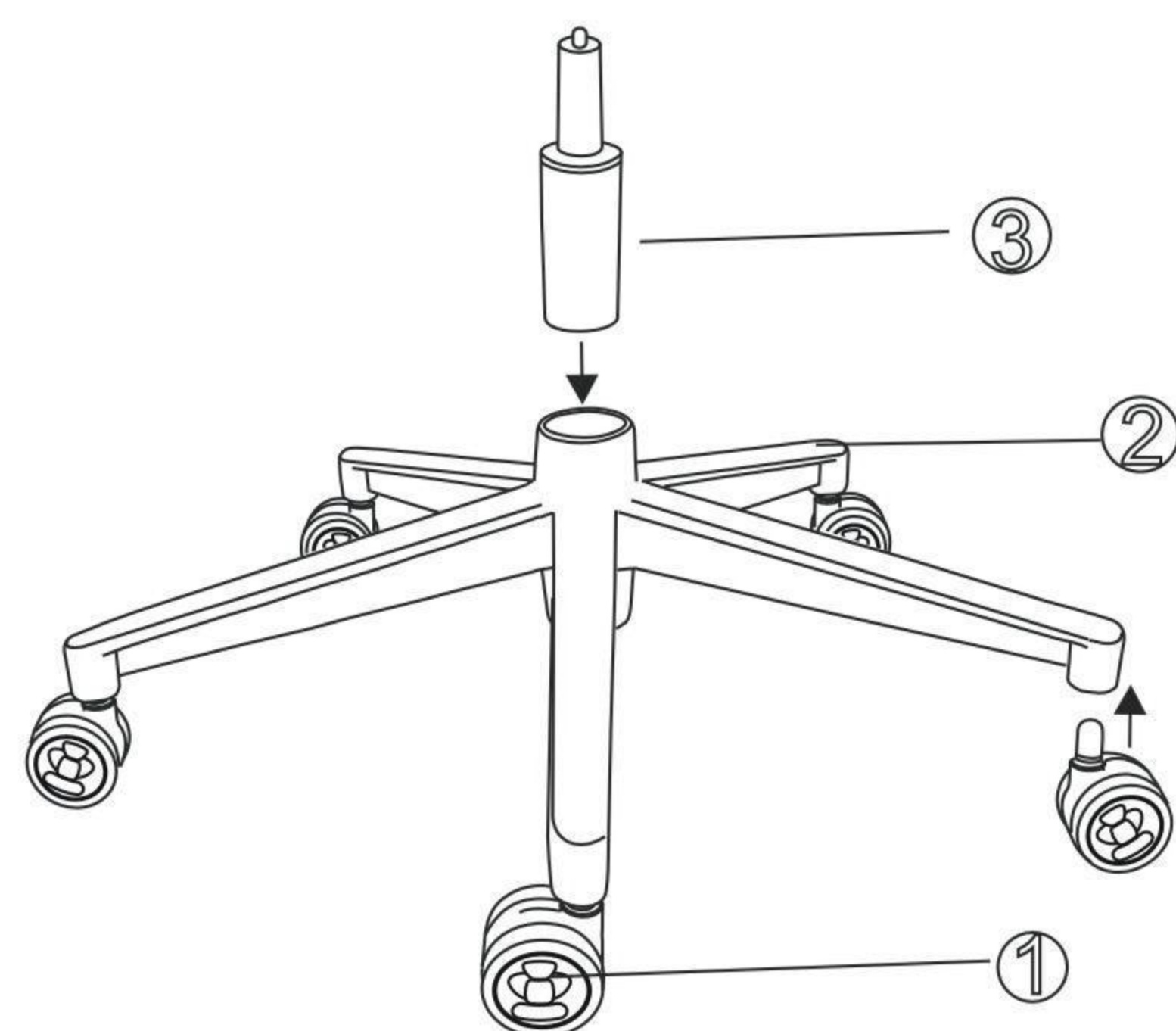
### TYPE C BACK SCREWS

	M8X17MM
	SPARE SCREW

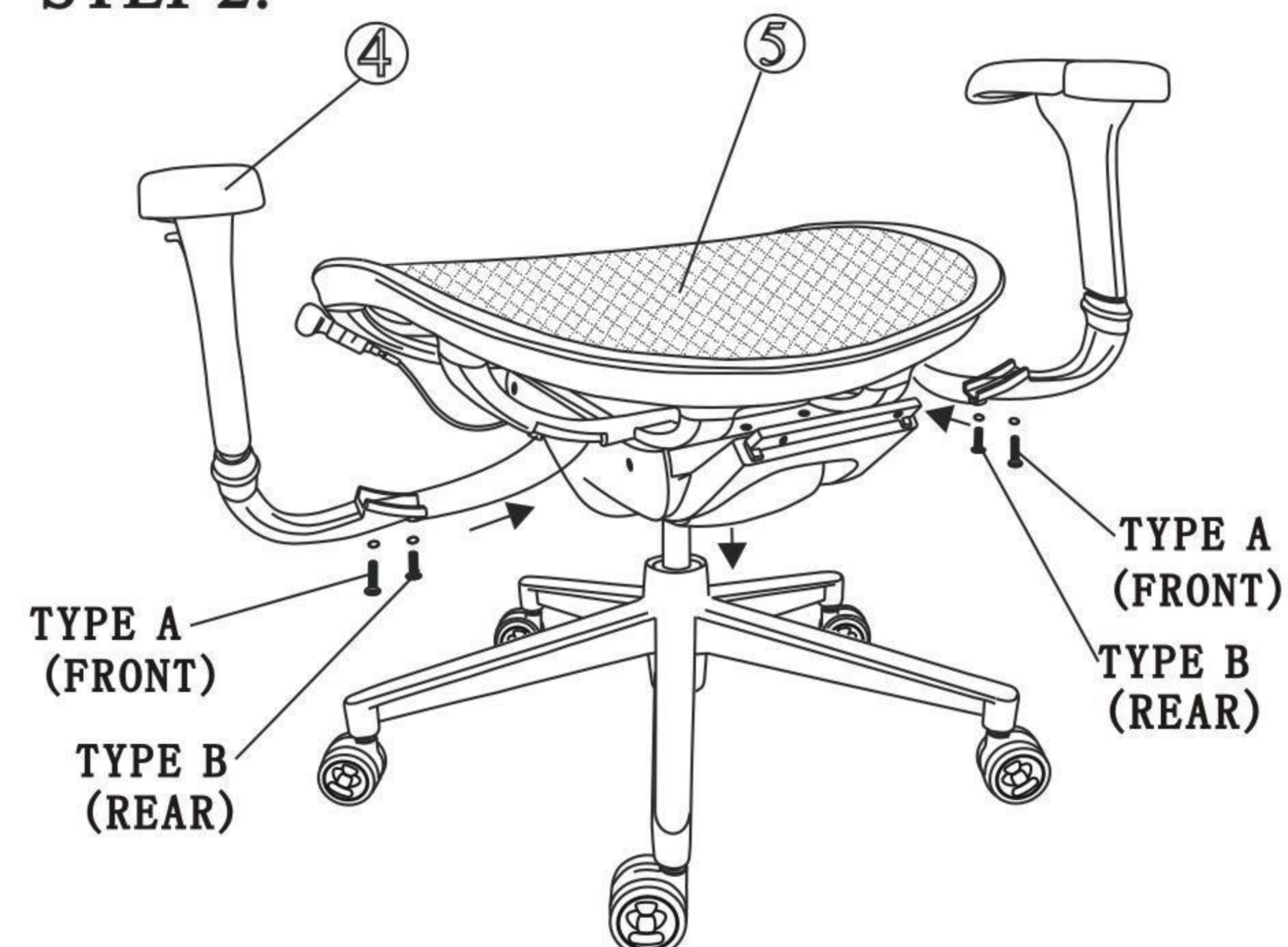
ALLEN WRENCH



### STEP 1.



### STEP 2.



### STEP 3.



### STEP 4.



#### PREVENTIVE MAINTENANCE AND WARNING

- USE THIS PRODUCT ONLY FOR SEATING ONE PERSON AT A TIME.
- DO NOT USE CHAIR AS STEP STOOL/LADDER.  
DO NOT USE CHAIR UNLESS ALL BOLTS, SCREWS ARE TIGHT. AT LEAST EVERY SIX MONTHS CHECK ALL BOLTS, SCREWS TO BE SURE THEY ARE TIGHT.
- IF ANY PARTS ARE MISSING, BROKEN, DAMAGED OR WORN, STOP USE OF THE PRODUCT UNTIL REPAIRS ARE MADE USING FACTORY AUTHORIZED PARTS.
- FAILURE TO FOLLOW THESE WARNINGS CAN RESULT IN SERIOUS INJURY.

FOR ASSEMBLY ASSISTANCE CALL  
CUSTOMER SERVICE: 1-800-637-0005  
METRO NY: 1-516-481-9500  
9:00AM TO 5:00PM (EASTERN)