

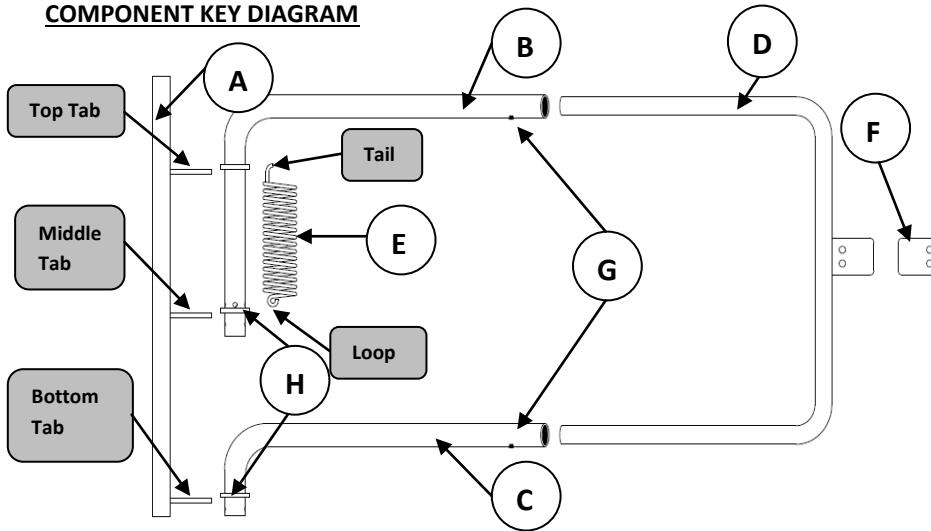
SGS-R Safety Gate Mounting and Assembly Instructions

Manufactured by: Brennan Equipment & Mfg, Inc. / 730 Central Ave / University Park, IL 60484

Thank you for purchasing this high-quality, commercial-grade versatile safety gate. This gate has been constructed with heavy gauge steel and powder-coated to withstand the toughest commercial and industrial environments. Please follow the instructions below to configure and install your gate.



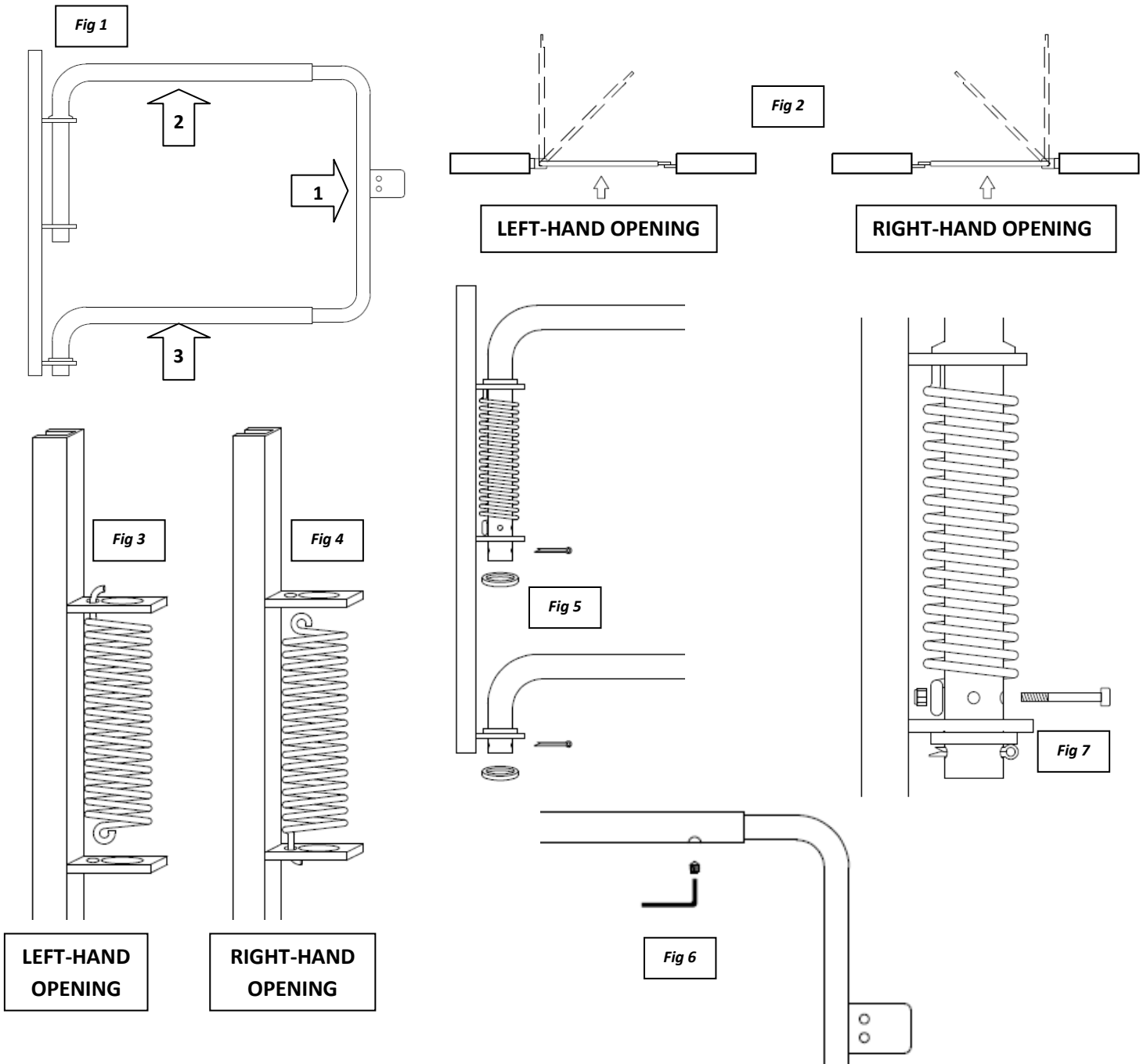
COMPONENT KEY DIAGRAM



A	MOUNTING RAIL
B	TOP HINGE TUBE
C	BOTTOM HINGE TUBE
D	FRAME
E	SPRING
F	STRIKER TAB
G	SET SCREWS
H	SPACER

GATE SET-UP AND INSTALLATION INSTRUCTIONS

- 1) The gate has been partially assembled for shipment. Disassemble to begin the gate setup. [see Fig 1]
- 2) **If using the "Easy Mount" kit, now refer to the instruction sheet provided in that kit.**
- 3) Bolt the MOUNTING RAIL (A) in place (fasteners not provided).
- 4) Decide which configuration you need for your opening. [see Fig 2]
- 5) **FOR LEFT-HAND OPENING SETUP:** Insert the "tail" end of the SPRING (E) into the hole in the TOP tab of MOUNTING RAIL (A). [see Fig 3]. (This step is important because the spring is designed to coil-up during its duty cycle, not uncoil).
- 6) **FOR RIGHT-HAND OPENING SETUP:** Insert the "tail" end of the SPRING (E) into the hole in the MIDDLE tab of MOUNTING RAIL (A). [see Fig 4]. (This step is important because the spring is designed to coil-up during its duty cycle, not uncoil).
- 7) Slide the TOP HINGE TUBE (B) through the top and middle tabs on the MOUNTING RAIL (A) and SPRING (E). [see Fig 5]
- 8) Place the SPACER (H) over the end of the tube and insert the cotter pin through the holes provided. Bend the ends of the cotter pin to lock the TOP HINGE TUBE (B) in place. [see Fig 5]
- 9) Slide the BOTTOM HINGE TUBE (C) through the bottom tab on the MOUNTING RAIL (A). [see Fig 5]
- 10) Place the SPACER (H) over the end of the tube and insert the cotter pin through the holes provided and bend the ends of the cotter pin to lock the BOTTOM HINGE TUBE (C) in place. [see Fig 5]
- 11) Slide the FRAME (D) into the ends of the TOP HINGE TUBE (B) and BOTTOM HINGE TUBE (C). [see Fig 6]
- 12) Adjust the gate width for your opening and insert and tighten the SET SCREWS (G) to set the gate width accordingly. [see Fig 6]
- 13) STRIKER TAB (F) has been provided to act as a rest for the gate in the closed position. It can be mounted using the two 3/8" holes provided. This part is not necessary in many applications.
- 14) Insert the bolt and nut through the loop end of the SPRING (E) and through the holes in the TOP HINGE TUBE (B). **To adjust the spring tension**, two sets of holes are provided opposite each other at 90°. You can increase the spring tension by winding the spring and putting the bolt through the next set of holes to achieve the desired gate-closing force. [see Fig 7]



MAINTENANCE/INSPECTION SCHEDULE

Frequency	Check For	Action
Monthly*	Damage or deformation.	Tag as unsafe and replace gate.
Monthly*	Loose fasteners.	Tighten immediately.
Monthly*	Spring swings freely to home position.	Clean and lubricate if needed. If problem persists, tag as unsafe and replace gate.
Monthly*	Pivot axis swings freely to home position.	Clean and lubricate if needed. If problem persists, tag as unsafe and replace gate.

*Frequency based on nominal usage. Increased usage may require increased maintenance frequency.

WARNING

DO NOT PROP GATE OPEN. THIS COULD RESULT IN A FALL CAUSING INJURY OR DEATH.
DO NOT BLOCK GATE FROM OPENING. THIS COULD IMPEDE EMERGENCY EXIT AND CAUSE INJURY.