
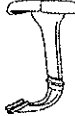
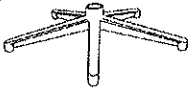






# ERGOHUMAN LEM6ERGLO ASSEMBLY INSTRUCTION

## PARTS LIST

<b>①</b>  CASTER x 5	<b>④</b>  RIGHT&LEFT ARM *1EACH
<b>②</b>  BASE x 1	<b>⑤</b>  SEAT CUSHION x 1
<b>③</b>  GAS LIFT x 1	<b>⑥</b>  BACK CUSHION x 1

## HARDWARE



TYPE A ARM SCREWS&WASHER  
(FOR FRONT SCREW OPENING)

	1/4" X 1"
	SPARE SCREW

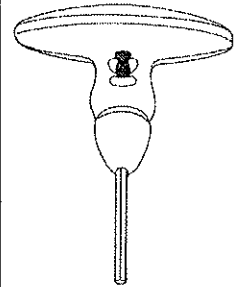
TYPE B ARM SCREWS&WASHER  
(FOR REAR SCREW OPENING)

	1/4" X 5/8"
	SPARE SCREW

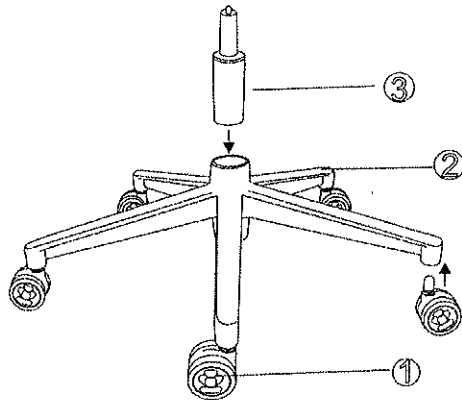
TYPE C BACK SCREWS

	M8X17MM
	SPARE SCREW

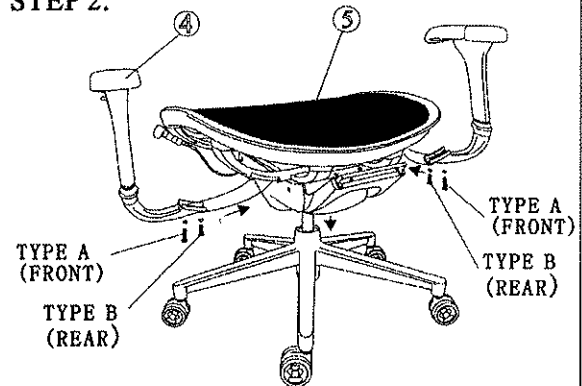
ALLEN WRENCH



### STEP 1.

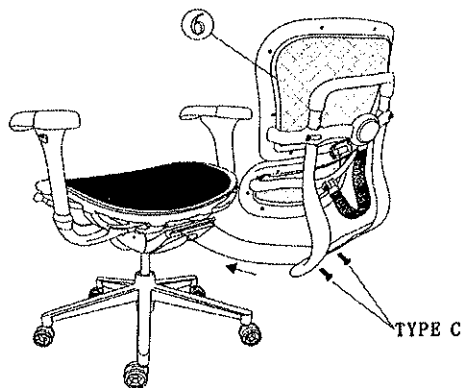


### STEP 2.



please follow step 2 closely:  
Type B shorter screw is for the hole closer to the mechanism.  
Type A longer screw is for the hole farther away from the mechanism

### STEP 3.



### STEP 4.



#### PREVENTIVE MAINTENANCE AND WARNING

- USE THIS PRODUCT ONLY FOR SEATING ONE PERSON AT A TIME.
- DO NOT USE CHAIR AS STEP STOOL/LADDER.
- DO NOT USE CHAIR UNLESS ALL BOLTS, SCREWS ARE TIGHT. AT LEAST EVERY SIX MONTHS CHECK ALL BOLTS, SCREWS TO BE SURE THEY ARE TIGHT.
- IF ANY PARTS ARE MISSING, BROKEN, DAMAGED OR WORN, STOP USE OF THE PRODUCT UNTIL REPAIRS ARE MADE USING FACTORY AUTHORIZED PARTS.
- FAILURE TO FOLLOW THESE WARNINGS CAN RESULT IN SERIOUS INJURY.

FOR ASSEMBLY ASSISTANCE CALL  
CUSTOMER SERVICE: 1-800-637-0005  
METRO NY: 1-516-481-9500  
9:00AM TO 5:00PM (EASTERN)