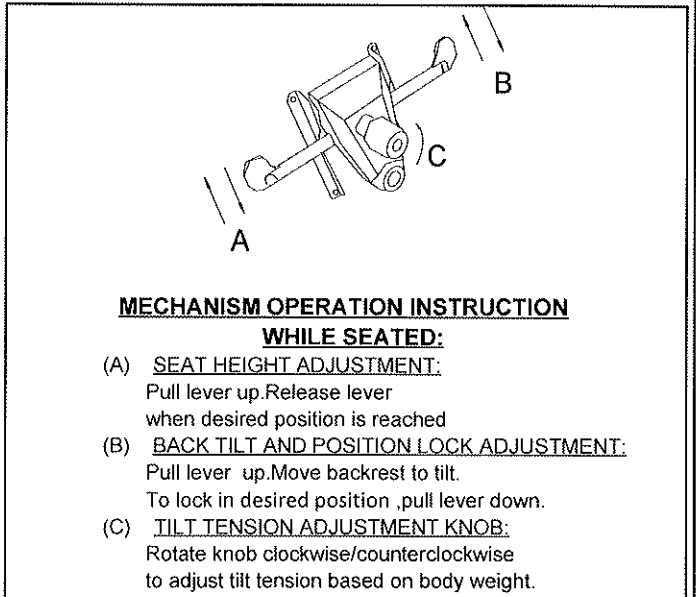
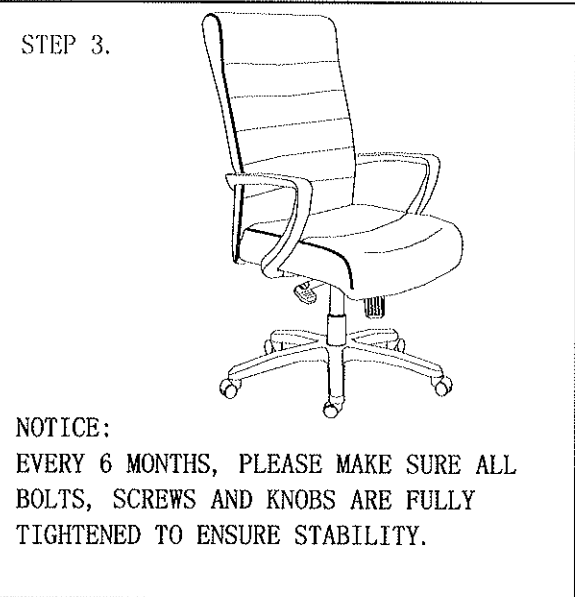
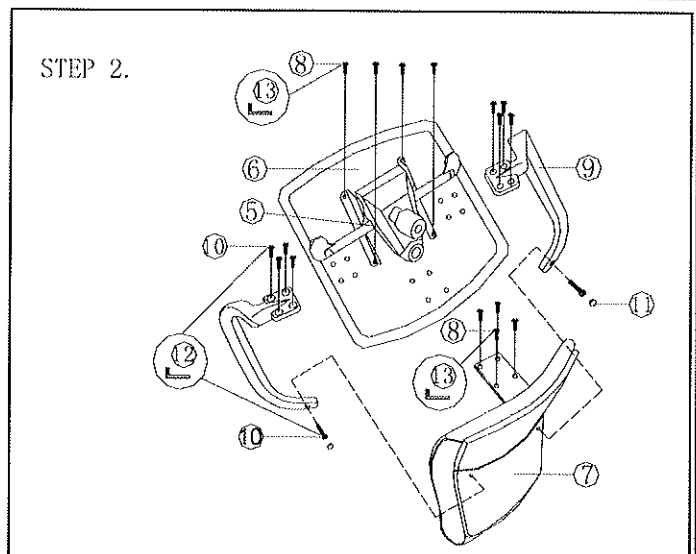
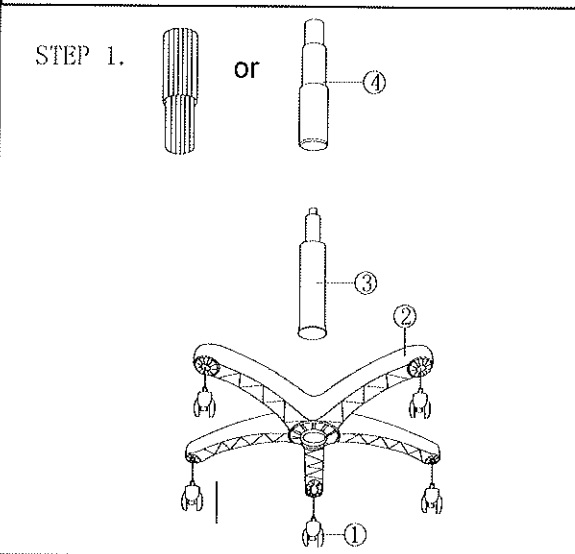


eurotech ASSEMBLY INSTRUCTION

Remove all items from the carton. Verify all pieces before assembly

PART LIST

1	5	Caster	7	1	Backrest	11	2	Arm screw caps
2	1	Base	8	8	Mechanism + Back attachment Screws (M8*25MM)	12	1	Allen Wrench (4mm)
3	1	Seat Post	9	2	Armrest	13	1	Allen Wrench (5mm)
4	1	Seat Post Cover	10	10	Armrest Screws (1/4"*1-1/4")			
5	1	Mechanism						
6	1	Seat						



PREVENTIVE MAINTENANCE AND WARNING!

- USE THIS PRODUCT ONLY FOR SEATING ONE PERSON AT A TIME.
- DO NOT USE THIS CHAIR AS A STEP STOOL/LADDER.
- DO NOT SIT ON ANY PART OF THE CHAIR EXCEPT THE SEAT.
- DO NOT USE CHAIR ON UNEVEN FLOOR SURFACES.
- DO NOT USE CHAIR UNLESS ALL BOLTS, SCREWS AND KNOBS ARE TIGHT.
- AT LEAST EVERY SIX MONTHS, CHECK ALL BOLTS, SCREWS AND KNOBS TO BE SURE THEY ARE TIGHT.
- IF ANY PARTS ARE MISSING, BROKEN, DAMAGED OR WORN, STOP USE OF THE PRODUCT UNTIL REPAIRS ARE MADE USING FACTORY AUTHORIZED PARTS.
- DISPOSE OF PACKAGING PROPERLY, PLASTIC BAG IS NOT A TOY. DO NOT USE PLASTIC BAG AS HEAD COVERING-IT MAY CAUSE SUFFOCATION.
- FAILURE TO FOLLOW THESE WARNINGS COULD RESULT IN SERIOUS INJURY.

LE150-MANCHESTER

KEEP THIS PAGE FOR FUTURE REFERENCE.