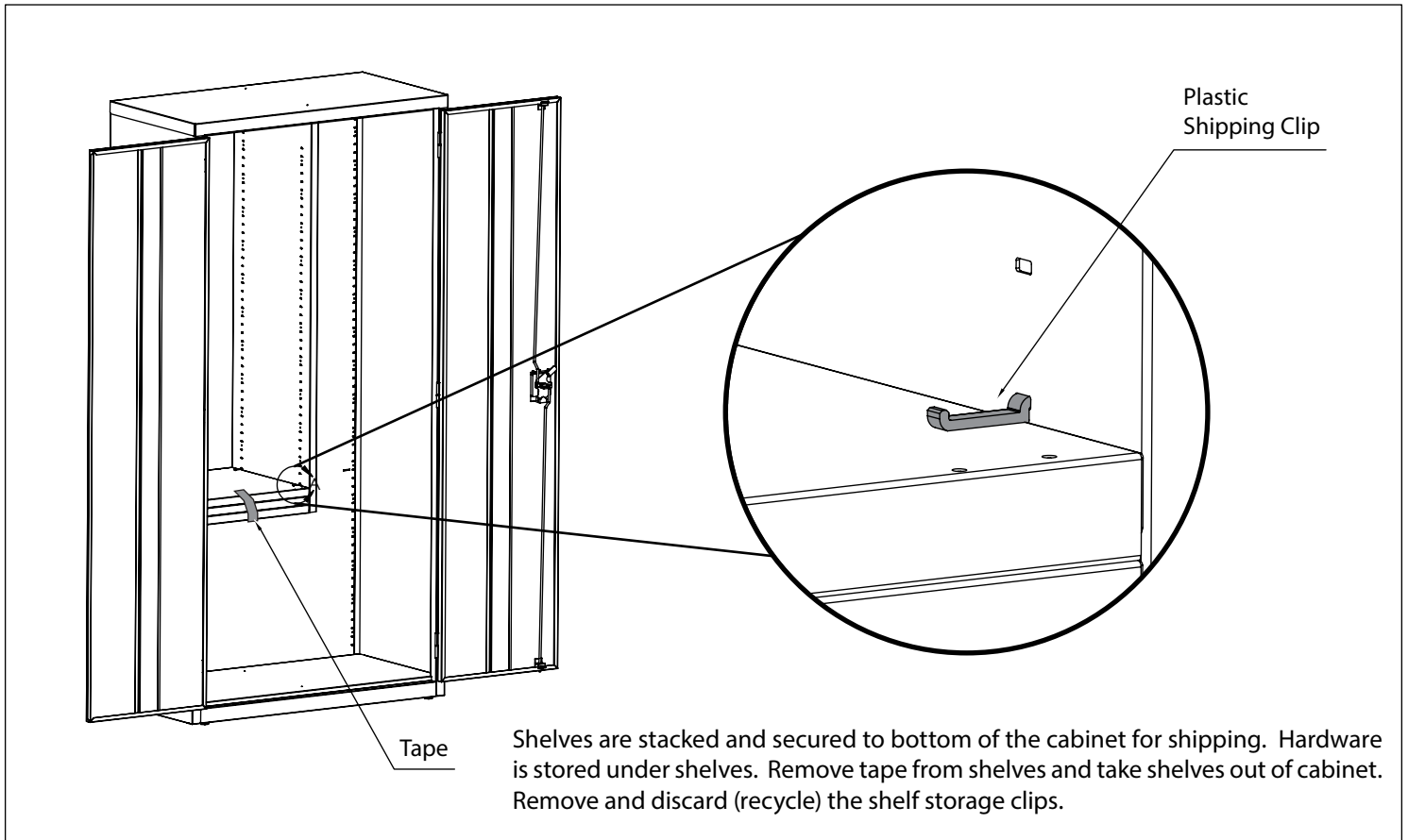


## 1- Packaging Removal



## 2 - Shelf Installation

