



Lotus™ Sit Stand Workstation



PLEASE READ INSTRUCTIONS BEFORE USE.
DO NOT DISCARD.

LIRE LES INSTRUCTIONS AVANT UTILISATION.
NE PAS JETER.

LEA LAS INSTRUCCIONES ANTES DEL USO.
NO TIRAR.

BITTE LESEN SIE DIE ANLEITUNGEN SORGFÄLTIG
DURCH, BEVOR SIE DAS GERÄT BENUTZEN.
BITTE GUT AUFBEWAHREN.

LEGGERE LE ISTRUZIONI PRIMA DELL'USO.
NON GETTARE.

LEES VÓÓR GEBRUIK DE INSTRUCTIES DOOR.
NIET WEGGOOIEN.

LÄS DESSA INSTRUKTIONER FÖRE ANVÄNDNING.
KASSERA EJ.

PRZED UŻYCIEM PROSZĘ PRZECZYTAĆ NINIEJSZĄ
INSTRUKCJĘ. NIE WYRZUCAĆ.

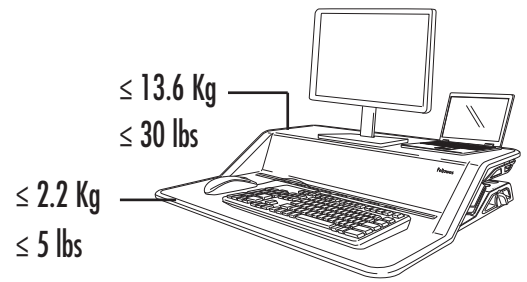
ПЕРЕД ИСПОЛЬЗОВАНИЕМ ПРОСЬБА ОЗНАКОМИТЬСЯ
С ИНСТРУКЦИЯМИ. НЕ ВЫБРАСЫВАТЬ.

LEIA AS INSTRUÇÕES ANTES DA UTILIZAÇÃO.
NÃO AS DEITE FORA.

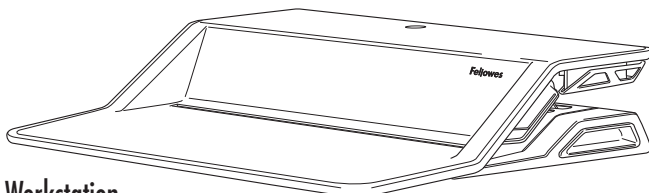
SAFETY INSTRUCTIONS/WARNING

Read and follow all instructions and warnings before use.

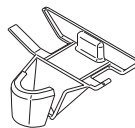
- **WARNING: PINCH POINT! KEEP HANDS CLEAR OF SUPPORT BARS DURING OPERATION. SERIOUS INJURY MAY OCCUR.**
- **DO NOT EXCEED MAXIMUM STATED WEIGHT CAPACITY. SERIOUS INJURY OR PROPERTY DAMAGE MAY OCCUR.**
- **CAUTION: Lift hazard! Two people are required to move workstation. Serious injury may occur.**
- Keep cables clear of support bars during operation, follow the cable routing instruction in this manual. Failure to follow these instructions may result in equipment damage or personal injury.
- **DO NOT lean on the keyboard platform.**
- **DO NOT adjust counter balance until all equipment and accessories have been placed on the workstation.**
- This product is spring assisted and should never be used with less than 10 lbs. (4.5kg) of weight. With caution, use both hands to push down slightly and engage both levers. Failure to do so may result in injury or property damage.
- Only compatible with Fellowes Monitor Arm Kit for Lotus.
- Make sure the desk or mounting surface is level and can support the combined weight of the workstation and accessories.
- Remove all equipment and accessories from the workstation before moving.
- Manufacturer certifies that product meets or exceeds applicable ANSI/BIFMA standards.
- Use Velcro if not using monitor arms. Velcro is single use.



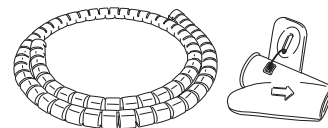
CONTENTS



Workstation



Cord Funnel



Cable zip/tool



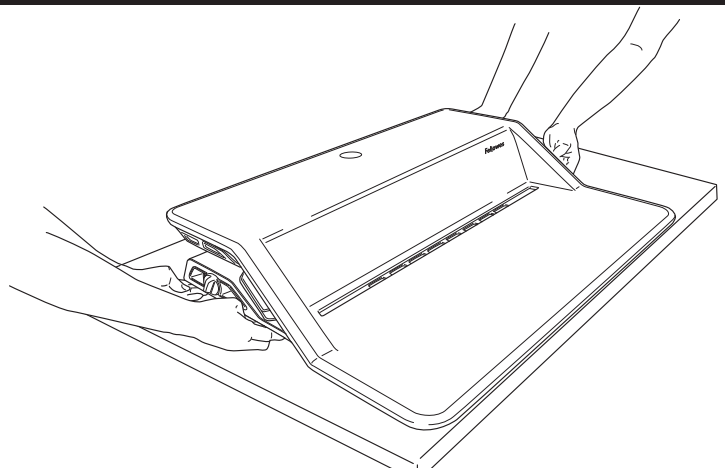
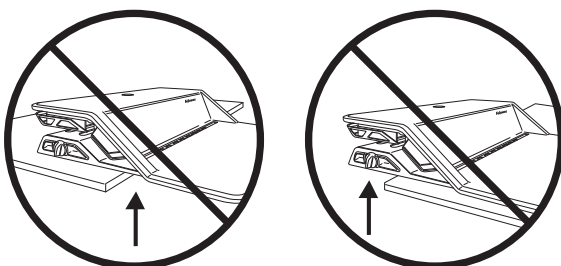
Velcro

Only compatible with Fellowes Monitor Arm Kit for Lotus. Visit www.Fellowes.com for more information.

SET-UP

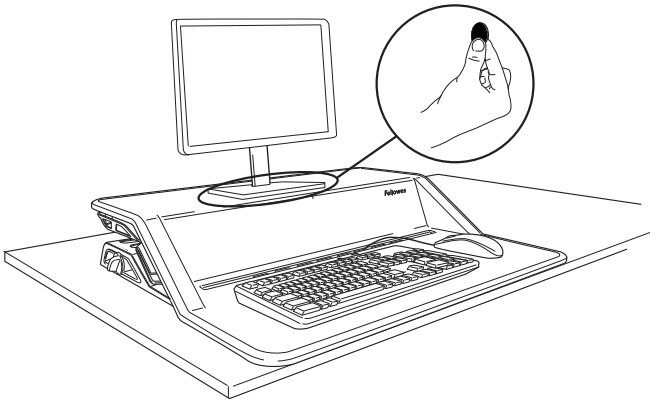
STEP 1

Use 2 people to place the sit stand on your desk. Be sure that the front edge of the keyboard platform aligns with the desk edge.



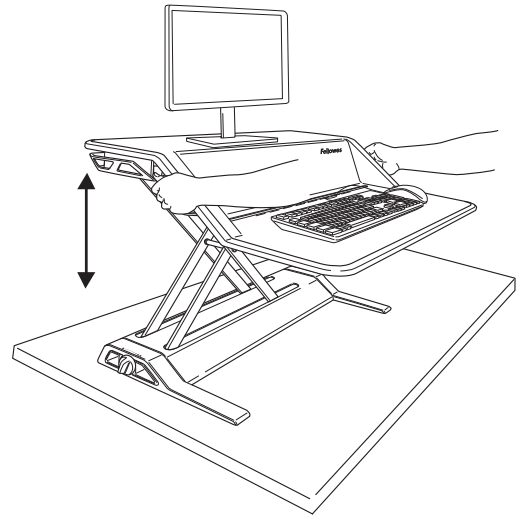
STEP 2

Place your monitor, keyboard and mouse on the workstation. Use the enclosed Velcro to secure the monitor(s) to the workstation. Leave the monitor cover plate in place unless using the Fellowes Monitor Arm Kit for Lotus.



STEP 3

Using both hands, push down slightly and engage both levers to raise the workstation to the highest position.

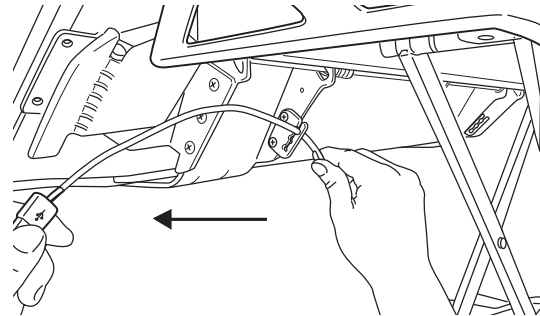
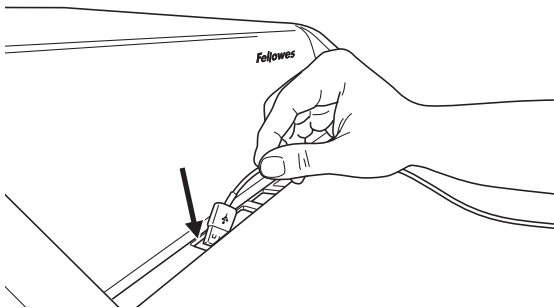


CORD MANAGEMENT

Ensure the workstation is at the highest position. Follow all cord routing instructions to ensure cables are not pinched by the support bars. Make sure the cables are long enough to accommodate the full range of motion (17"/432mm).

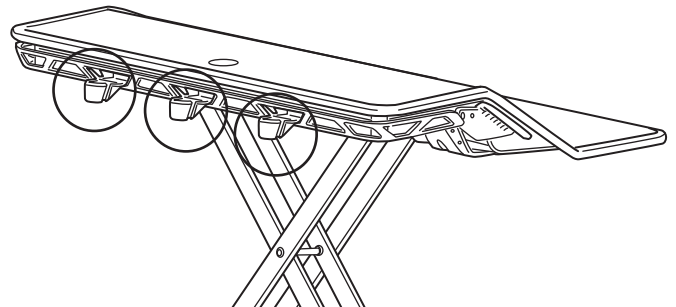
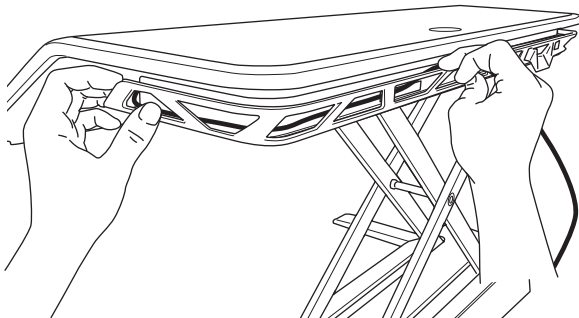
STEP 1

Route the keyboard and mouse cords through the opening in the keyboard platform. Be sure to anchor the cords with the clip on the underside of the platform. Failure to follow these instructions may result in equipment damage or personal injury.



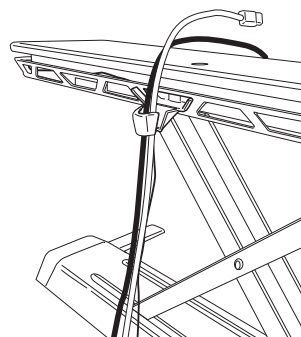
STEP 2A

Continue routing the cords around the workstation through the cord channel to the rear. Insert the cord funnel in 1 of 3 locations on the cord channel. Choose the location that will best accommodate your setup.



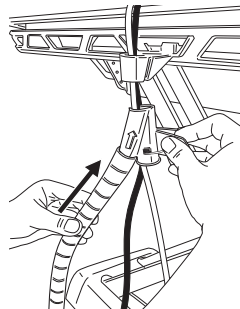
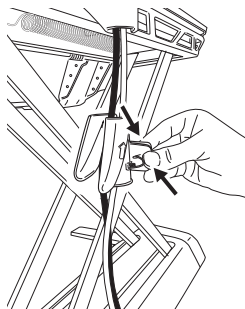
STEP 2B

Route all cords, including the monitor cords through the cord funnel.

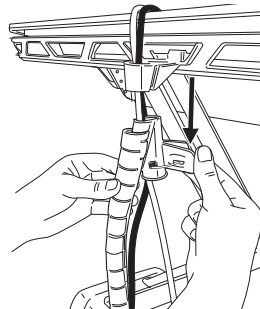


STEP 3

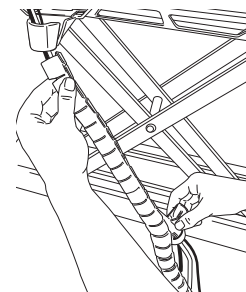
Gather all cords, including the monitor cords. Apply the cable zip using the provided tool.



Push the Cable Zip upward into the Cable Zip Tool.

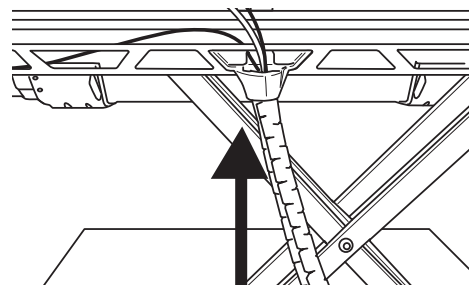


Pull down on the Cable Zip tool while holding the top of the Cable Zip.



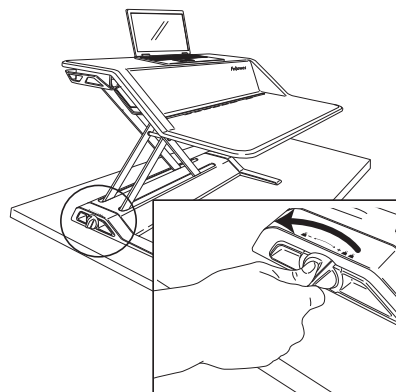
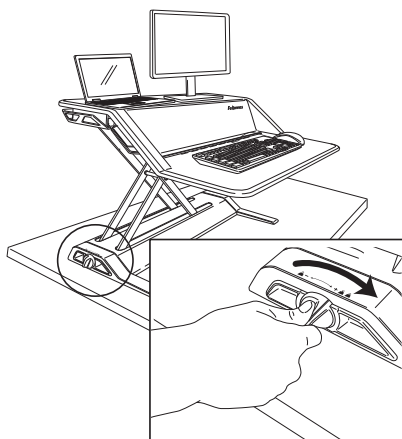
STEP 4

Slide the end of the cable zip into the cord funnel to lock into place.



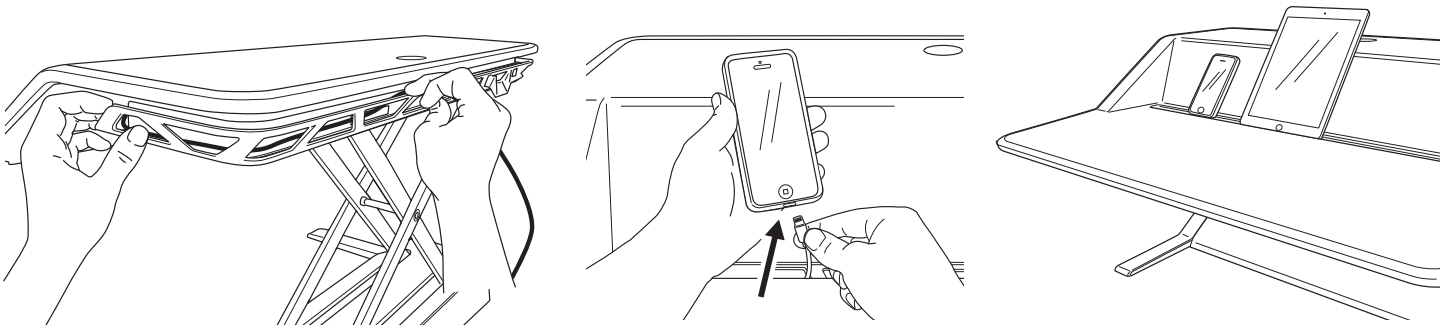
TENSION ADJUSTMENT

Patent pending Smooth Lift Technology™ makes it effortless to raise and lower your sit-stand. Place items onto the workstation and raise up to the highest position. Lotus is shipped at the lowest setting which will help offset 10lbs/4.5kg. Turn the knob clockwise to offset heavier weights, up to 29 full rotations to offset 35lbs/15.8kg. As a guideline, approximately 10 full rotations are needed to offset a dual monitor setup. The exact number of rotations depends on your personal comfort. Once you have properly adjusted the Lotus, it should feel effortless to raise and lower.

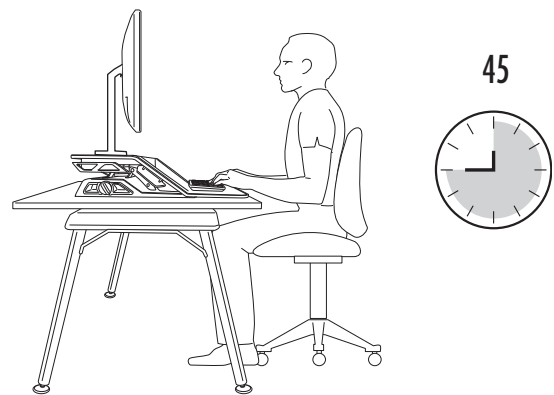
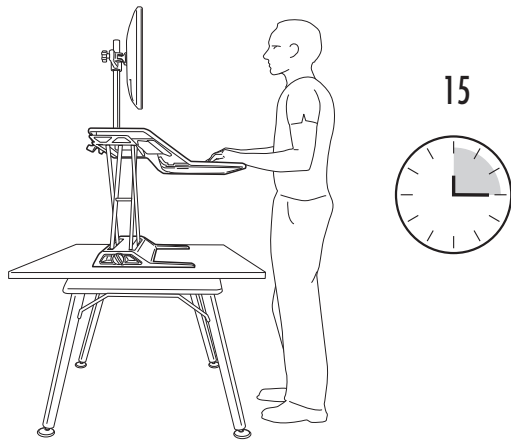


DEVICE STAND/CHARGING SLOT

Route a charging cable through the cord management system to charge your device while viewing.



USAGE GUIDELINES



FELLOWES LOTUS™ SIT STAND WORKSTATION 3 YEAR LIMITED WARRANTY

Fellowes, Inc. (the "Company") warrants this product to be free from defects in material and workmanship appearing within 3 years from the date of the original purchase of the product. If such a defect appears during the warranty period, the Company will (at its sole option) either repair or replace the defective product with no charge for service or parts or refund the purchase price.

This warranty applies only to the initial retail purchaser and does not cover claims resulting from misuse, failure to follow instructions on installation and use, neglect, use of unauthorized attachments, commercial use, use on a current or voltage other than specified on the product, or unauthorized service during the warranty period on conditions otherwise covered by the warranty.

THE DURATION OF ANY IMPLIED WARRANTIES, INCLUDING BUT NOT LIMITED TO ANY IMPLIED WARRANTIES OF MERCHANTABILITY OR FITNESS FOR A PARTICULAR PURPOSE, IS EXPRESSLY LIMITED TO THE DURATION OF THIS LIMITED WARRANTY.

UNLESS REQUIRED BY APPLICABLE LAW, THE CUSTOMER'S EXCLUSIVE REMEDY FOR BREACH OF THIS WARRANTY OR ANY IMPLIED WARRANTY OR OF ANY OTHER OBLIGATION ARISING BY OPERATION OF LAW OR OTHERWISE SHALL BE LIMITED AS SPECIFIED HEREIN TO REPAIR, REPLACEMENT OR A REFUND OF THE PURCHASE PRICE, AT THE COMPANY'S SOLE OPTION.

UNDER NO CIRCUMSTANCE WILL THE COMPANY, ITS AFFILIATES, SUBSIDIARIES, RELATED ENTITIES, RESELLERS OR THEIR RESPECTIVE OFFICERS, DIRECTORS OR EMPLOYEES OR THOSE PERSONS FOR WHOM THEY ARE BY LAW RESPONSIBLE, BE LIABLE FOR CONSEQUENTIAL OR INCIDENTAL DAMAGES SUSTAINED IN CONNECTION WITH THE PRODUCT. THE COMPANY AND THESE OTHER PARTIES DO NOT ASSUME OR AUTHORIZE ANY REPRESENTATIVE OR OTHER PERSON TO ASSUME FOR ANY OF THEM ANY OBLIGATION OR LIABILITY OTHER THAN AS IS EXPRESSLY SET FORTH HEREIN.

The duration, terms and conditions of this warranty are valid worldwide, except where different limitations, restrictions or conditions may be required by local law.

Australia Residents Only:

Our goods come with guarantees that cannot be excluded under the Australian Consumer Law. You are entitled to a replacement or refund for a major failure and for compensation for any other reasonably foreseeable loss or damage. You are also entitled to have the goods repaired or replaced if the goods fail to be of acceptable quality and the failure does not amount to a major failure. The benefits under Fellowes' Warranty are in addition to other rights and remedies under a law in relation to the machine.



CUSTOMER SERVICE & SUPPORT

www.fellowes.com

U.S.: 1-800-955-0959

Europe Freephone: 00800-1810-1810

Canada: 1-800-665-4339

Mexico: 001-800-514-9057

Benelux: +31-(0)-13-458-0580

Deutschland: +49 (0)511 545489-0

France: +33 (0) 1 78 64 91 00

Italia: +39-071-730041

Polska: +48-(22)-2052110

España/Portugal: +34-91-748-05-01

United Kingdom: +44 (0) 1302 836800

Australia: 1-800-33-1177