

INSTRUCTIONS FOR ASSEMBLING SMOOTH POST SLEEVE TO ROUND BOLLARD POST USING FOAM TAPE

#1743PS: #1743 4"x36" BOLLARD, #1735-36 SLEEVE, & #1739 KIT

#1744PS: #1744 4"x42" BOLLARD, #1735-42 SLEEVE, & #1739 KIT

#1763PS: #1763 6"x36" BOLLARD, #1736-36 SLEEVE, & #1739 KIT

#1764PS: #1764 6"x42" BOLLARD, #1736-42 SLEEVE, & #1739 KIT

1. Place bollard post in normal upright position as shown in side view.

2. Install the first foam piece to bollard post in position A as shown in both top and side views.

Position the strip properly as shown, with the protective paper backing side toward the post. Remove the paper backing from foam, being careful to leave adhesive attached to foam. A suggested method is to slowly and carefully push foam away from paper backing at the end of the foam strip.

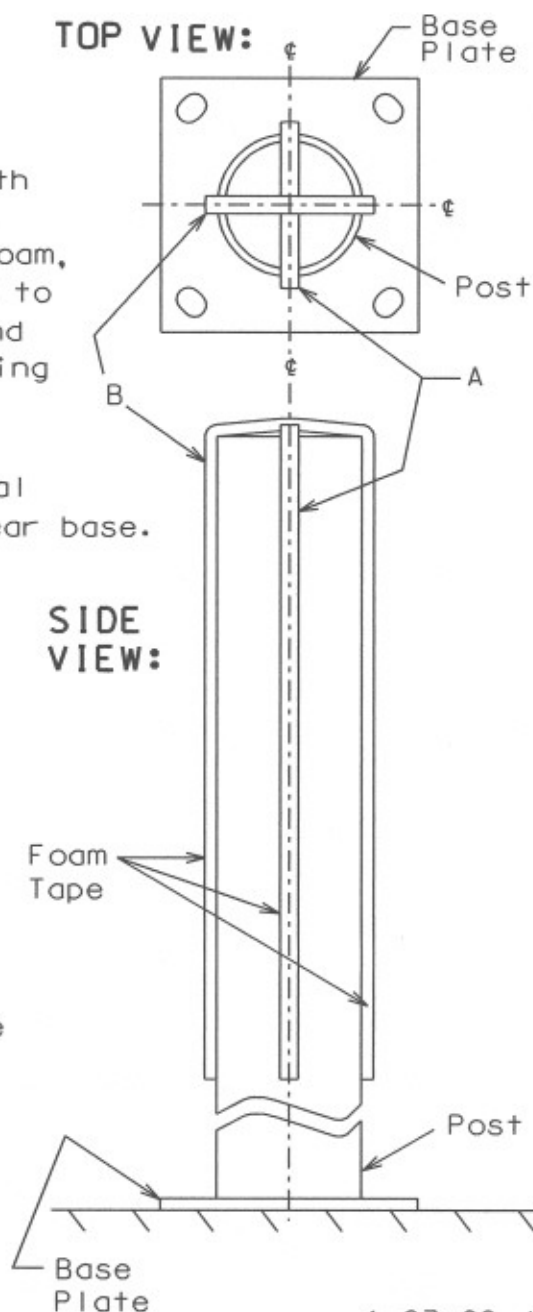
Press it against vertical sides of post. Foam should extend down each side an equal length. On 36" bollard, cut off strips near base.

3. Then install the second foam piece to bollard post in position B as shown.

Position B strip will be on top of position A strip at the top center of bollard post and 90° from it.

Use same procedure as step 2 above.

4. Hold post sleeve vertical and parallel to bollard post and carefully slide open end down over top of bollard continuing down to base plate. Note that post sleeve is not shown on these drawings.



EAGLE MANUFACTURING COMPANY
2400 CHARLES ST.
WELLSBURG, WV 26070
www.eagle-mfg.com

1-27-09.JGG
rev.5-13-09