



# INSTRUCTION MANUAL

FOR ECONOMY PORTABLE DRUM

LIFTER/ROTATOR/TRANSPROTTER

**MODELS COVERED: DRUM-LRT-EC, DRUM-LRT-ESJ**



DRUM-LRT-ESJ

DRUM-LRT-EC



**NOTE:** Owner and operator must read and understand this instruction manual before operation.

THANK YOU FOR USING THIS DRUM STACKER. FOR YOUR SAFETY AND CORRECT OPERATION, PLEASE CAREFULLY READ THIS INSTRUCTION BEFORE USING IT. ONLY THOSE WHO HAVE BEEN TRAINED AND AUTHORIZED CAN OPERATE THIS DRUM STACKER.

**NOTE:** All of the information reported herein is based on data available at the moment of printing. The factory reserves the right to modify its own products at any moment without notice and incurring in any sanction. So it is suggested to always verify possible updates.

## 1 Safety Rules

**Warning:** Infringe the safety rules and operation instructions in this manual may cause serious injuries or even death.

1.1 It is forbidden to operate this machine unless:

1) You have learned and obeyed all the safety rules in this manual.

- Avoid causing personal accident.
- Always make a check before operation.
- Make functional test before use.
- Check the working place.
- Only use it to convey, lift, revolve and tilt the drum.

2) You read, understand and obey

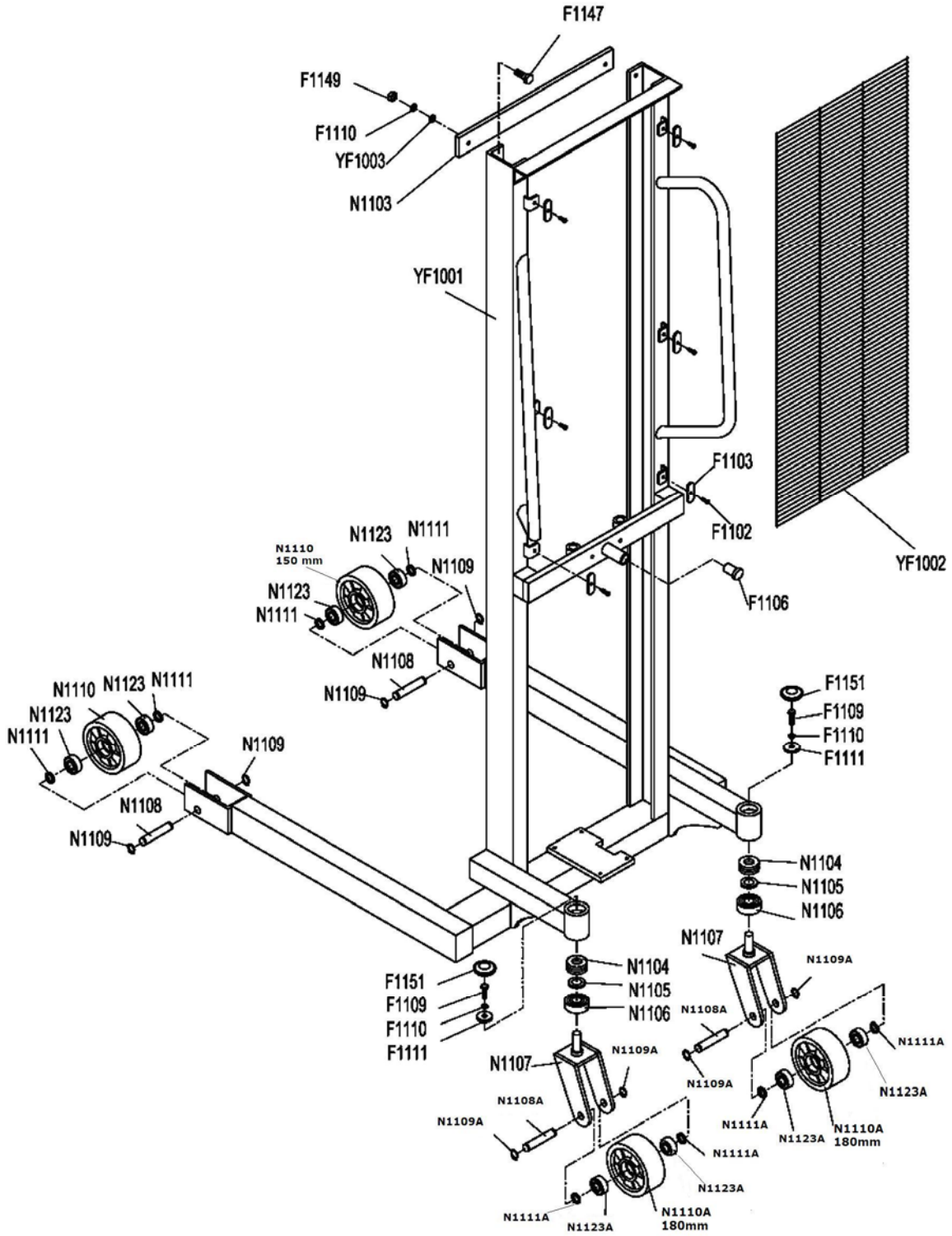
- Guides and safety rules of the manufacturer
- Safety rules of workers and regulations of working place
- Proper government ordinances

1.2 You should obey the following rules to avoid causing personal accident:

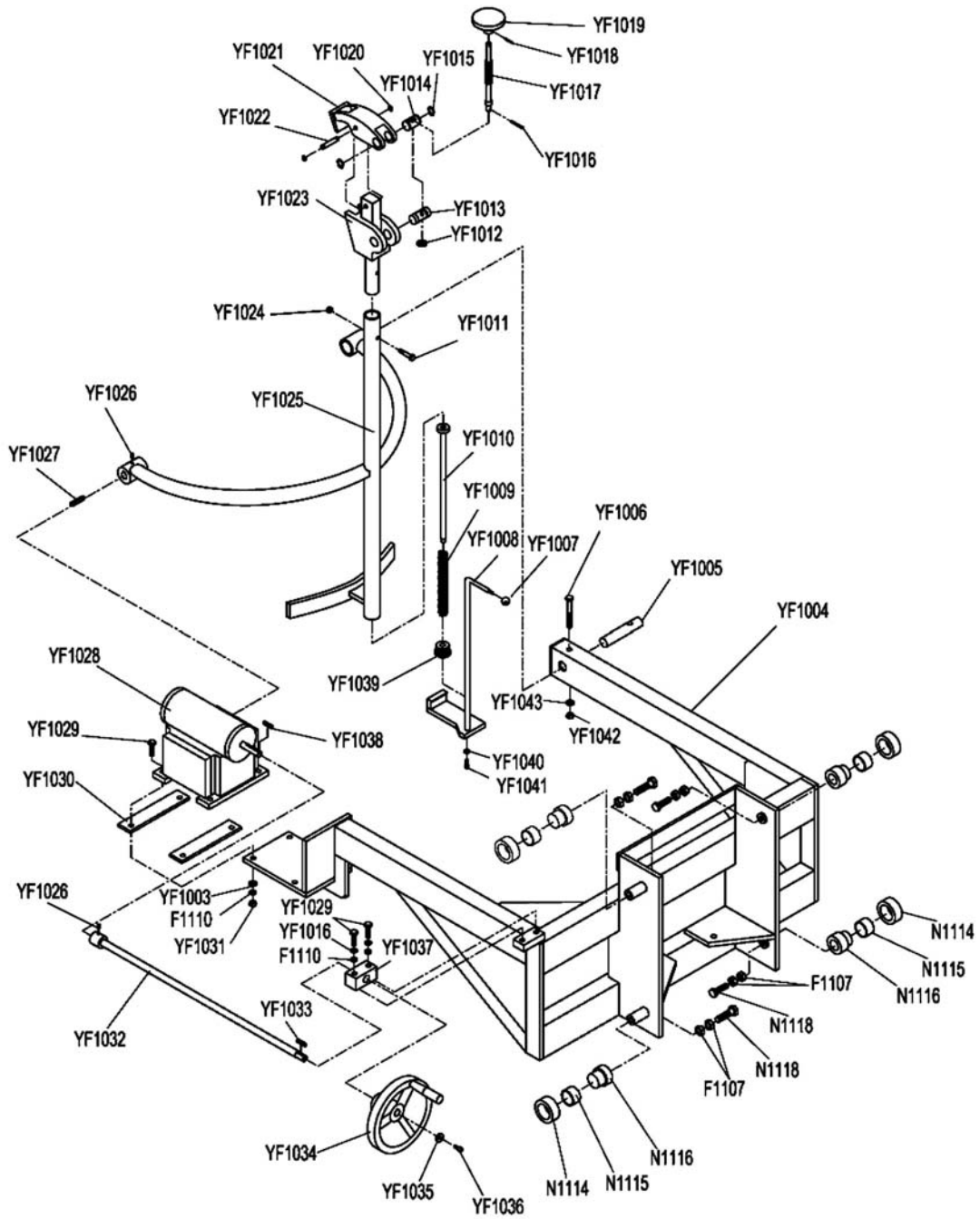
- It is forbidden to use it as a platform or ladder to lift persons.
- Only use it to convey, lift, revolve and tilt the drum.
- Only use it on a firm and level ground.
- Check for drop-offs, pits, barriers, debris, unstable ground and other dangerous conditions at the working place before the operation.
- It is forbidden to bear the machine or the drum of horizontal force during the operation process.
- Collision injury
  - Check whether there are some barriers or other possible dangers at the top of working place.
  - It is forbidden for the operator or other persons to stand under the machine when lifting or tilting the drum.
  - It is forbidden to lower the load unless there is no person or barrier under the load.
- Personal accident  
Always keep your hands, feet and other body parts away from the clamping points, sliding guide or other pressure points.
- Injury caused by misuse  
It is forbidden to lift or transport the load unless all clamps have fixed the drum firmly.  
Lift or lower the load at a uniform speed and slowly. Sudden start or stop is forbidden.  
Faulty methods of operating the machine may cause accidents
- Injury caused by machine fault  
Never operate a faulty or damaged machine.  
Make a thorough check before the operation every time.  
Make sure all the markings are intact and correct.

# 4 Exploded View & Part List

Type: DA40A  
Carriage assembly



## Sliding guide assembly



Part No.	Description	Qty	Part No.	Description	Qty
YF1001	Carriage	1	YF1035	Gasket	1
YF1002	Net	1	YF1036	Screw	1
YF1003	Washer	14	YF1037	Seat	1
YF1004	Sliding guide assembly	1	YF1038	Flat key	1
YF1005	Supporting axle	1	YF1039	Sealing screw	1
YF1006	Bolt	1	YF1040	Gasket	1
YF1007	Ball	1	YF1041	Screw	1
YF1008	Joystick	1	YF1042	Locknut	1

YF1009	Spring	1	N1104	Bearing 8304	2
YF1010	Top axle assembly	1	N1105	Spacing ring	2
YF1011	Bolt	1	N1106	Bearing 60203	2
YF1012	Washer	2	N1107	Rear wheel bracket	2
YF1013	Supporting axle	1	N1108A	rear wheel axle	4
YF1014	Nut axle	1	N1109A	Check ring	8
YF1015	Check ring	2	N1110A	Rear wheel (180 mm)	2
YF1016	Split pin	1	N1111A	Washer	8
YF1017	Screw rod Tr16x4	1	N1108	Front wheel axle	2
YF1018	Taper bolt	1	N1109	Check ring	8
YF1019	Handwheel	1	N1110	front wheel (150 mm)	4
YF1020	Check ring	2	N1111	Washer	8
YF1021	Upper clamp	1	N1114	Pulley	4
YF1022	Pin axle	1	N1115	Pulley bush	4
YF1023	Lower clamp	1	N1116	Shaft housing	4
YF1024	Locknut	1	N1118	Bolt	4
YF1025	Rotating stand	1	N1123A	Rear wheel bearing	8
YF1026	Screw	2	N1123	Front wheel bearing	8
YF1027	Flat key	1	F1102	Screw	6
YF1028	Transmission	1	F1103	Spacing piece	6
YF1029	Bolt	6	F1106	Rubber pad	1
YF1030	Plate	2	F1107	Nut	8
YF1031	Nut	4	F1109	Bolt	2
YF1032	Handwheel axle	1	F1110	Gasket	4
YF1033	Flat key	1	F1111	Washer	2
YF1034	Handwheel	1	F1147	Bolt	2
YF1043	Washer	1	F1149	Nut	2
N1103	Stop plate	1	F1151	Dust cap	2

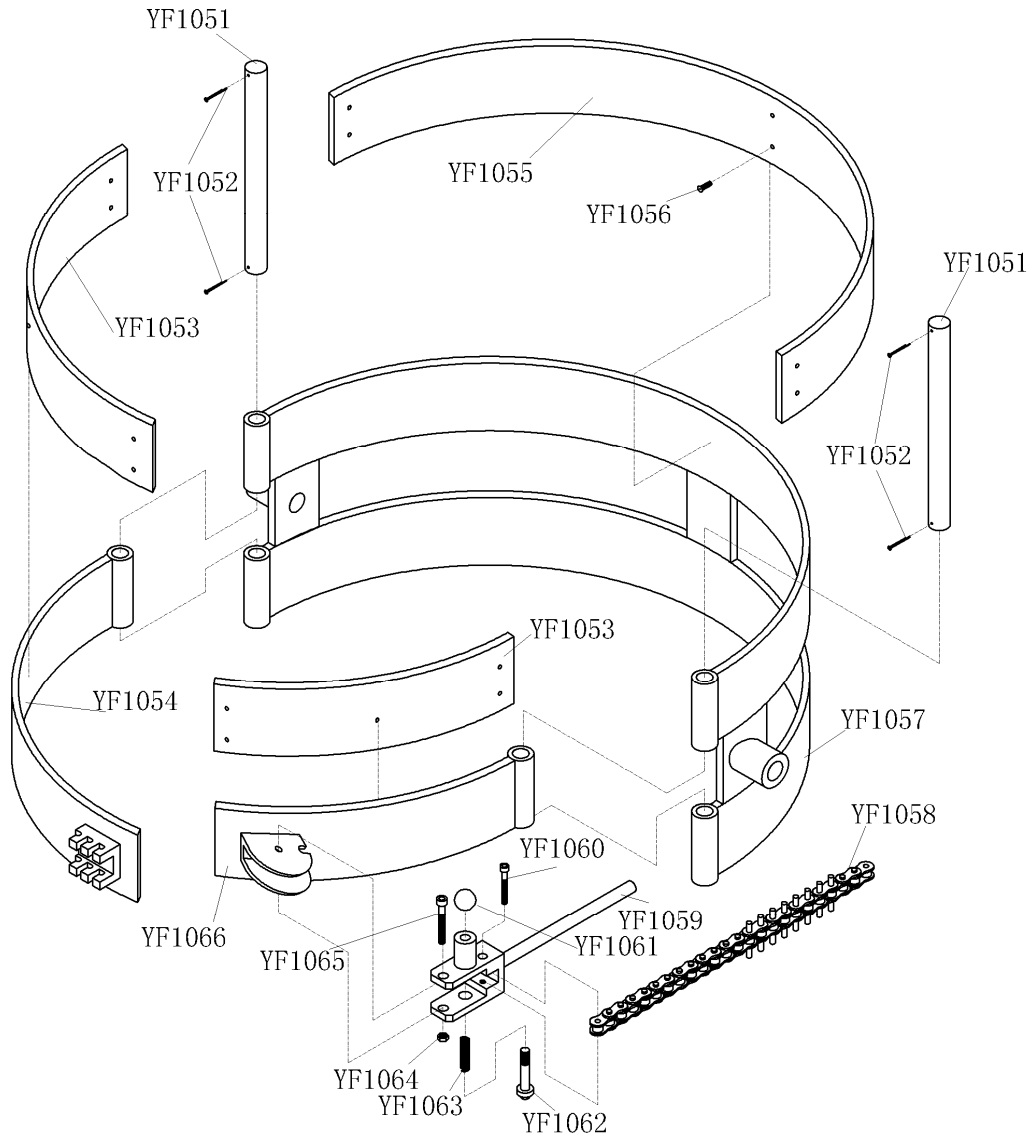
**Type: DA40B**

**Carriage assembly**

See carriage assembly of DA40A.

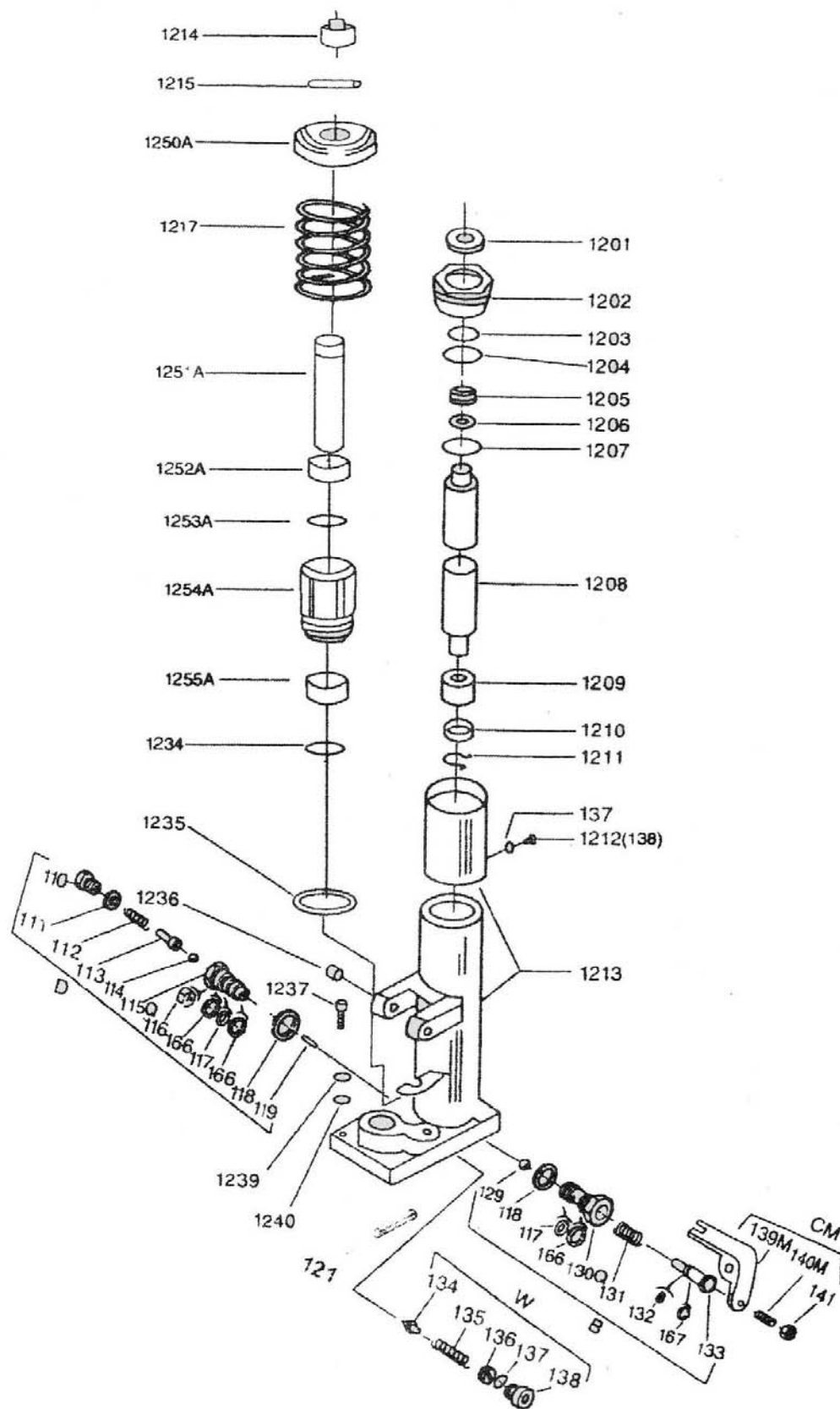
**Notes:** The structure of DA40B carriage assembly is the same as DA40A. You can refer to contents of DA40A above.

**Sliding guide assembly**



Part No.	Description	Qty	Part No.	Description	Qty
YF1051	Pin axle	2	YF1059	Clamping rod	1
YF1052	Split pin 2.5x22	4	YF1060	Screw M5x40	1
YF1053	Small pad	2	YF1061	Ball M8x25	1
YF1054	Right movable arm	1	YF1062	Locating pin	1
YF1055	Big pad	2	YF1063	Spring	1
YF1056	Screw M5x12	22	YF1064	Locknut	1
YF1057	Fixed arm	1	YF1065	Screw M5x12	1

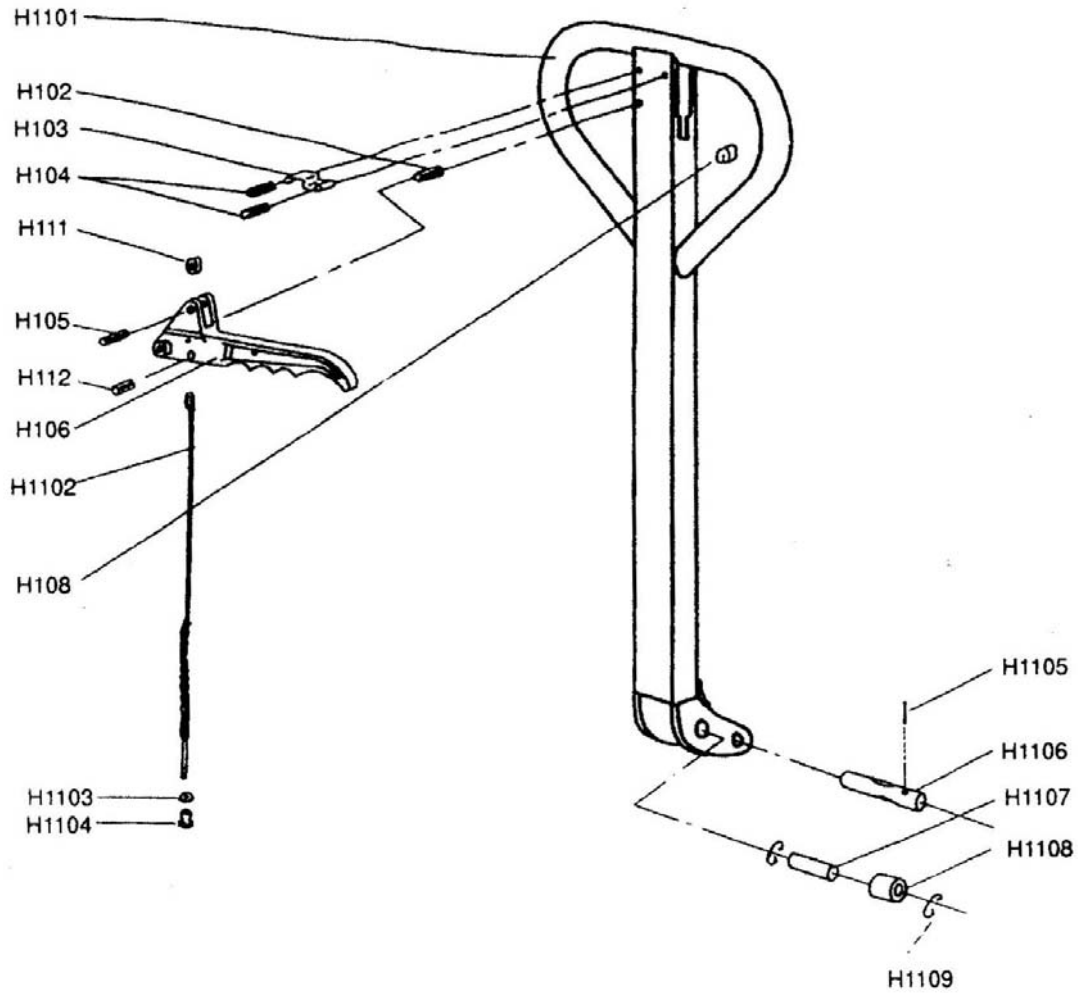
YF1058	Chain 10A-1x12	1	YF1066	Left movable arm	1
--------	----------------	---	--------	------------------	---





**Parts List of Pump Unit (Standard)**

<b>Parts No.</b>	<b>Description</b>	<b>Q'ty</b>	<b>Parts No.</b>	<b>Description</b>	<b>Q't</b>
1201	Dust proof ring	1	1255A	Seal ring	1
1202	Cylinder	1	110	Screw	1
1203	O-ring	1	111	Red copper	1
1204	O-ring	1	112	Spring	2
1205	Seal ring	1	113	Pressure rod	1
1206	Spacing washer	1	114	Steel ball	1
1207	O-ring	1	115Q	Pressure valve	1
1208	Rod	1	116	Split ring	1
1209	Guide casing	1	166	Retainer	1
1210	Washer	1	117	O-ring	1
1211	Retaining ring	1	118	Red copper	2
1212	Screw	Each	119	Steel needle	1
1213	Welded bond	1	121	Spring pin	1
1214	Pressure bond	1	129	Steel ball	1
1215	Spring pin	1	130Q	Discharge valve	1
1217	Spring	1	131	Spring	1
1234	O-ring	1	132	O-ring	1
1235	Red copper	1	167	Retainer	1
1236	Bushing	2	133	Discharge valve	1
1237	Bolt	4	134	Valve taper core	1
1239	Spring washer	4	135	Spring	1
1240	Plain washer	4	136	Pressure	1
1250A	Spring cover	1	137	O-ring	1
1251A	Pump plug	1	138	Screw	1
1252A	Dust proof ring	1	139M	Crank link	1
1253A	O-ring	1	140M	Setting screw	1
1254A	Pump body	1	141	Nut	1



### Parts List of Handle

Parts No.	Description	Q'ty	Parts No.	Description	Q'ty
H1101	Handle	1	H1102	Spring pin	1
H1102	Rod and chain	1	H1103	Spring leaf	1
H1103	Nut	1	H1104	Spring pin	2
H1104	Nut	1	H1105	Spring pin	1
H1105	Spring ring	1	H1106	Control level	1
H1106	Pin	1	H1108	Rubber cushion	1
H1107	Axle	1	H1111	Nylon roller	1
H1108	Steel roller	1	H1112	Spring pin	1
H1109	Retaining ring	2			

Keep normal maintenance on the head parts of the clamps.

## 2 Checks Before Operation

Operator should make visual check on the machine before every shift work.

2.1 Make sure the operation manual is a complete and effective edition.

2.2 Make sure all the markings are intact, correct and properly affixed.

2.3 Check the following parts whether they are damaged or improper installed or have some parts loosen and lost.

- Hydraulic system and relative parts
- Clamping parts
- Front & rear wheels
- Carriage
- Nuts, bolts and other fastening parts

2.4 check the machine on:

- Impression or damage
- Clamping parts wearing or damage
- Corrosion or oxidation
- Welding seams or cracks

## 3 Functional Test

Operators must make functional tests on drum stackers of different kinds of functions. Only when the tests are eligible, can they be put into service.