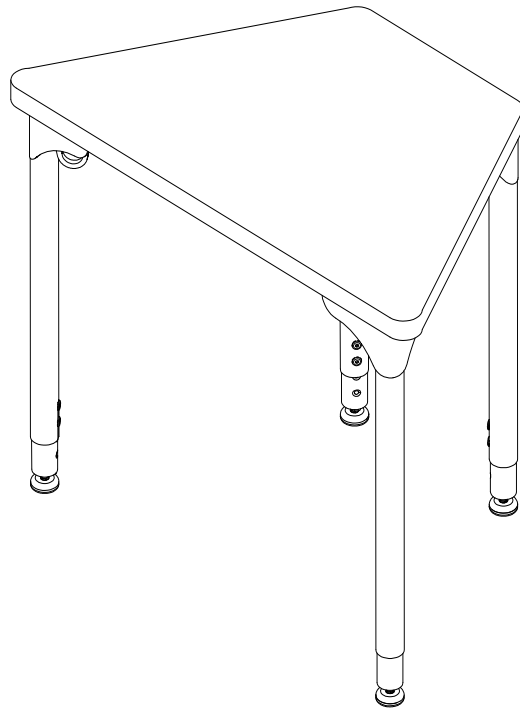




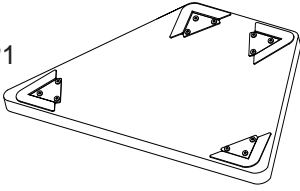
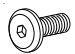



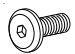



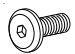



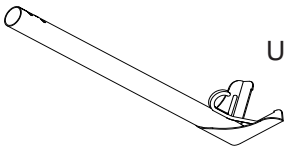
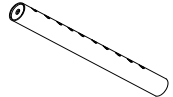
# Student Desk

## Assembly Instructions



# Assembly Instructions

# Student Desk

Part	Drawing	Description	Qty	Part	Drawing	Description	Qty																
P1		Table Top	1 EA	<div style="border: 1px solid black; border-radius: 15px; padding: 10px;"> <p style="text-align: center;"><b>Hardware List</b></p> <table style="width: 100%; border-collapse: collapse;"> <tr> <td style="width: 5%;">A</td> <td style="width: 15%;"></td> <td style="width: 60%;">M6*12mm Screw</td> <td style="width: 20%;">8 EA</td> </tr> <tr> <td>B</td> <td></td> <td>Glide</td> <td>4 EA</td> </tr> <tr> <td>C</td> <td></td> <td>Allen Wrench</td> <td>1 EA</td> </tr> <tr> <td>D</td> <td></td> <td>Leg Secure Screws</td> <td>8 EA</td> </tr> </table> </div>				A		M6*12mm Screw	8 EA	B		Glide	4 EA	C		Allen Wrench	1 EA	D		Leg Secure Screws	8 EA
A		M6*12mm Screw	8 EA																				
B		Glide	4 EA																				
C		Allen Wrench	1 EA																				
D		Leg Secure Screws	8 EA																				
P2		Upper Leg	4 EA																				
P3		Insert Leg	4 EA																				

*We recommend that you assemble this unit on a table.*

**Missing Parts or UPS Damaged Parts**

For Your Convenience you can  
EMAIL us at

**[support@moorecoinc.com](mailto:support@moorecoinc.com)**

**24HOURS 7 DAYS A WEEK**

***Should you require assistance during assembly,***

***please call our Customer Service Department***

***Monday - Friday 8 a.m. - 5 p.m.***

***Central Standard Time 1-800-749-2258***

Do not use unless all screws are tight. At least every six months, check all screws to be sure they are tight. If parts are missing, broken, damaged, or worn, stop use of the product until repairs are made by your dealer using factory authorized parts.

# Student Desk

## Assembly Instructions

**READ THROUGH INSTRUCTIONS FROM BEGINNING TO END BEFORE STARTING TO ASSEMBLE UNIT.**

- 1.) Identify and separate all the parts and hardware.
- 2.) Place the Table Top (P1) face down on a padded surface. Slide one of the Upper Leg (P2) under the wing flanges on one of the top mount plates that are attached to the bottom of the Table Top (P1) as shown in Illustration #1.

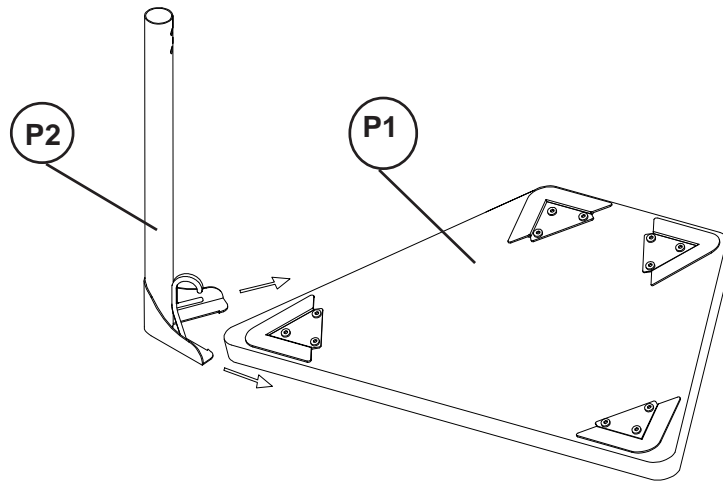


Illustration # 1

- 3.) Use a rubber hammer to tap the Upper Leg (P2) the final distance to lock the leg onto the top mount plate. Repeat Step # 2 and Step # 3 to install all Upper Legs (P2).

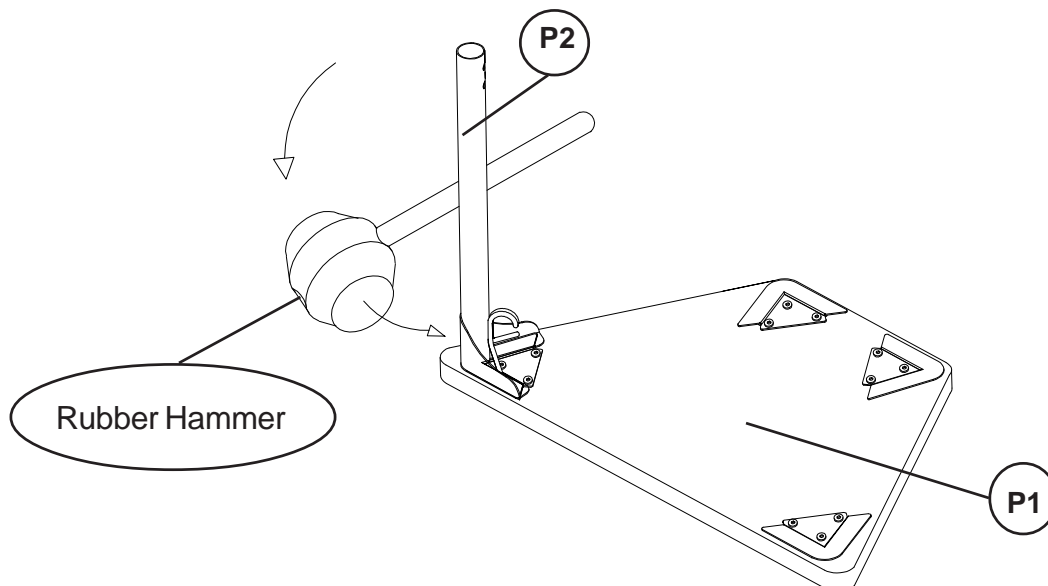
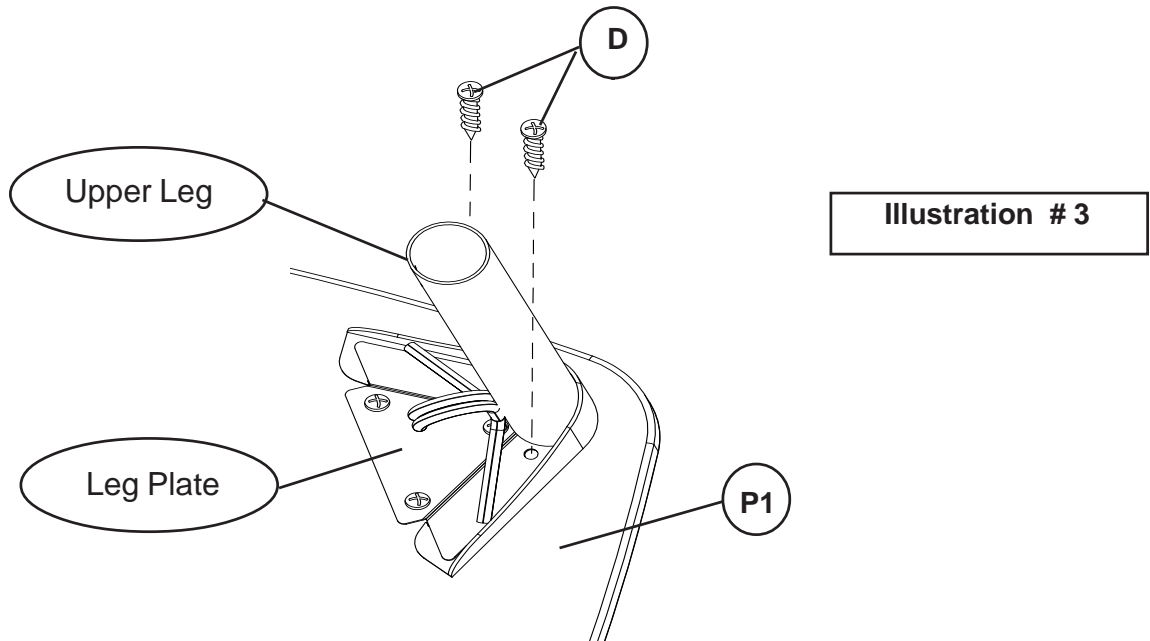


Illustration # 2

- 4.) With the holes aligned in the Upper Legs and the Leg Plates, secure each Upper Leg assembly to the bottom side of the Table Top (P1) using two Leg Secure Screws (D) as shown in illustration #3.



- 5.) Screw in a Glide (B) into the threaded hole in the bottom of each Insert Leg (P3). Place an Insert Leg (P3) into each Upper Leg (P2) and secure using two Screws (A) at your desired height as shown in Illustration # 4. Tighten the Screws (A) using Allen Wrench (C).

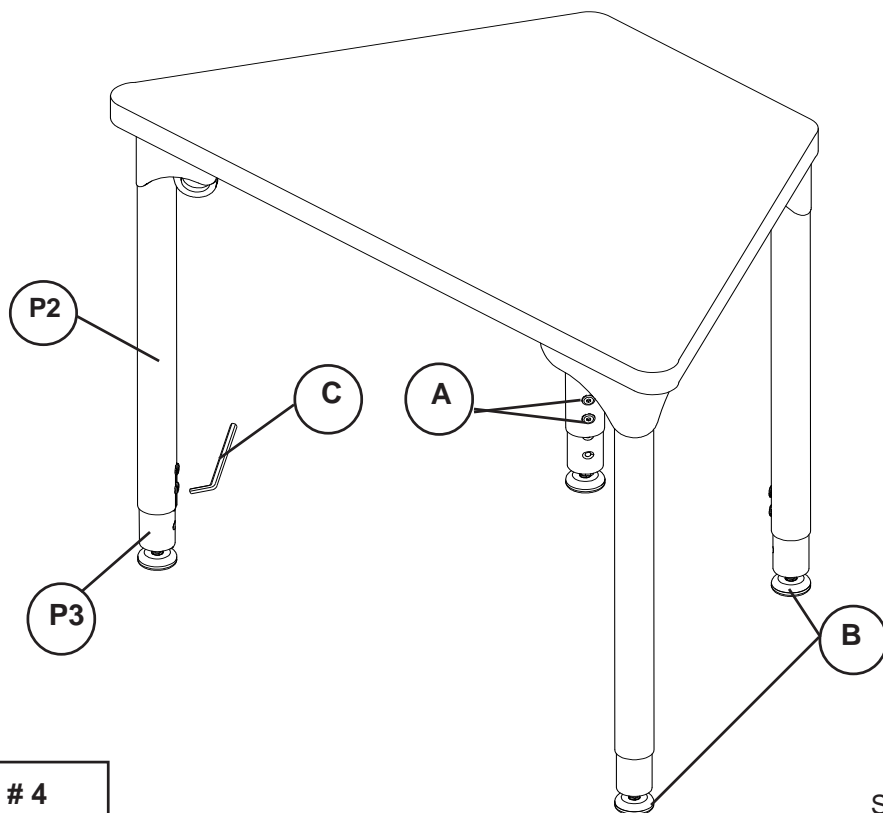


Illustration # 4