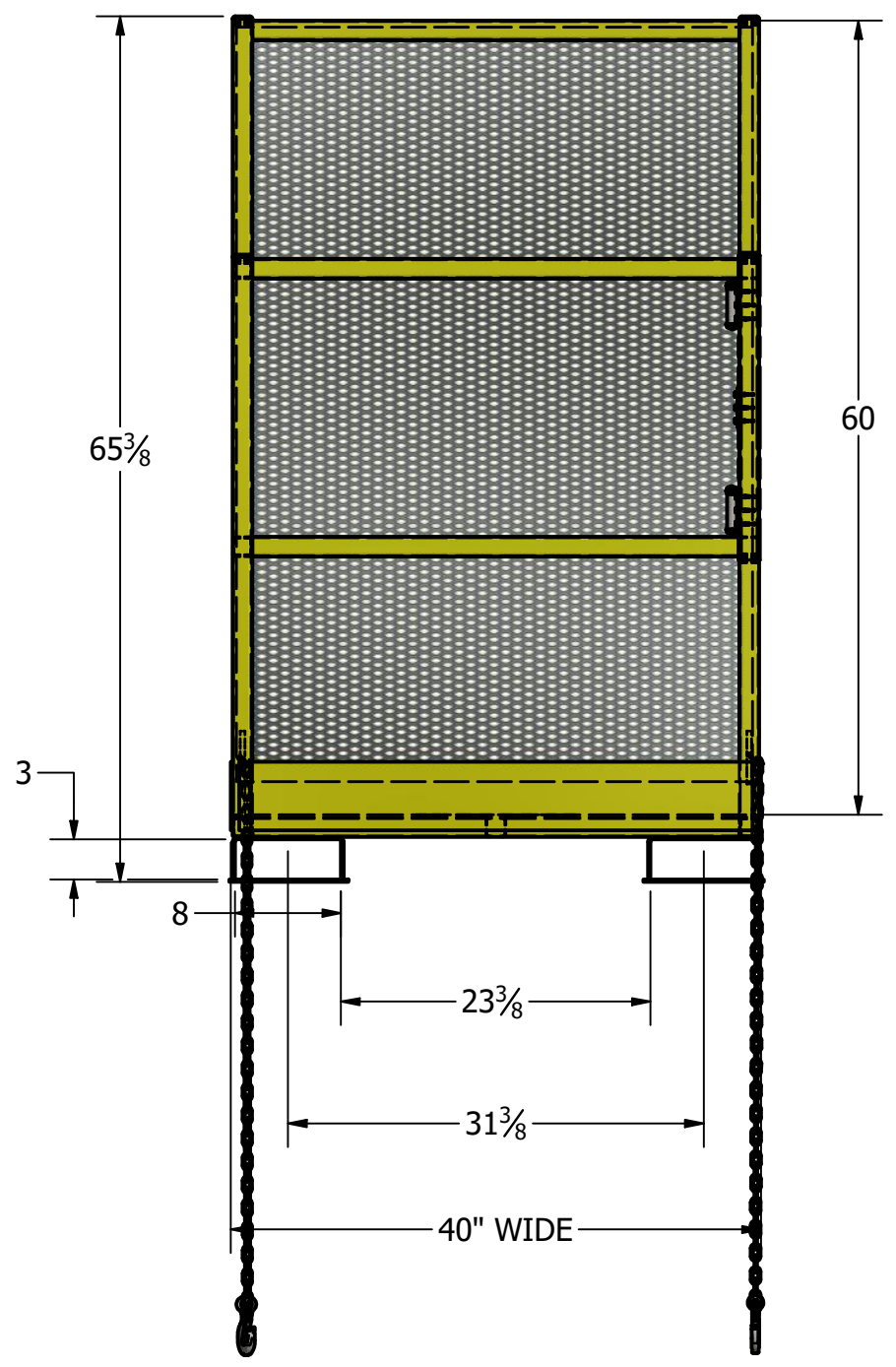
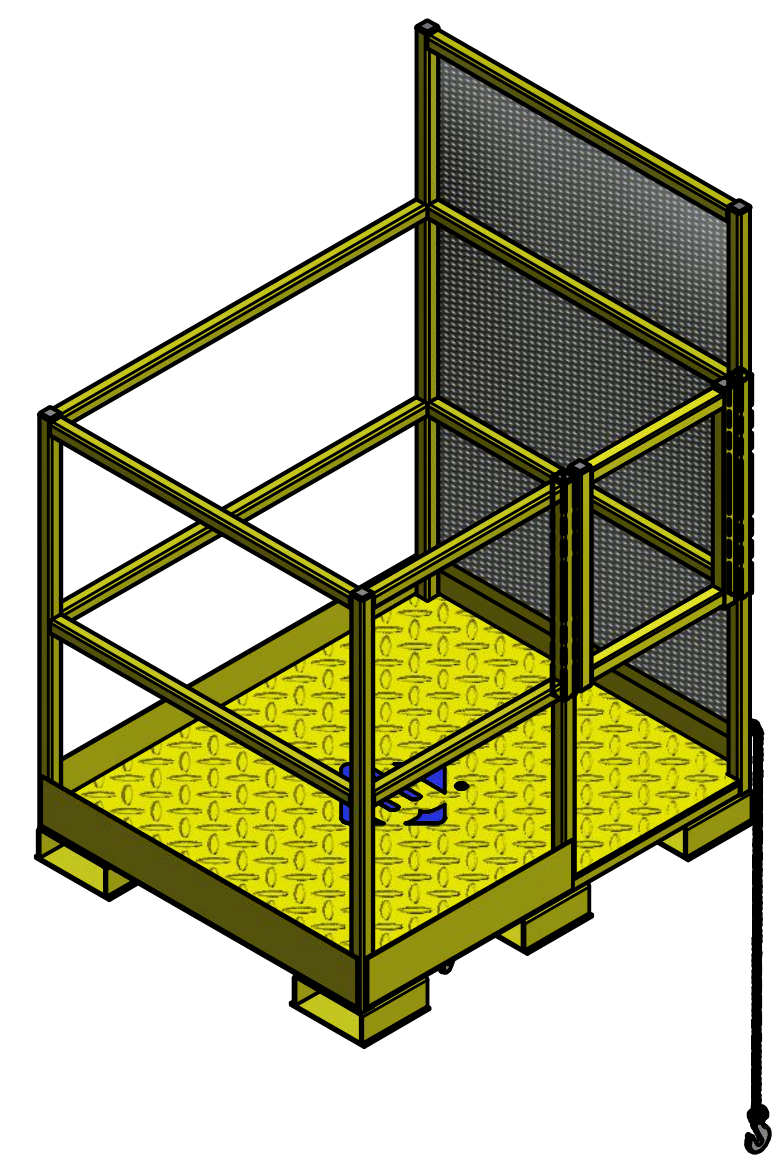
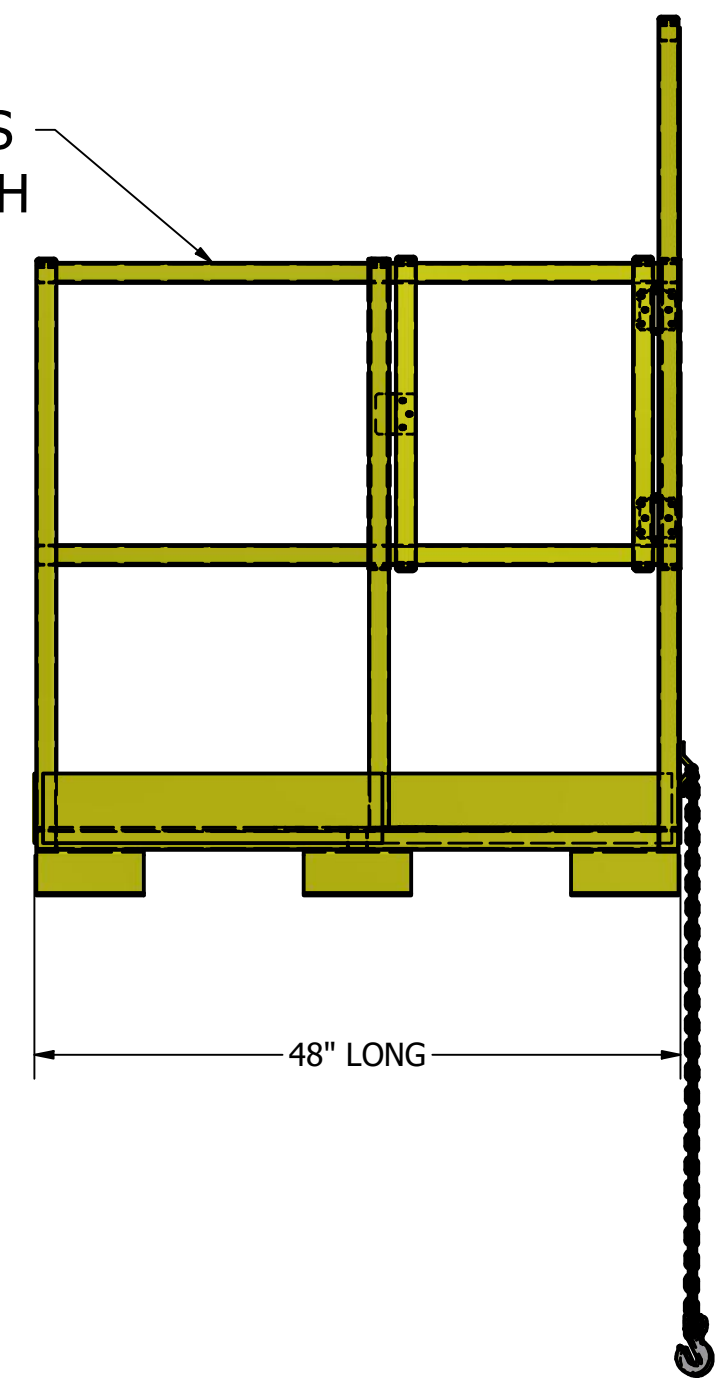


4 3 2 1

D
C
B
A



ALL HANDRAILS ARE 42" HIGH



APPROVAL BLOCK

_____ APPROVED AS IS FOR MANUFACTURING.

_____ APPROVED AS IS FOR MANUFACTURING WITH REVISIONS NOTED.

_____ REVISE AS NOTED AND RESUBMIT.

INITIAL

****NOTE: MANUFACTURING WILL NOT COMMENCE UNTIL THE SIGNED APPROVAL DRAWING IS RECEIVED BY BLUFF MANUFACTURING.****

SIGNATURE

DATE

This drawing and data contained herein, are the sole property of Bluff Manufacturing. This information is considered confidential and subject to return on demand. This drawing and contents cannot be reproduced or given to a 3rd party without the written consent of an authorized representative of Bluff. The sole intent of this drawing and data is to establish a written approval agreement between Bluff and customer for Bluff to proceed with manufacturing defined herein. Accepting this drawing in hardcopy, or any form of electronic communication, will be considered a binding agreement to these terms.

TOLERANCE SPECIFICATION (Unless Noted Otherwise)		DRAWN: AQS	DATE:	BLUFF Manufacturing 9201 SOUTH FREEWAY FORT WORTH, TEXAS 76140	
DIMENSION UNITS: (inches)		CHECKED:	DATE:		
LINEAR:	ANGLE:	SO #:	CUSTOMER:	Safety Cage	
0.X ± 0.06 (1/16")	∠ ± 0.5°	QTY: 1	ESTIMATED WEIGHT: N/A		
0.XX ± 0.03 (1/32")		FINISH - PREPARATION:	FINISH - APPLICATION:	SIZE C	DWG NO SG4048
0.XXX ± 0.010		FINISH - COLOR:			REV
WELD: +0.06/-0.00, —				SHEET 1 OF 1	
REMOVE BURRS AND SHARP CORNERS					

4 3 2 1